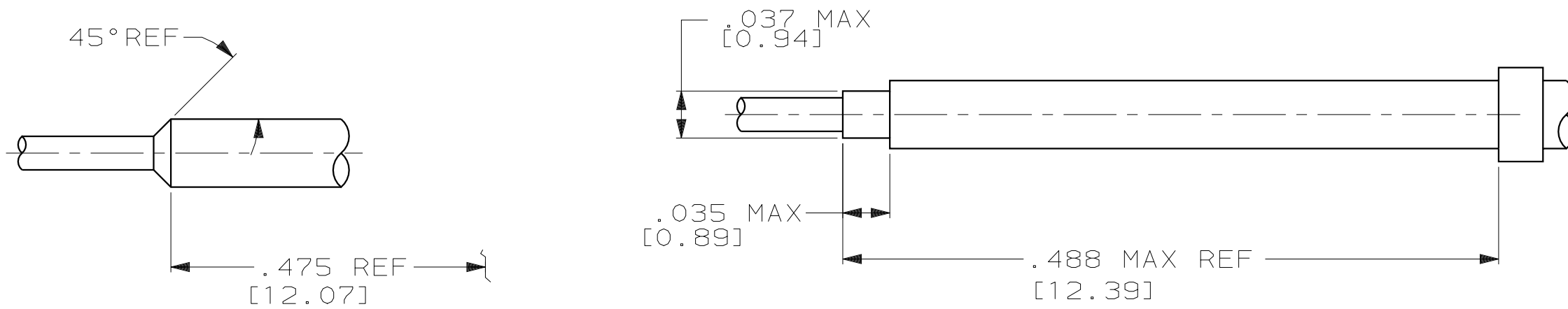
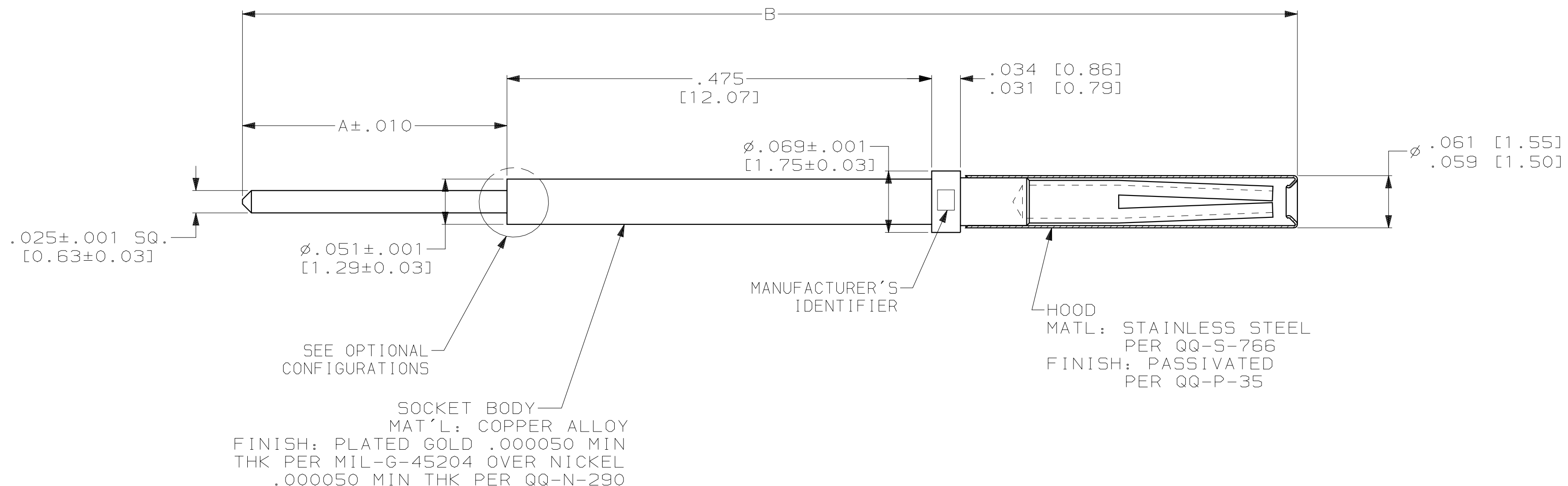


THIS DRAWING IS UNPUBLISHED. RELEASED FOR PUBLICATION
 © COPYRIGHT 19 BY AMP INCORPORATED. ALL INTERNATIONAL RIGHTS RESERVED.

LOC	DIST	P	F	ZONE	LTR	DESCRIPTION	DATE	APPD
DF	AO				G	REV PER 0H14-0053-03 CT	4-1-04	SG



1.425 ± .015 [36.20 ± 0.38]	.539 [13.69]	208215-3
1.295 ± .015 [32.89 ± 0.38]	.409 [10.39]	208215-2
1.175 ± .015 [29.85 ± 0.38]	.289 [7.34]	208215-1
B DIM	A DIM	PART NO.

OPTIONAL CONFIGURATIONS

DO NOT SCALE PRINT. UNLESS SPECIFIED DIMENSIONS IN INCHES [mm] TOLERANCES ON : 2 PLC DEC ± - 3 PLC DEC ± .005 [0.13] ANGLES ± -	DR 5-1-91 C.C. THOMAS	AMP Incorporated Harrisburg, PA 17105-3608	
SEE CALLOUTS	CHK 4-22-96 A. SHARPE		
MATERIAL	APPD 4-22-96 A. SHARPE	NAME	
SEE CALLOUTS	APPD 4-22-96 C.C. THOMAS	ASSY, CONTACT, SOCKET, POSTED, ARINC 600	
FINISH	PRODUCT SPEC	SIZE	CAGE CODE
SEE CALLOUTS	APPLICATION SPEC	SCALE	DRAWING NO
	WEIGHT	10:1	208215
			SHEET 1 OF 1

单击下面可查看定价，库存，交付和生命周期等信息

[>>TE Connectivity\(泰科\)](#)