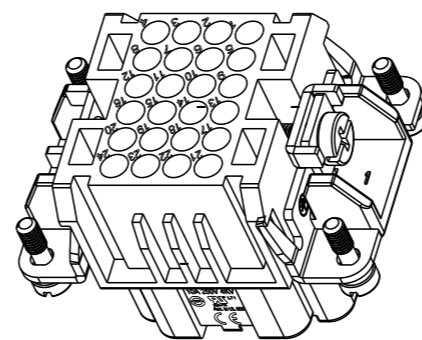
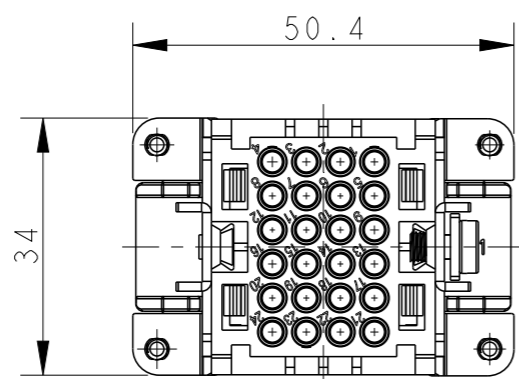


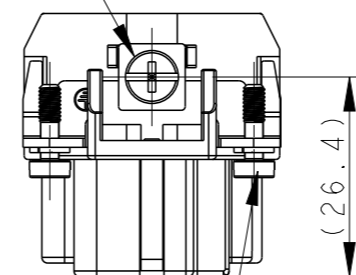
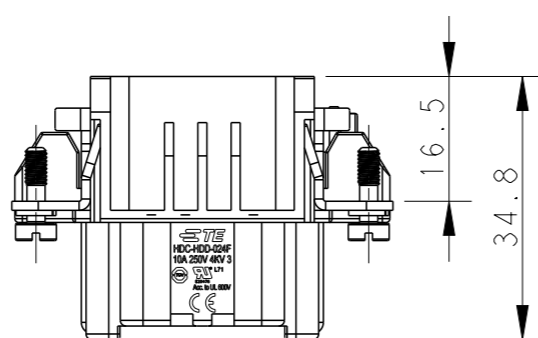
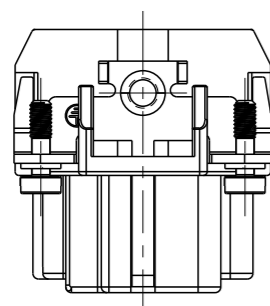
THIS DRAWING IS UNPUBLISHED. RELEASED FOR PUBLICATION 20
 © COPYRIGHT 20 BY - ALL RIGHTS RESERVED.

REVISIONS

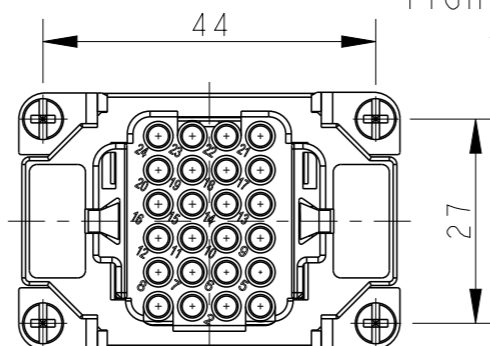
P	LTR	DESCRIPTION	DATE	DWN	APVD
B		ECR-15-013292	24SEP2015	DL	CW
B1		ECR-16-015492	15NOV2016	OY	CW
C		ECR-21-105887	26JUL2021	BS	CW
D		ECR-22-150866	23SEP2022	DL	CW



M4 SCREW RECOMMENDED
 TIGHTENING TORQUE 1.2Nm
 M4 螺丝, 推荐锁紧力矩1.2Nm



4X M3 SCREW RECOMMENDED
 TIGHTENING TORQUE 0.5Nm
 4X M3螺丝, 推荐锁紧力矩0.5Nm

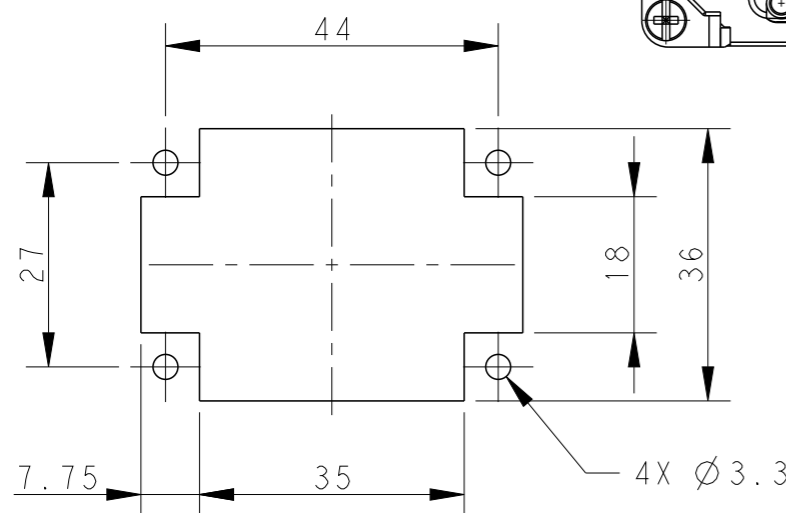


NOTES:

- TECHNICAL CHARACTERISTICS:
 INSULATION MATERIAL: PC
 RATED VOLTAGE: 250 V
 RATED CURRENT: 10 A
 INSULATION RESISTANCE: $\geq 400M\Omega$
 RATED IMPULSE VOLTAGE: 4 KV
 POLLUTION DEGREE: 3
 FLAMMABILITY: UL94V-0
 MATING CYCLES: 500 CYCLES
 WIRE RANGE: 0.14-2.5 mm² (26-14 AWG)
 CONTACT TYPE: CRIMP CONTACT
- CONTACT NEED TO BE ORDERED SEPARATELY.
 (ORDER No. REFER TO DRAWING: T20200X20XX000)

注释:

- 技术参数:
 绝缘材料: PC
 额定电压: 250V
 额定电流: 10A
 绝缘电阻: $\geq 400M\Omega$
 额定脉冲电压: 4 KV
 污染等级: 3
 阻燃等级: UL94V-0
 插拔次数: 500次
 接线范围: 0.14-2.5 mm² (26-14 AWG)
 接线类型: 冷压接
- 端子需要单独订购.
 (订货号参考图面: T20200X20XX000)



TYPE-1, T2030242201-000, TE LOGO
 类型-1, T2030242201-000, TE LOGO

PANEL CUT OUT FOR INSERTS FOR USING
 WITHOUT HOODS/HOUSINGS
 不用防护外壳时芯件的安装开孔图

THIS DRAWING IS A CONTROLLED DOCUMENT.		DWN DAVID LI 16MAR2015	TE Connectivity	
DIMENSIONS: mm		CHK CHRIS WANG 16MAR2015		
TOLERANCES UNLESS OTHERWISE SPECIFIED:		APVD XU XIANG 16MAR2015	NAME HDD-024-F	
0 PLC ±-		PRODUCT SPEC 108-137043	SIZE A3	
1 PLC ±-		APPLICATION SPEC 114-137043	CAGE CODE -	DRAWING NO. T2030242201000
2 PLC ±-		MATERIAL -	RESTRICTED TO	
3 PLC ±-		FINISH -	SCALE 1:1	SHEET 1 OF 2
4 PLC ±-			CUSTOMER DRAWING	REV D
ANGLES ±-				

4

3

2

1

THIS DRAWING IS UNPUBLISHED.

RELEASED FOR PUBLICATION

20

REVISIONS

© COPYRIGHT 20 BY -

ALL RIGHTS RESERVED.

P	LTR	DESCRIPTION	DATE	DWN	APVD
-	-	SEE SHEET 1	-	-	-


NOTE:
SEE SHEET 1

注释:
见页 1

TYPE-2, T2030242201-002, STAINLESS STEEL SCREW, NO LOGO
类型-2, T2030242201-002, 不锈钢螺丝, 无LOGO

T2030242201-002	HDD-024-F	HDD-024 FEMALE INSERT, CRIMPING SPLIT TYPE, STAINLESS STEEL SCREW, NO LOGO HDD-024 母插, 冷压针分体式, 不锈钢螺丝, 无LOGO	TYPE-2 类型-2
T2030242201-000	HDD-024-F	HDD-024 FEMALE INSERT, CRIMPING SPLIT TYPE HDD-024 母插, 冷压针分体式	TYPE-1 类型-1
PART NUMBER 料号	PART DESCRIPTION 描述		TYPE 类型

ALL DIMENSIONS ARE SAME AS TYPE 1,
EXCEPT THOSE DEFINED IN THIS TYPE.
除了在本类型中定义的尺寸外, 其它尺寸同类型 1

THIS DRAWING IS A CONTROLLED DOCUMENT.		DWN DAVID LI 16MAR2015	 TE Connectivity															
DIMENSIONS: mm		CHK CHRIS WANG 16MAR2015			NAME HDD-024-F													
TOLERANCES UNLESS OTHERWISE SPECIFIED:		APVD XU XIANG 16MAR2015																
<table border="1"> <tbody> <tr> <td>0 PLC</td> <td>±-</td> </tr> <tr> <td>1 PLC</td> <td>±-</td> </tr> <tr> <td>2 PLC</td> <td>±-</td> </tr> <tr> <td>3 PLC</td> <td>±-</td> </tr> <tr> <td>4 PLC</td> <td>±-</td> </tr> <tr> <td>ANGLES</td> <td>±-</td> </tr> </tbody> </table>		0 PLC	±-	1 PLC	±-	2 PLC	±-	3 PLC	±-	4 PLC	±-	ANGLES	±-	PRODUCT SPEC 108-137043	SIZE A3	CAGE CODE -	DRAWING NO T2030242201000	RESTRICTED TO
0 PLC	±-																	
1 PLC	±-																	
2 PLC	±-																	
3 PLC	±-																	
4 PLC	±-																	
ANGLES	±-																	
MATERIAL -	FINISH -	APPLICATION SPEC 114-137043	WEIGHT -	SCALE 1:1		SHEET 2 OF 2	REV D											
CUSTOMER DRAWING																		

1470-19 (3/13)

Downloaded From Onevac.com

单击下面可查看定价，库存，交付和生命周期等信息

[>>TE Connectivity\(泰科\)](#)