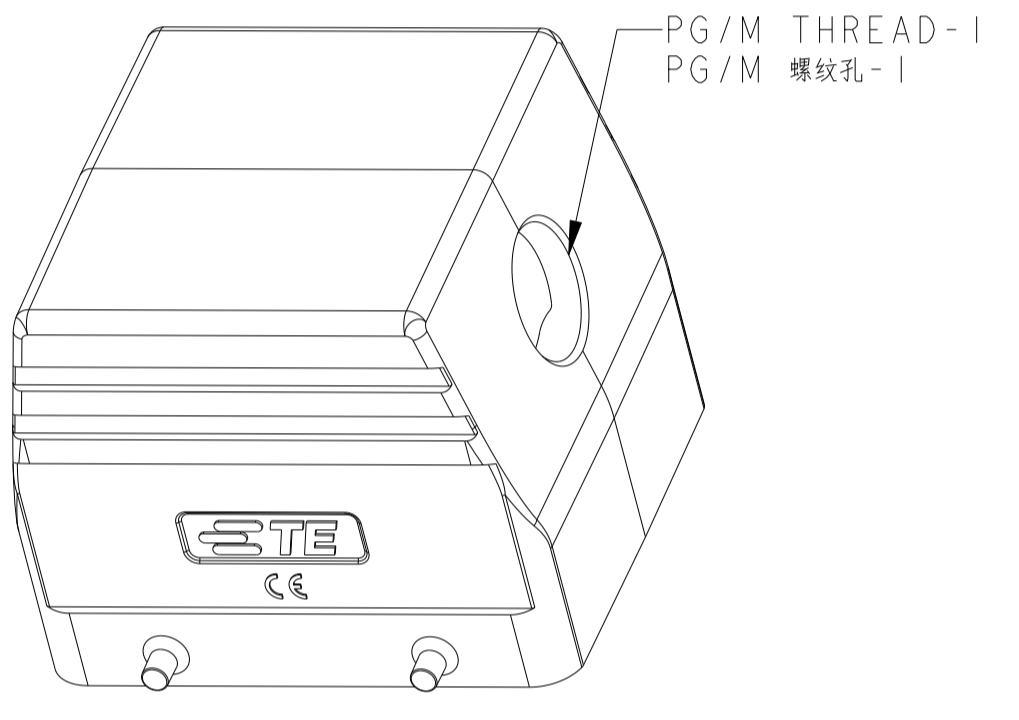
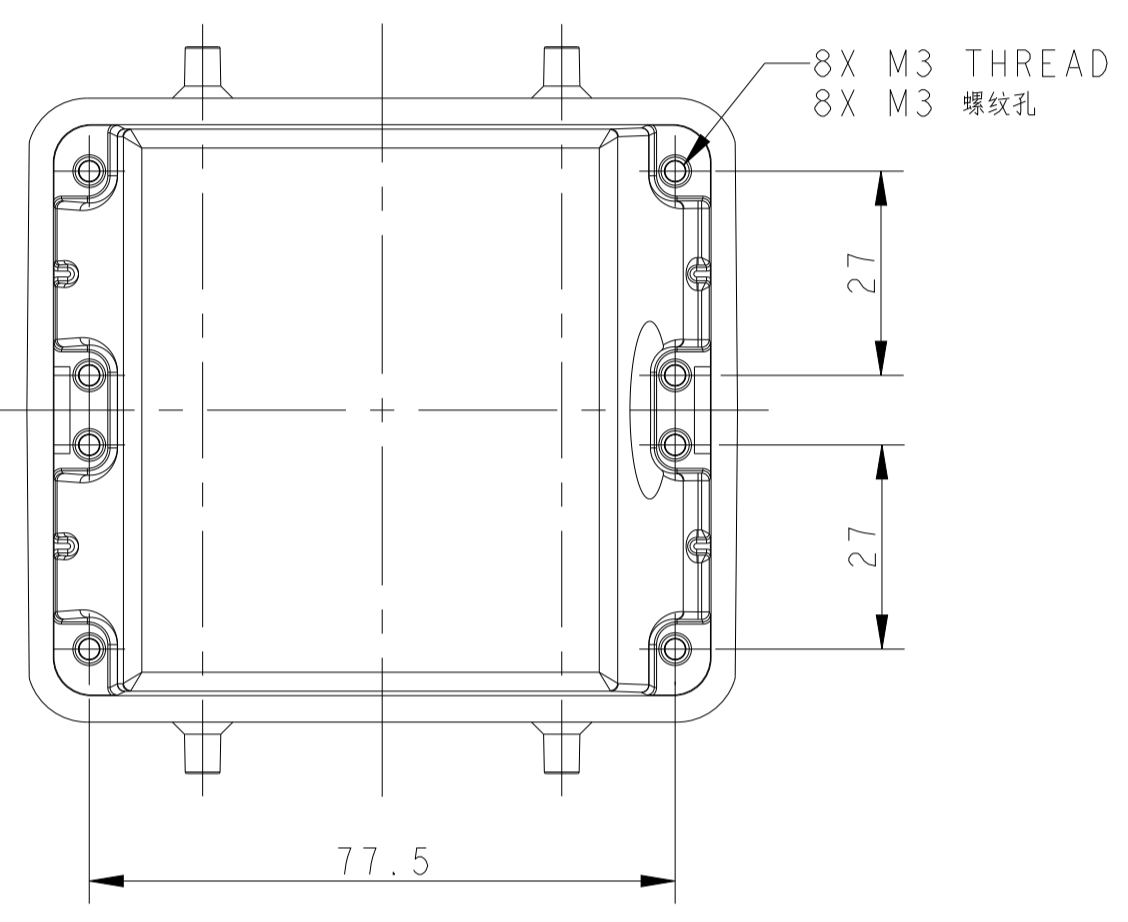
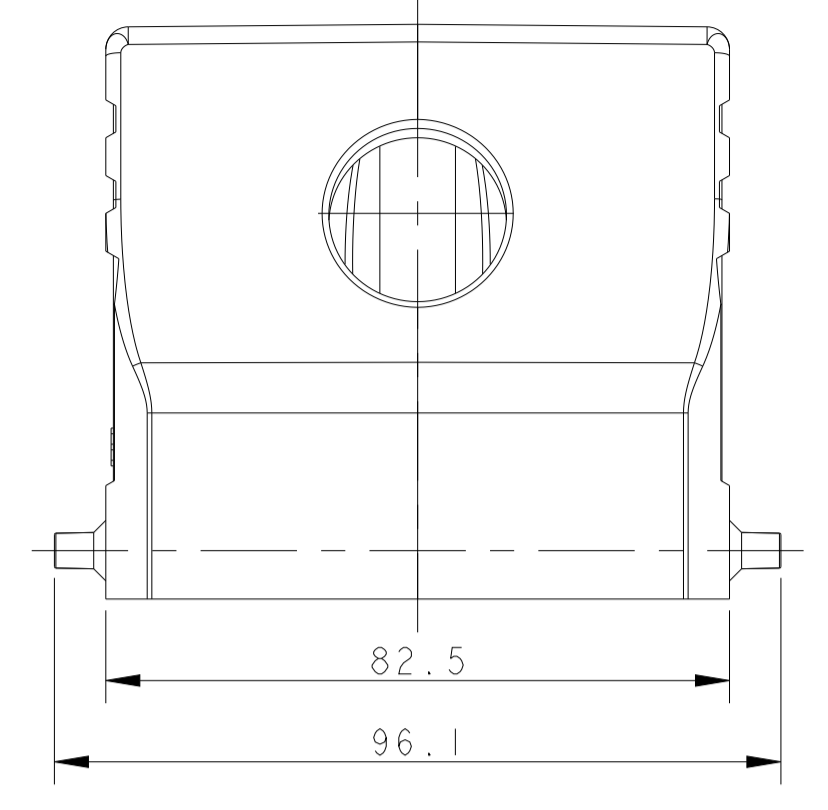
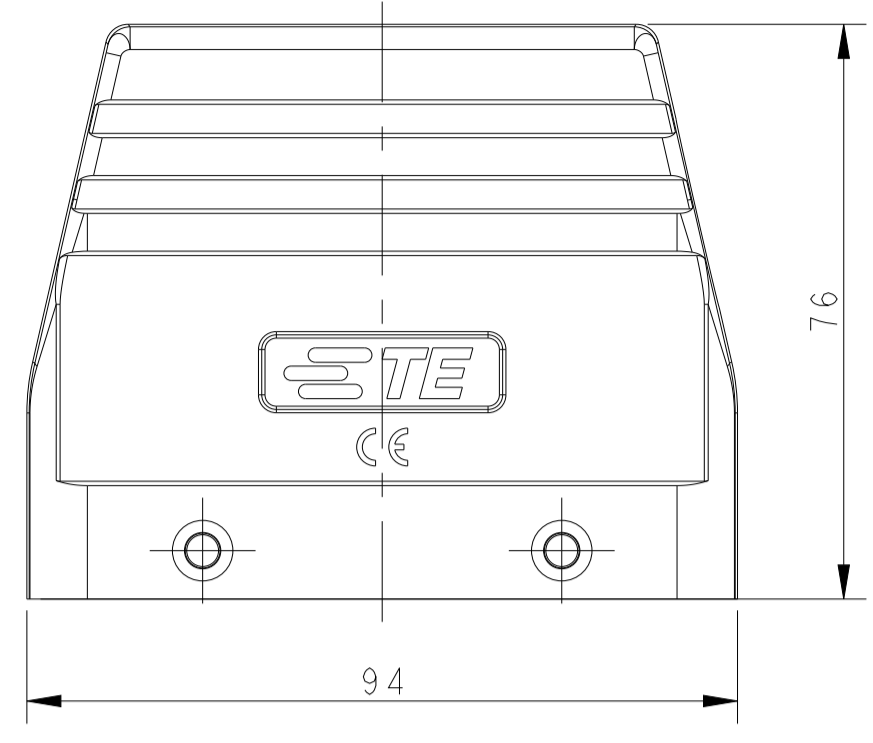
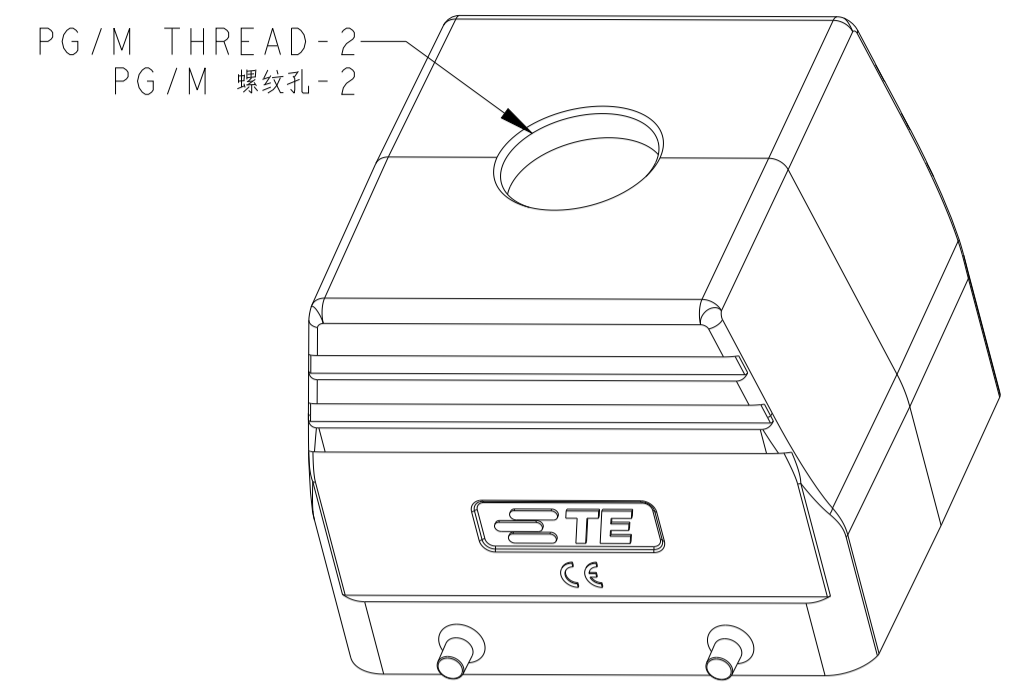


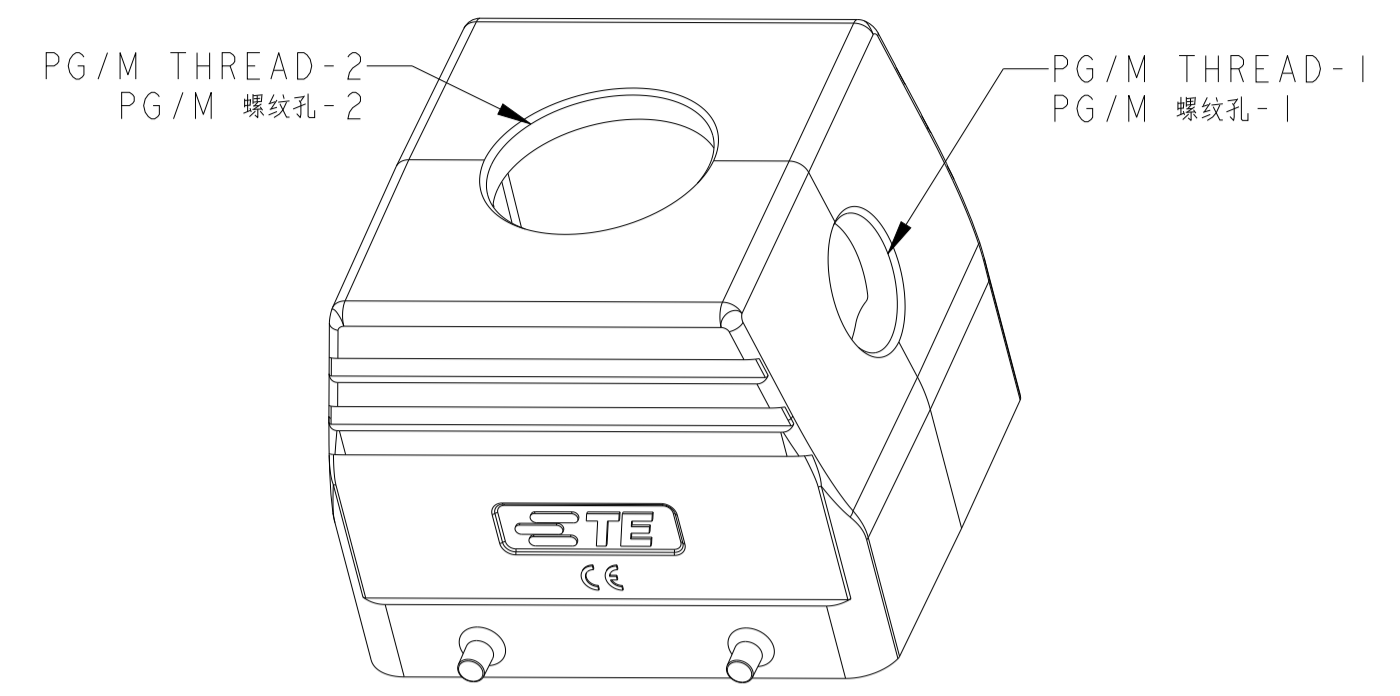
REVISIONS					
P	LTN	DESCRIPTION	DATE	DWN	APVD
A2	ECR-16-013642		05MAY2017	BS	CW
A3	ECR-18-006816		7MAY2018	RG	CW
A4	ECR-18-018974		22NOV2018	WOR	CW
B	ECR-21-109004		12AUG2021	WOR	CW



TYPE 1: H32B HOOD, SIDE ENTRY, 4 EAR
 类型 1: H32B上壳, 侧出, 4耳



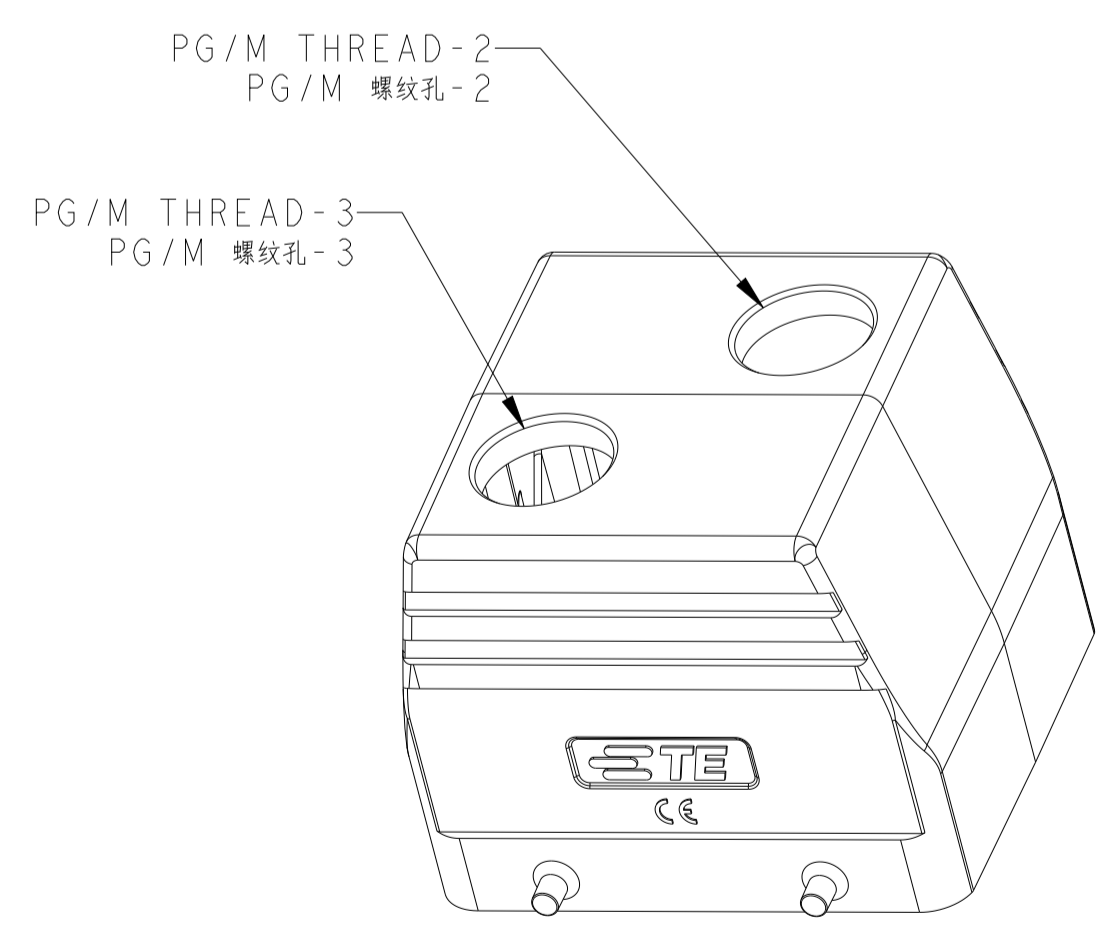
TYPE 2: H32B HOOD, TOP ENTRY, 4 EAR
 OTHER SPEC REFER TO TYPE 1
 类型 2: H32B上壳, 顶出, 4耳
 未注规格参照类型1



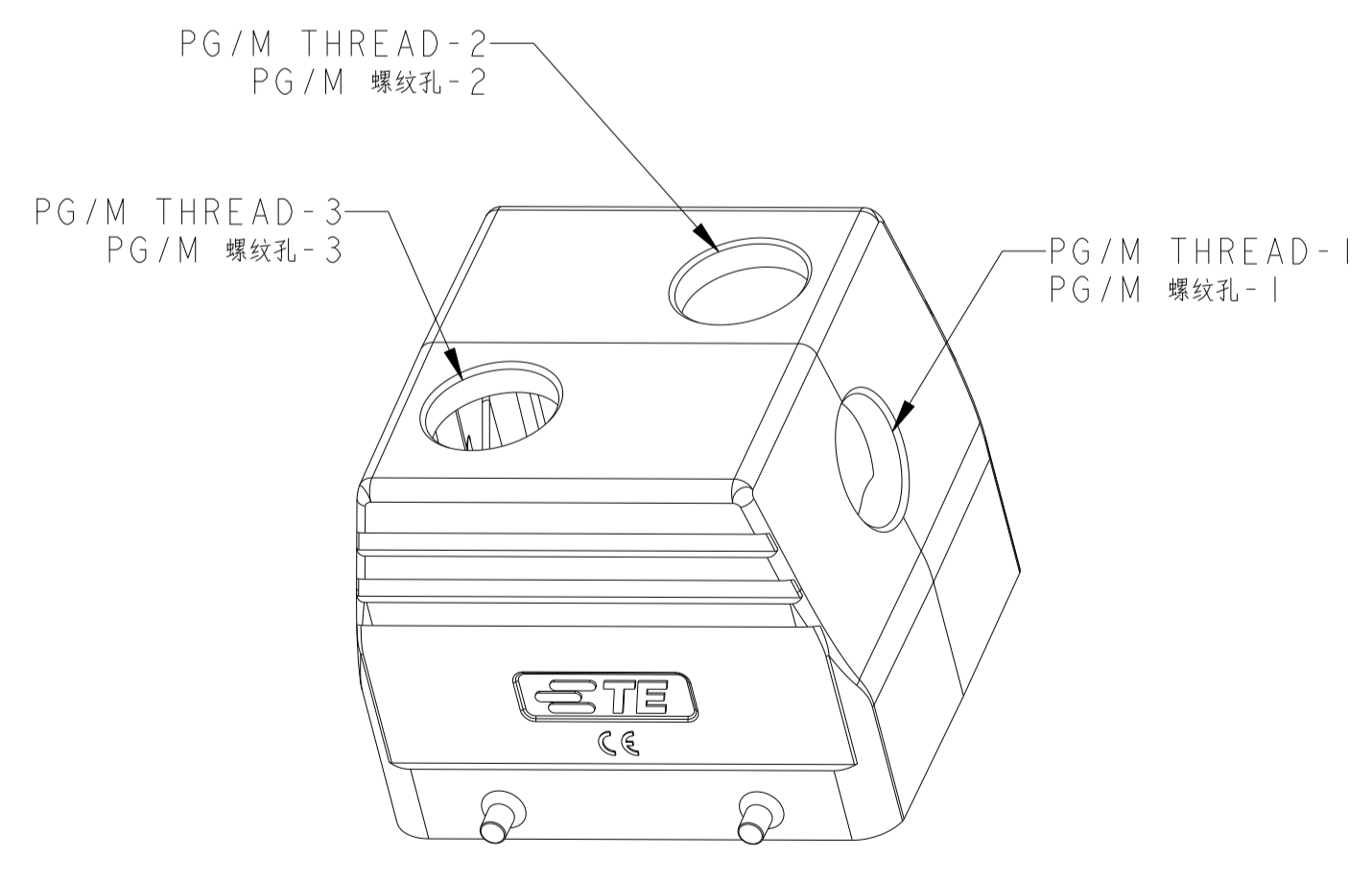
TYPE 3: H32B HOOD, SIDE/TOP ENTRY, 4 EAR
 OTHER SPEC REFER TO TYPE 1 & TYPE 2
 类型 3: H32B上壳, 侧顶出, 4耳
 未注规格参照类型1和类型2

NOTES:
 1. TECHNICAL CHARACTERISTICS:
 BODY MATERIAL: DIE CAST ALUMINIUM ALLOY
 SURFACE TREATMENT: POWDER COATED, GREY
 DEGREE OF PROTECTION: IP65 (MATED)

注释:
 1. 技术参数:
 主体材料: 铝合金
 表面处理: 灰色粉末喷涂
 防护等级: IP65(配合)



TYPE 4: H32B HOOD, TOP ENTRY (2 HOLE), 4 EAR
 OTHER SPEC REFER TO TYPE 1
 类型 4: H32B上壳, 顶出(2孔), 4耳
 未注规格参照类型1



TYPE 5: H32B HOOD, SIDE ENTRY / TOP ENTRY (2 HOLE), 4 EAR
 OTHER SPEC REFER TO TYPE 4
 类型 5: H32B上壳, 侧出/顶出(2孔), 4耳
 未注规格参照类型4

PART NUMBER	PART DESCRIPTION	PG/M THREAD-1	PG/M THREAD-2	PG/M THREAD-3	TYPE
T1210320120-000	H32B-TS-M20 H32B上壳, 侧出M20, 4耳, 灰色粉末喷涂	-	M20	-	TYPE 1 类型 1
T1210320121-000	H32B-TS-PG21 H32B上壳, 侧出PG21, 4耳, 灰色粉末喷涂	-	PG21	-	
T1210320125-000	H32B-TS-M25 H32B上壳, 侧出M25, 4耳, 灰色粉末喷涂	-	M25	-	
T1210320129-000	H32B-TS-PG29 H32B上壳, 侧出PG29, 4耳, 灰色粉末喷涂	-	PG29	-	
T1210320132-000	H32B-TS-M32 H32B上壳, 侧出M32, 4耳, 灰色粉末喷涂	-	M32	-	
T1210320136-000	H32B-TS-PG36 H32B上壳, 侧出PG36, 4耳, 灰色粉末喷涂	-	PG36	-	
T1210320140-000	H32B-TS-M40 H32B上壳, 侧出M40, 4耳, 灰色粉末喷涂	-	M40	-	TYPE 2 类型 2
T1220320121-000	H32B-TG-PG21 H32B上壳, 顶出PG21, 4耳, 灰色粉末喷涂	-	PG21	-	
T1220320125-000	H32B-TG-M25 H32B上壳, 顶出M25, 4耳, 灰色粉末喷涂	-	M25	-	
T1220320129-000	H32B-TG-PG29 H32B上壳, 顶出PG29, 4耳, 灰色粉末喷涂	-	PG29	-	
T1220320132-000	H32B-TG-M32 H32B上壳, 顶出M32, 4耳, 灰色粉末喷涂	-	M32	-	
T1220320136-000	H32B-TG-PG36 H32B上壳, 顶出PG36, 4耳, 灰色粉末喷涂	-	PG36	-	
T1220320140-000	H32B-TG-M40 H32B上壳, 顶出M40, 4耳, 灰色粉末喷涂	-	M40	-	
T1220320142-000	H32B-TG-PG42 H32B上壳, 顶出PG42, 4耳, 灰色粉末喷涂	-	PG42	-	
T1220320148-000	H32B-TG-PG48 H32B上壳, 顶出PG48, 4耳, 灰色粉末喷涂	-	PG48	-	
T1220320150-000	H32B-TG-M50 H32B上壳, 顶出M50, 4耳, 灰色粉末喷涂	-	M50	-	
T1220320163-000	H32B-TG-M63 H32B上壳, 顶出M63, 4耳, 灰色粉末喷涂	-	M63	-	
T1220320134-000	H32B-TG-G3/4 H32B上壳, 顶出G3/4, 4耳, 灰色粉末喷涂	-	G3/4	-	
T1200320240-000	H32B-TG/S-2M40 H32B上壳, 侧/顶出M40, 4耳, 灰色粉末喷涂	M40	M40	-	TYPE 3 类型 3
T1200322921-000	H32B-TS/TG-PG29/PG21 H32B上壳, 侧出PG21, 顶出PG29, 4耳, 灰色粉末喷涂	PG29	PG21	-	TYPE 4 类型 4
T1220320225-000	H32B-TG-2M25 H32B上壳, 顶出2M25, 4耳, 灰色粉末喷涂	-	M25	M25	TYPE 5 类型 5
T1220320325-000	H32B-TG-3M25 H32B上壳, 顶出3M25, 4耳, 灰色粉末喷涂	M25	M25	M25	TYPE 5 类型 5

THIS DRAWING IS A CONTROLLED DOCUMENT.

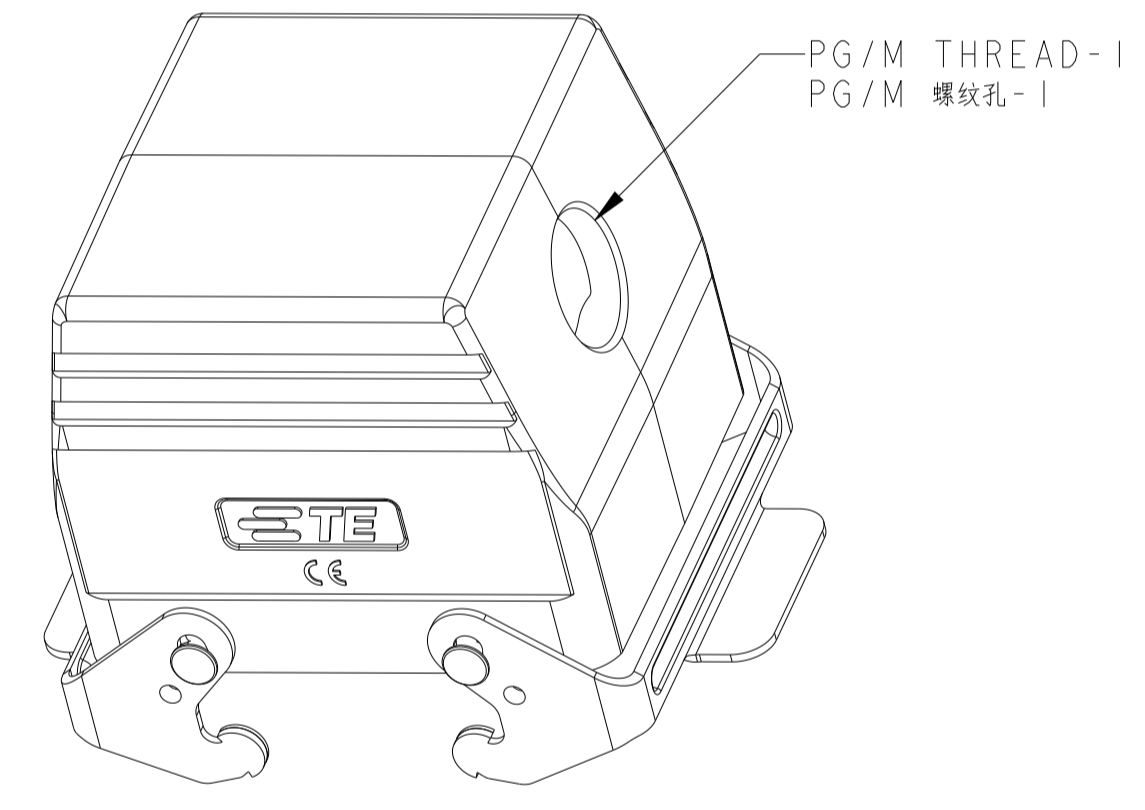
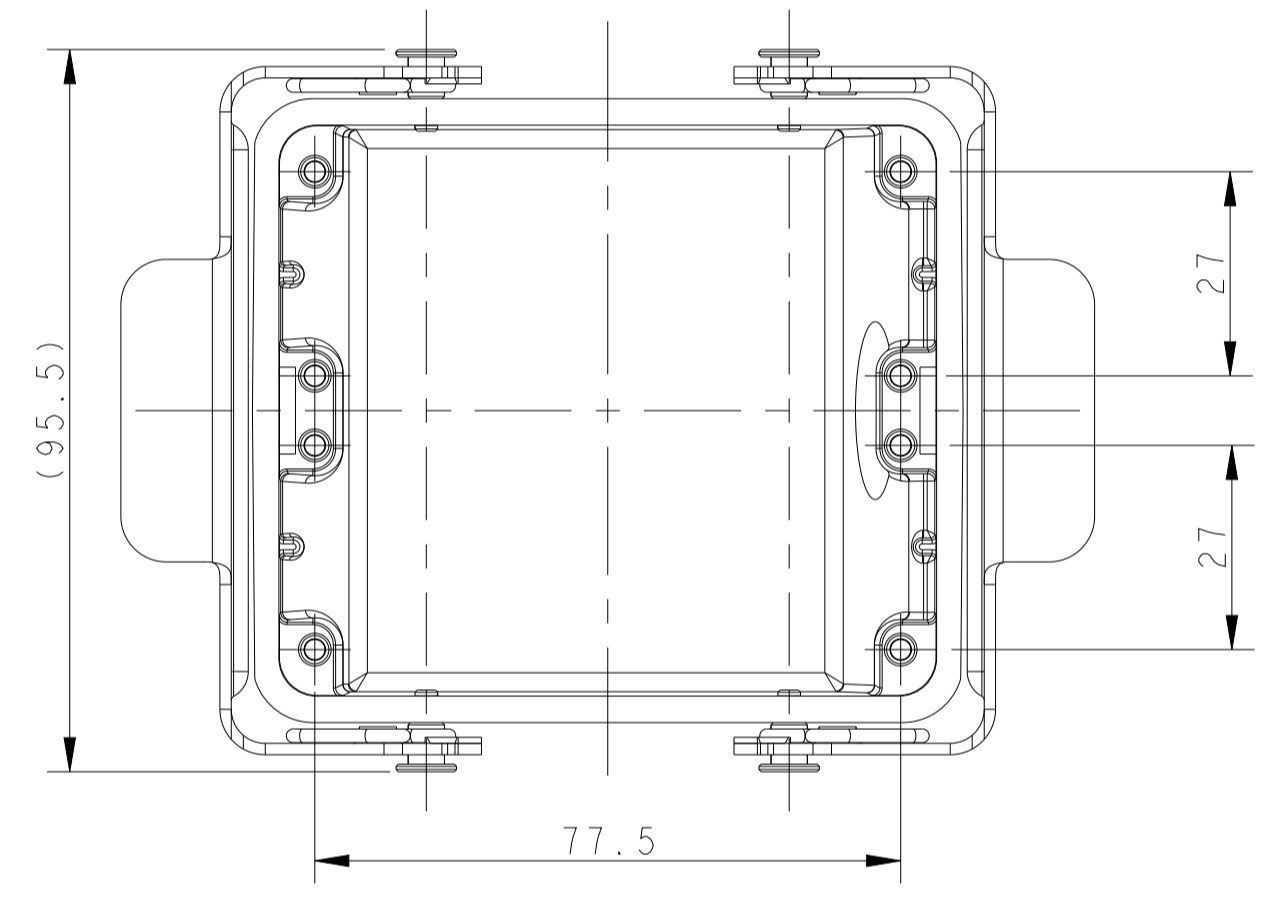
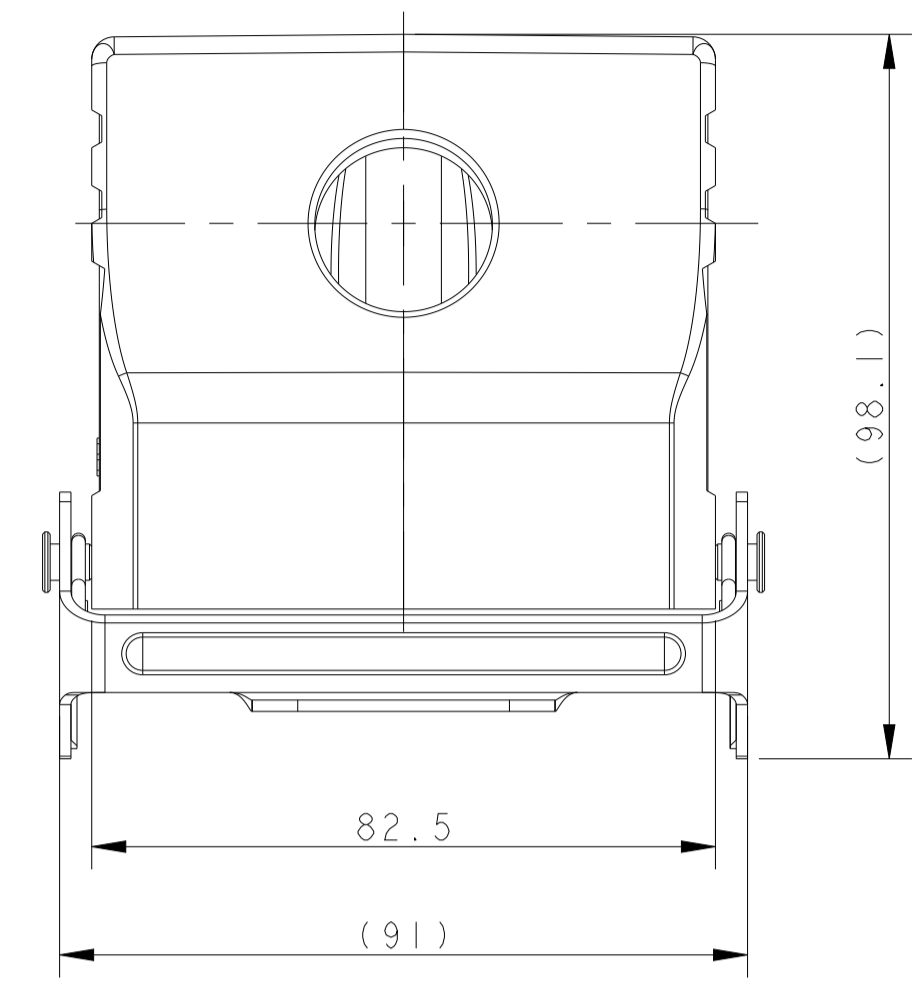
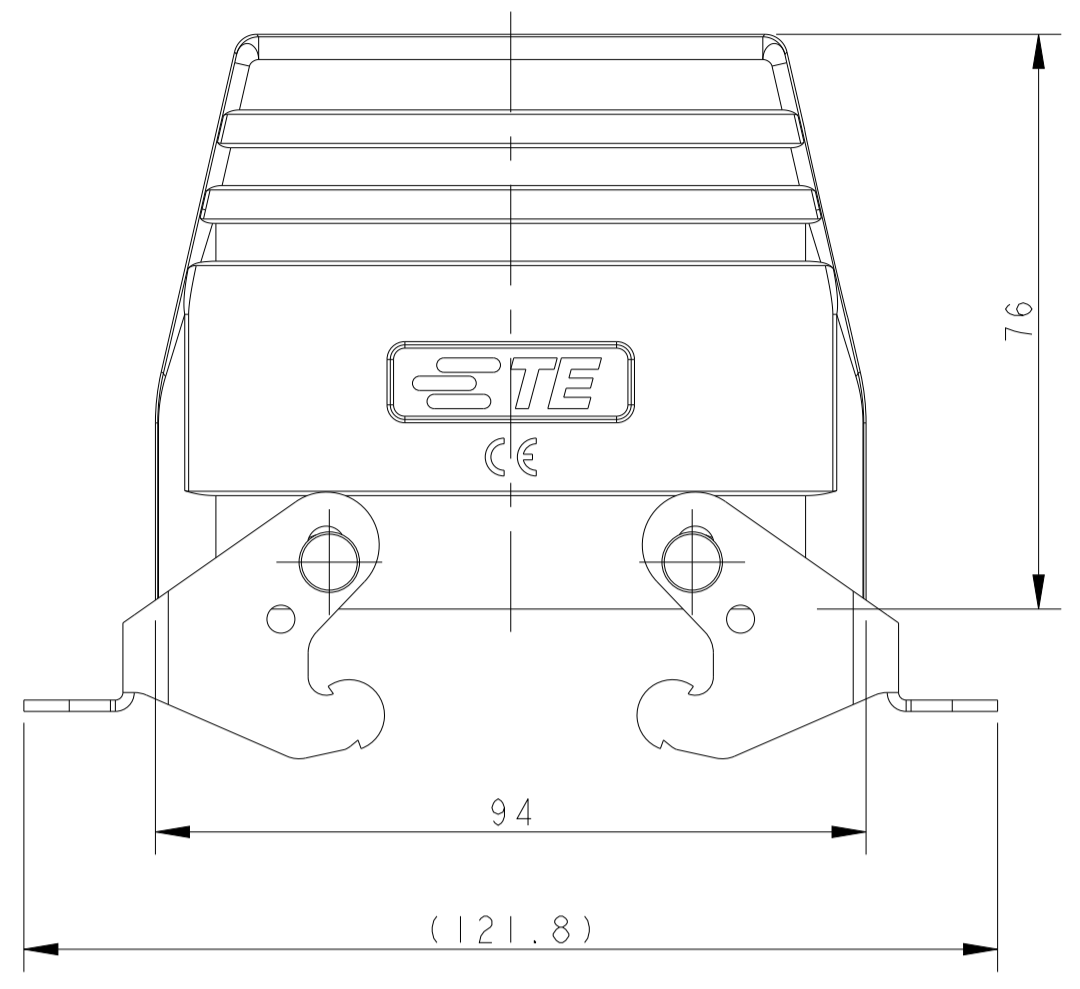
DAVID LI 02JUN2015
 CHRIS WANG 02JUN2015
 XU XIANG 02JUN2015

NAME: H32B-TS/TG/TSB/TGB-PG/M

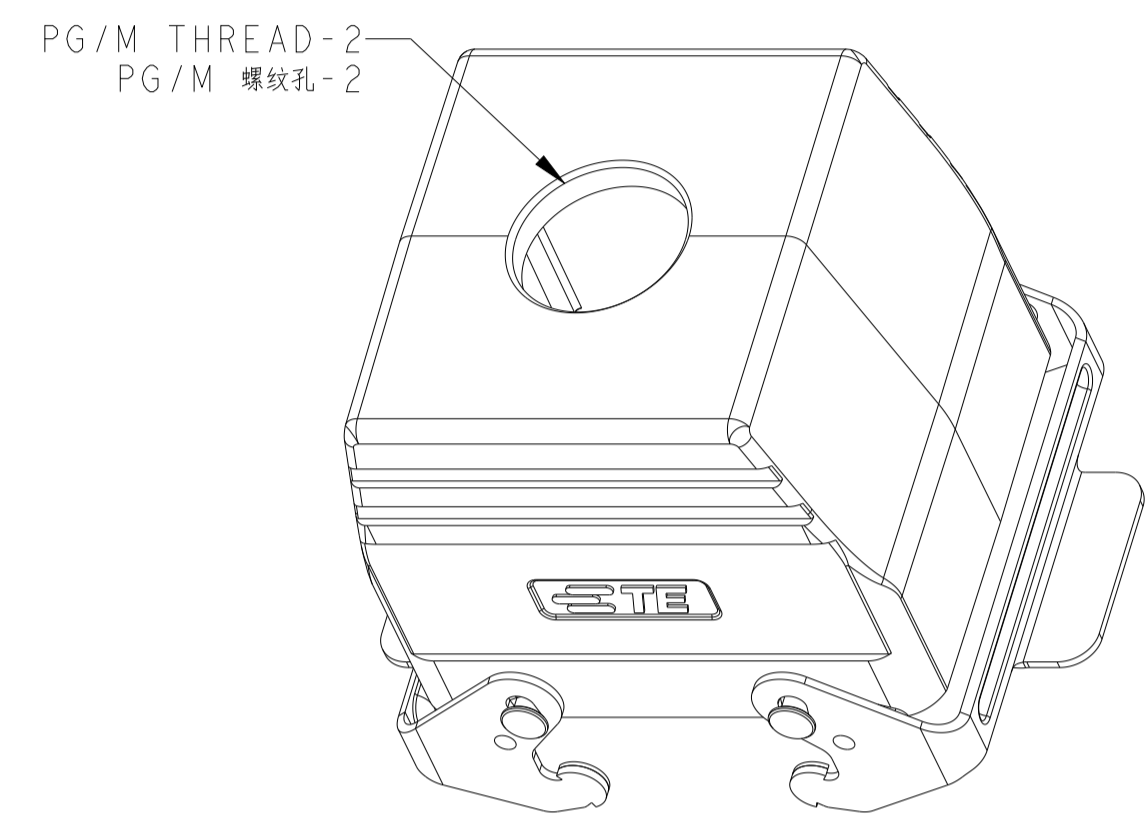
SIZE: A1 CAGE CODE: - DRAWING NO: C-T12X032XXXX000

SCALE: 1:1 SHEET 1 OF 2 REV B

REVISIONS				
P	LTN	DESCRIPTION	DATE	APVD
-	-	SEE SHEET 1	-	-



TYPE 6: H32B HOOD, SIDE ENTRY, WITH DOUBLE STEEL LOCKING
 类型 6: H32B上壳, 侧出, 彩锌双扣



TYPE 7: H32B HOOD, TOP ENTRY, WITH DOUBLE STEEL LOCKING
 OTHER SPEC REFER TO TYPE 6
 类型 7: H32B上壳, 顶出, 彩锌双扣
 未注规格参照类型6

PART NUMBER	料号	PART DESCRIPTION	描述	PG/M THREAD-1 PG/M 螺纹孔-1	PG/M THREAD-2 PG/M 螺纹孔-2	TYPE 类型
T1250322121-000	H32B-TSB-PG21	H32B HOOD, SIDE ENTRY PG21, METAL DOUBLE LOCKING, POWDER COATED, GREY	H32B上壳, 侧出PG21, 彩锌双扣, 灰色粉末喷涂	PG21	-	TYPE 6
T1250322129-000	H32B-TSB-PG29	H32B HOOD, SIDE ENTRY PG29, METAL DOUBLE LOCKING, POWDER COATED, GREY	H32B上壳, 侧出PG29, 彩锌双扣, 灰色粉末喷涂	PG29	-	
T1250322132-000	H32B-TSB-M32	H32B HOOD, SIDE ENTRY M32, METAL DOUBLE LOCKING, POWDER COATED, GREY	H32B上壳, 侧出M32, 彩锌双扣, 灰色粉末喷涂	M32	-	
T1260320132-000	H32B-TGB-M32	H32B HOOD, TOP ENTRY M32, METAL DOUBLE LOCKING, POWDER COATED, GREY	H32B上壳, 顶出M32, 彩锌双扣, 灰色粉末喷涂	-	M32	TYPE 7
T1260320136-000	H32B-TGB-PG36	H32B HOOD, TOP ENTRY PG36, METAL DOUBLE LOCKING, POWDER COATED, GREY	H32B上壳, 顶出PG36, 彩锌双扣, 灰色粉末喷涂	-	PG36	
T1260320140-000	H32B-TGB-M40	H32B HOOD, TOP ENTRY M40, METAL DOUBLE LOCKING, POWDER COATED, GREY	H32B上壳, 顶出M40, 彩锌双扣, 灰色粉末喷涂	-	M40	
T1260322121-000	H32B-TGB-PG21	H32B HOOD, TOP ENTRY PG21, METAL DOUBLE LOCKING, POWDER COATED, GREY	H32B上壳, 顶出PG21, 彩锌双扣, 灰色粉末喷涂	-	PG21	
T1260322129-000	H32B-TGB-PG29	H32B HOOD, TOP ENTRY PG29, METAL DOUBLE LOCKING, POWDER COATED, GREY	H32B上壳, 顶出PG29, 彩锌双扣, 灰色粉末喷涂	-	PG29	

THIS DRAWING IS A CONTROLLED DOCUMENT. DIMENSIONS: mm. TOLERANCES UNLESS OTHERWISE SPECIFIED: 0 PLC ±, 1 PLC ±, 2 PLC ±, 3 PLC ±, 4 PLC ±, ANGLES FINISH ±.

OWN: DAVID LI 02JUN2015
 CHK: CHRIS WANG 02JUN2015
 APVD: YU XIANG 02JUN2015

NAME: H32B-TS/TG/TSB/TGB-PG/M

SIZE: A1, SCALE: 1:1, SHEET: 2 OF 2, REV: B

TE Connectivity

单击下面可查看定价，库存，交付和生命周期等信息

[>>TE Connectivity\(泰科\)](#)