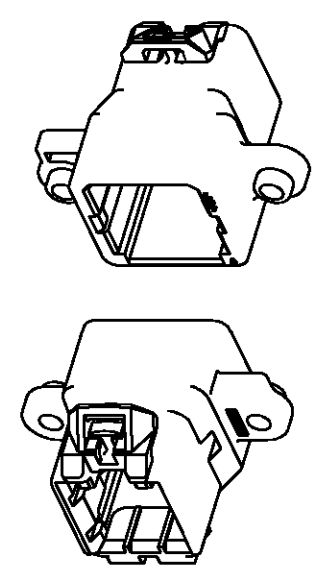
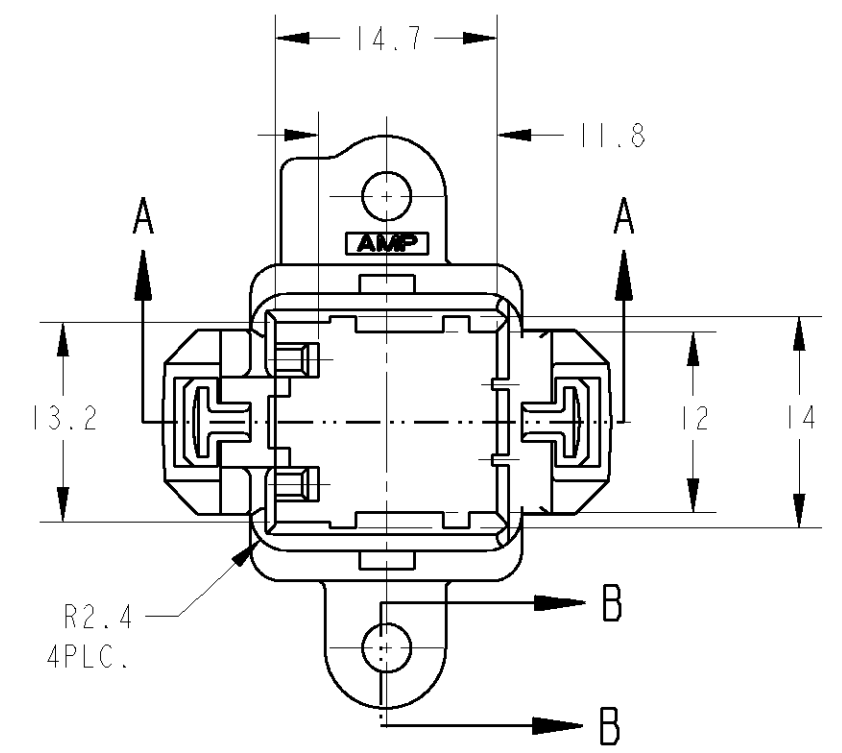
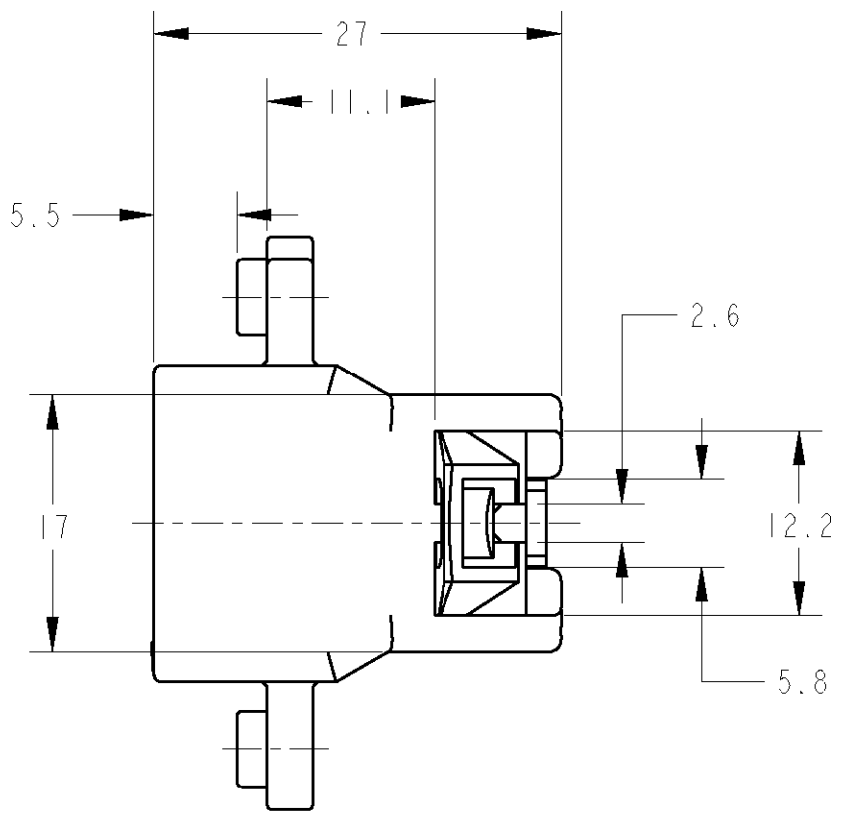
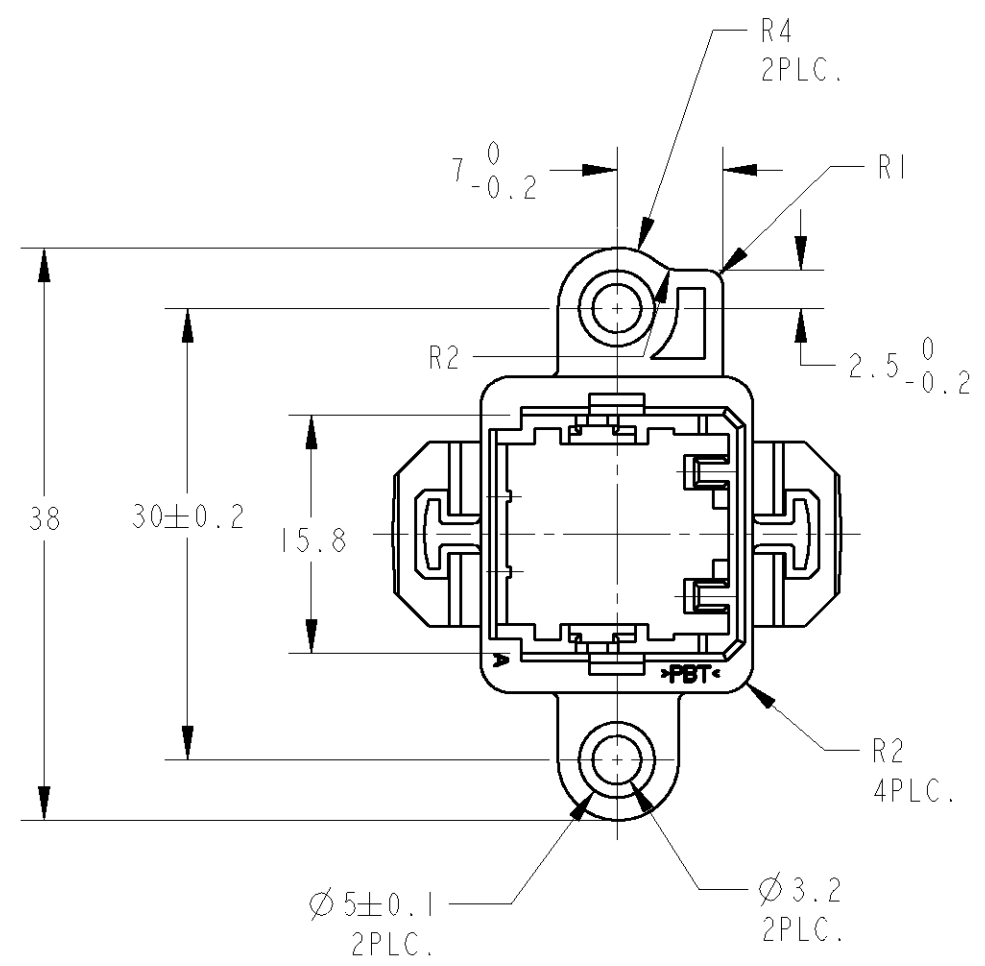
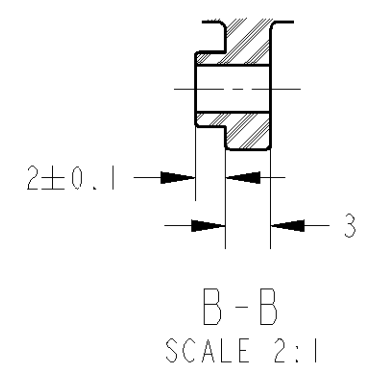
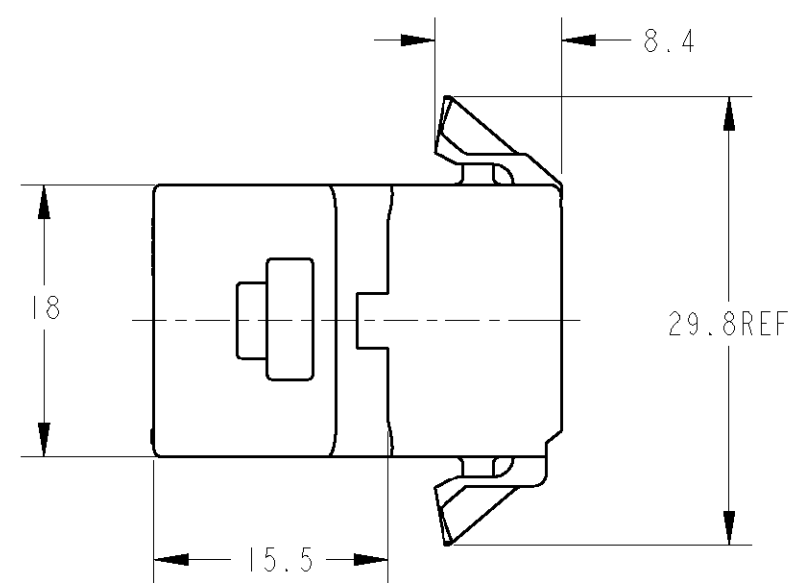
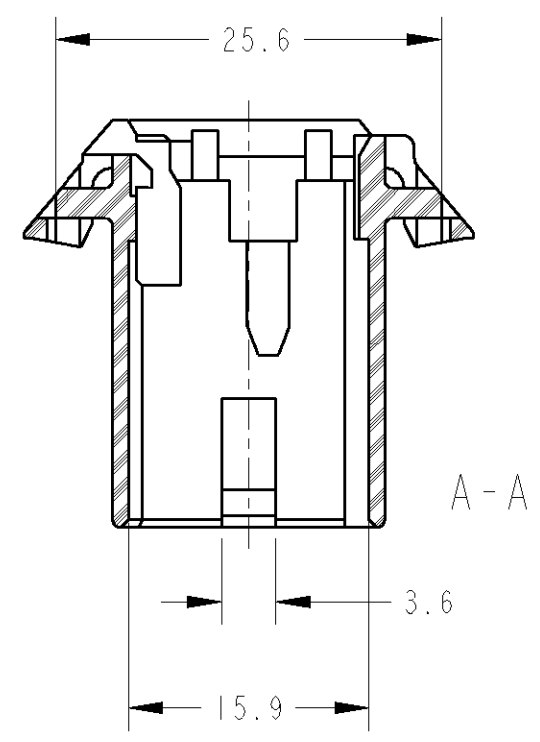


THIS DRAWING IS UNPUBLISHED. RELEASED FOR PUBLICATION
 © COPYRIGHT - BY TYCO ELECTRONICS CORPORATION. ALL RIGHTS RESERVED.

LOC	DIST	REVISIONS						
		P	LTR	DESCRIPTION	ECN	DATE	DWN	APVD
J	-		0	RELEASED	FJ00-1945-01	12OCT01	ET	KA
			A	REVISED	FJ00-2476-01	24OCT01	ET	KA



SCALE 1:1



B-B
SCALE 2:1

- 1. THE MATING INNER HOUSING
PART NUMBER ; 1473866
- 2. PACKING STYLE ; INNER - BLISTER
OUTER - PAPER BOX
- 1. 相手ハウジング型番 ; 1473866
- 2. 梱包形態 ; 内装 - フリスター
外表 - タンボール

NATURAL (WHITE)	1473867-1
COLOR 色	PART NUMBER 製品型番

THIS DRAWING IS A CONTROLLED DOCUMENT FOR TYCO ELECTRONICS CORPORATION
 IT IS SUBJECT TO CHANGE AND THE CONTROLLING ENGINEERING ORGANIZATION
 SHOULD BE CONTACTED FOR THE LATEST REVISION.

DIMENSIONS: 単位: 毫 mm	TOLERANCES UNLESS OTHERWISE SPECIFIED: ±0.3
	0 PLC ±
	1 PLC ±0.1
	2 PLC ±0.01
	3 PLC ±0.001
	4 PLC ±
	ANGLES ±3°00'
MATERIAL 材料 PBT	FINISH 仕上 -

DWN	E. TAKIZAWA	12OCT01
CHK	Y. FUJIWALA	12OCT01
APVD	K. ASAI	12OCT01
PRODUCT SPEC 製品規格	108-5471	
APPLICATION SPEC 取付適用規格		
WEIGHT	4.5 g	

WIRE RANGE 挿合電線断面積		INSULATION DIA 被覆外径	
AMP Tyco Electronics AMP K.K. Kawasaki, Japan			
NAME 名称 040MLC CONNECTOR 8 POSITIONS CAP OUTER HOUSING (2 PIECES)			
SIZE	CAGE CODE	DRAWING NO 番号	RESTRICTED TO
A3	00779	1473867	-
CUSTOMER DRAWING		SCALE 尺度 2:1	SHEET 1 OF 1 REV A

单击下面可查看定价，库存，交付和生命周期等信息

[>>TE Connectivity\(泰科\)](#)