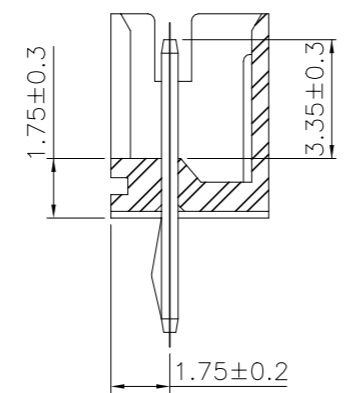
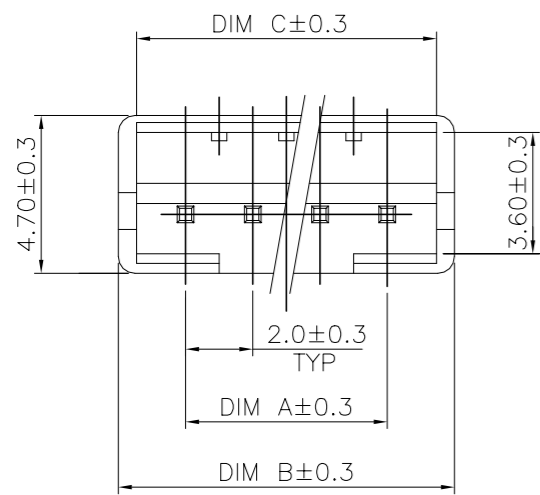
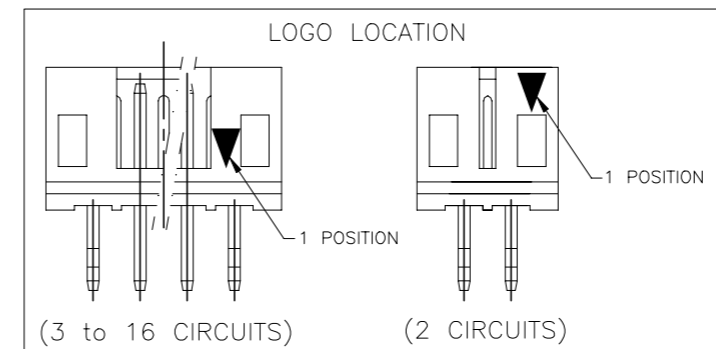
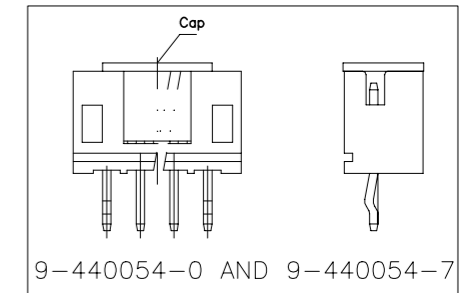


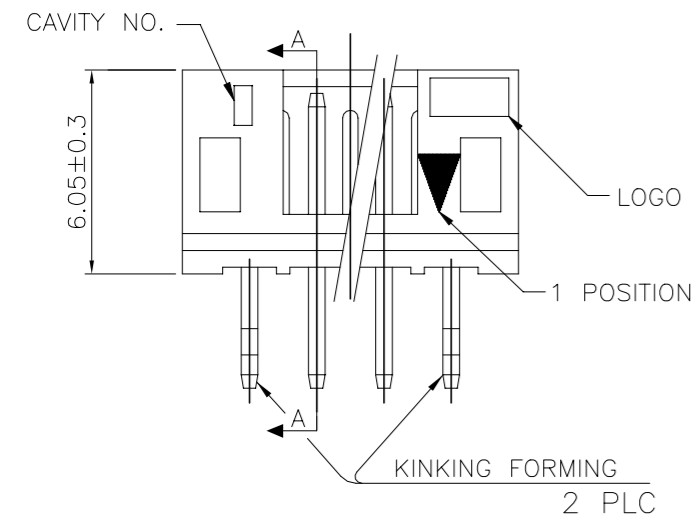
LOC		DIST		REVISIONS					
DW		/		P	LTR	DESCRIPTION	DATE	DWN	APVD
				F8	ECR-20-004633		06APR20	T.Q	W.H



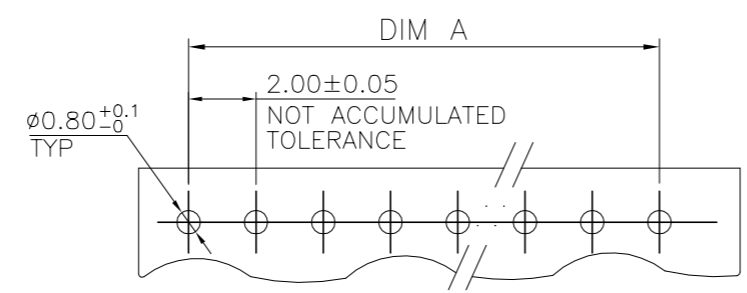
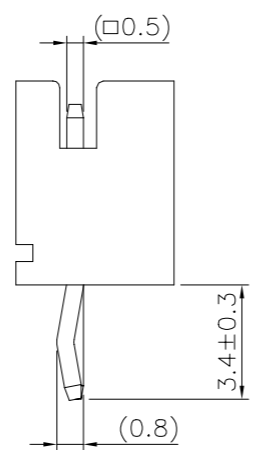
- NOTES:  
 1. MATERIAL:  
 HOUSING: NYLON 66, UL94V-0, COLOR: SEE TABLE.  
 CONTACT: BRASS, THICKNESS=0.50mm.  
 2. FINISH:  
 2.03um[80u"] MIN. BRIGHT-TIN PLATING ON CONTACT.  
 1.27um[50u"] MIN. NICKEL ENTIRE CONTACT UNDERPLATED.  
 3. WAVE SOLDER SPEC REFER TO 108-57100.  
 4. RAISED TYPE PN: 9-440054-2.



OBSOLETE  
OBSOLETE



SEC. A-A



RECOMMENDED PCB LAYOUT (PCB THK=1.0~1.6)

OBSOLETE	RED	10.90	12.00	8.00	5P	8-440054-9
		8.90	10.00	6.00	4P	8-440054-8
6.90		8.00	4.00	3P	8-440054-7	
4.90		6.00	2.00	2P	8-440054-6	
BLACK	10.90	12.00	8.00	5P	6-440054-9	
	8.90	10.00	6.00	4P	6-440054-8	
	6.90	8.00	4.00	3P	6-440054-7	
	4.90	6.00	2.00	2P	6-440054-6	
YELLOW	10.90	12.00	8.00	5P	4-440054-9	
	8.90	10.00	6.00	4P	4-440054-8	
	6.90	8.00	4.00	3P	4-440054-7	
	4.90	6.00	2.00	2P	4-440054-6	
BLUE	10.90	12.00	8.00	5P	2-440054-9	
	8.90	10.00	6.00	4P	2-440054-8	
	6.90	8.00	4.00	3P	2-440054-7	
	4.90	6.00	2.00	2P	2-440054-6	
NATURAL WHITE	32.90	34.00	30.00	16P	5-440054-6	
	30.90	32.00	28.00	15P	5-440054-5	
	28.90	30.00	26.00	14P	5-440054-4	
	26.90	28.00	24.00	13P	5-440054-3	
	24.90	26.00	22.00	12P	5-440054-2	
	22.90	24.00	20.00	11P	5-440054-1	
	20.90	22.00	18.00	10P	5-440054-0	
	18.90	20.00	16.00	9P	3-440054-9	
	16.90	18.00	14.00	8P	3-440054-8	
	14.90	16.00	12.00	7P	3-440054-7	
	12.90	14.00	10.00	6P	3-440054-6	
	10.90	12.00	8.00	5P	3-440054-5	
	8.90	10.00	6.00	4P	3-440054-4	
	6.90	8.00	4.00	3P	3-440054-3	
	4.90	6.00	2.00	2P	3-440054-2	

POLY BAG	NATURAL WHITE	14.90	16.00	12.00	7P	9-440054-7	
		10.90	12.00	8.00	5P	4-440054-1	
		22.90	24.00	20.00	11P	9-440054-3	
		10.90	12.00	8.00	5P	9-440054-6	
	GREEN	8.90	10.00	6.00	4P	3-440054-1	
		6.90	8.00	4.00	3P	440054-1	
		18.90	20.00	16.00	9P	2-440054-1	
		16.90	18.00	14.00	8P	2-440054-0	
	BLUE	16.90	18.00	14.00	8P	8-440054-0	
		10.90	12.00	8.00	5P	8-440054-5	
		8.90	10.00	6.00	4P	8-440054-4	
		6.90	8.00	4.00	3P	8-440054-3	
	RED	18.90	20.00	16.00	9P	8-440054-2	
		8.90	10.00	6.00	4P	8-440054-4	
		6.90	8.00	4.00	3P	8-440054-3	
		4.90	6.00	2.00	2P	8-440054-2	
BLACK	10.90	12.00	8.00	5P	6-440054-5		
	8.90	10.00	6.00	4P	6-440054-4		
	6.90	8.00	4.00	3P	6-440054-3		
	4.90	6.00	2.00	2P	6-440054-2		
YELLOW	24.90	26.00	22.00	12P	7-440054-6		
	22.90	24.00	20.00	11P	7-440054-5		
	20.90	22.00	18.00	10P	7-440054-4		
	18.90	20.00	16.00	9P	7-440054-3		
BLUE	16.90	18.00	14.00	8P	7-440054-2		
	14.90	16.00	12.00	7P	7-440054-1		
	12.90	14.00	10.00	6P	7-440054-0		
	10.90	12.00	8.00	5P	4-440054-5		
POLY BAG	NATURAL WHITE	8.90	10.00	6.00	4P	4-440054-4	
		6.90	8.00	4.00	3P	4-440054-3	
		4.90	6.00	2.00	2P	4-440054-2	
		10.90	12.00	8.00	5P	2-440054-5	
TUBE	NATURAL WHITE	8.90	10.00	6.00	4P	2-440054-4	
		6.90	8.00	4.00	3P	2-440054-3	
		4.90	6.00	2.00	2P	2-440054-2	
		20.90	22.00	18.00	10P	9-440054-0	
	POLY BAG	NATURAL WHITE	18.90	20.00	16.00	9P	440054-9
			16.90	18.00	14.00	8P	440054-8
			14.90	16.00	12.00	7P	440054-7
			12.90	14.00	10.00	6P	440054-6
	TUBE	NATURAL WHITE	10.90	12.00	8.00	5P	440054-5
			8.90	10.00	6.00	4P	440054-4
			6.90	8.00	4.00	3P	440054-3
			4.90	6.00	2.00	2P	440054-2

THIS DRAWING IS A CONTROLLED DOCUMENT.

DIMENSIONS: MM	TOLERANCES UNLESS OTHERWISE SPECIFIED:	DWN O. HU 16JUL2004	TE Connectivity NAME 2.0 MM PITCH HPI VERTICAL POST HEADERS
	0 PLC ± - 1 PLC ± 0.3 2 PLC ± 0.2 3 PLC ± 0.15 4 PLC ± - ANGLES ± 3°	CHK S. HOU 16JUL2004	
MATERIAL SEE NOTE	FINISH SEE NOTE	APVD W.J. KE 16JUL2004	
		PRODUCT SPEC 108-57100	
		APPLICATION SPEC	SIZE A3 CAGE CODE 00779 DRAWING NO C=440054 RESTRICTED TO
		WEIGHT - GRAMS	SCALE - SHEET 1 OF 9 REV F8
		CUSTOMER DRAWING	

4

3

2

1

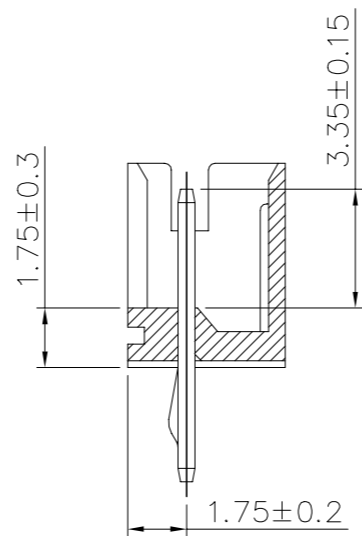
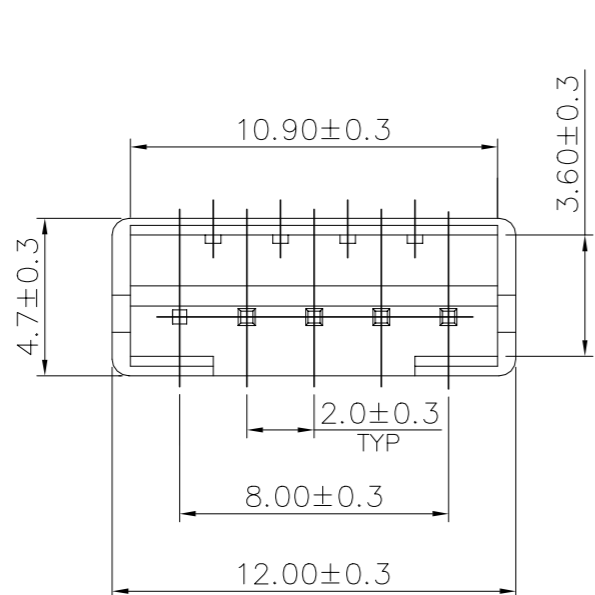
THIS DRAWING IS UNPUBLISHED. RELEASED FOR PUBLICATION AUG ,2006.

© COPYRIGHT 2009 BY TYCO ELECTRONICS CORPORATION. ALL RIGHTS RESERVED.

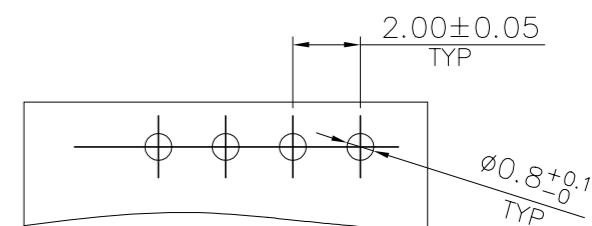
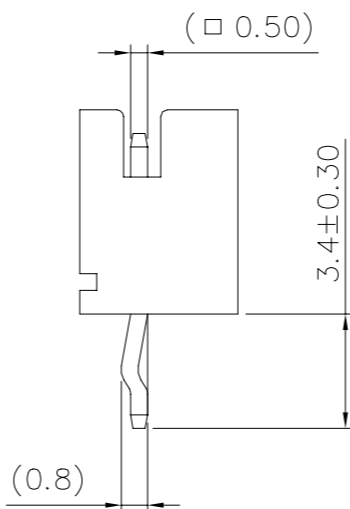
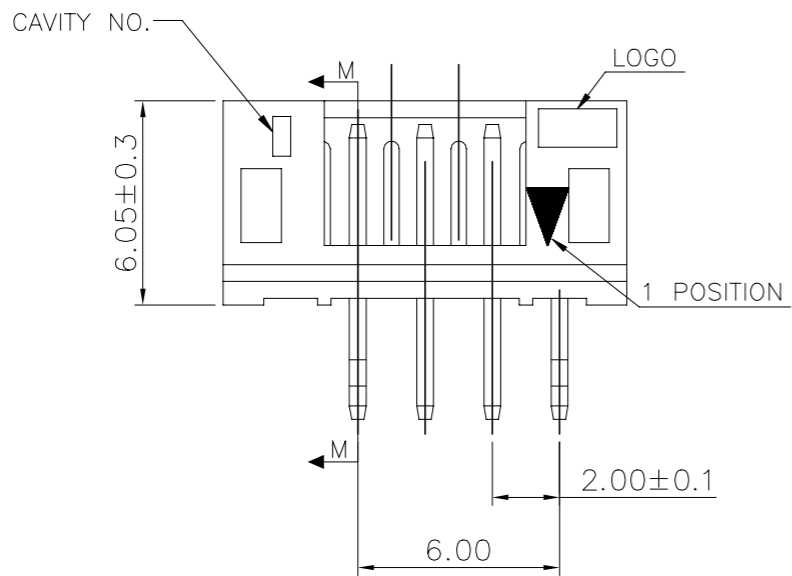
LOC DW DIST

REVISIONS

P	LTR	DESCRIPTION	DATE	DWN	APVD
		SEE SHEET 1.			



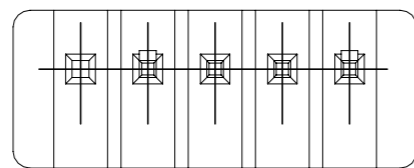
SECTION M-M



RECOMMENDER PCB LAYOUT (PCB THK=1.0~1.6mm)

POLY BAG	NATURAL WHITE	PIN 5	4P	9-440054-5
PACKAGE	COLOR	PIN NUMBER LACKED	POS.	PART NUMBER

THIS DRAWING IS A CONTROLLED DOCUMENT.		DWN		<b>STE</b> TE Connectivity	
DIMENSIONS: MM		CHK			
TOLERANCES UNLESS OTHERWISE SPECIFIED:		APVD		NAME	
0 PLC ± -		PRODUCT SPEC		2.0 MM PITCH HPI VERTICAL POST HEADERS	
1 PLC ± 0.3		APPLICATION SPEC		SIZE CAGE CODE DRAWING NO RESTRICTED TO	
2 PLC ± 0.2		WEIGHT		A3 00779 C=440054	
3 PLC ± 0.15		CUSTOMER DRAWING		SCALE SHEET 2 OF 9 REV F8	
4 PLC ± -					
ANGLES ± 3'					
MATERIAL SEE NOTE (PAGE 1.)		FINISH SEE NOTE (PAGE 1.)			



4

3

2

1

THIS DRAWING IS UNPUBLISHED.

RELEASED FOR PUBLICATION

AUG ,2006.

© COPYRIGHT 2009 BY TYCO ELECTRONICS CORPORATION. ALL RIGHTS RESERVED.

LOC

DIST

REVISIONS

DW

P

LTR

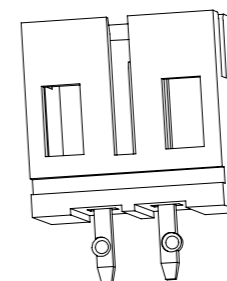
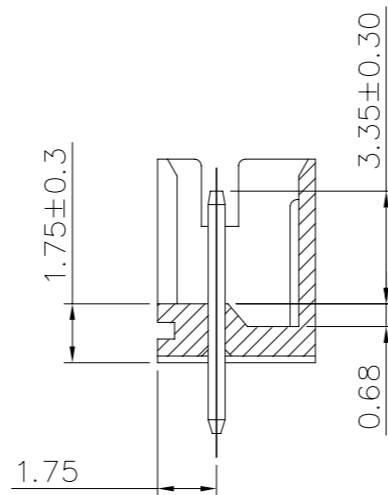
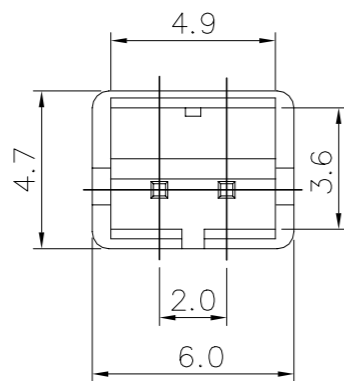
DESCRIPTION

DATE

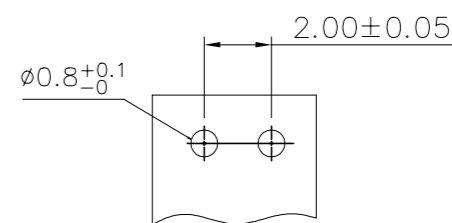
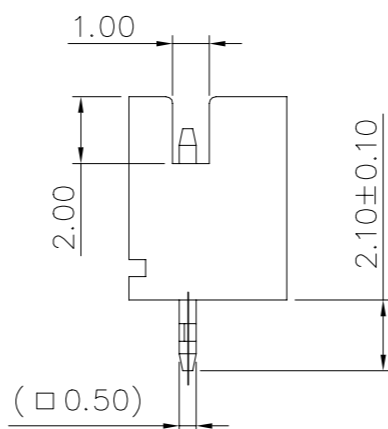
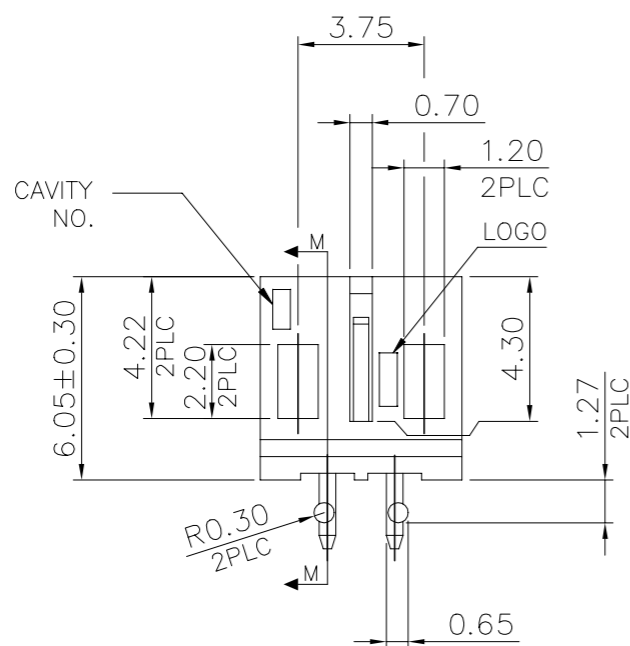
DWN

APVD

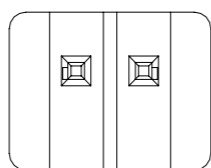
SEE SHEET 1.



SECTION M-M



RECOMMENDED PCB LAYOUT (PCB THK=1.0MM~1.6MM)



POLY BAG	NATURAL WHITE	2P	9-440054-2
PACKAGE	COLOR	POS.	PART NUMBER

THIS DRAWING IS A CONTROLLED DOCUMENT.		DWN	<b>STE</b> TE Connectivity	
DIMENSIONS: MM		CHK		
TOLERANCES UNLESS OTHERWISE SPECIFIED:		APVD	NAME	
0 PLC ± -		PRODUCT SPEC	2.0 MM PITCH HPI VERTICAL POST HEADERS	
1 PLC ± 0.3		APPLICATION SPEC	SIZE	CAGE CODE
2 PLC ± 0.2		WEIGHT	A3	00779
3 PLC ± 0.15		CUSTOMER DRAWING	DRAWING NO. C=440054	
4 PLC ± -		SCALE	RESTRICTED TO	
ANGLES ± 3'		SHEET	3 OF 9	
MATERIAL	FINISH	REV	F8	
SEE NOTE (PAGE 1.)	SEE NOTE (PAGE 1.)			

4 3 2 1

THIS DRAWING IS UNPUBLISHED. RELEASED FOR PUBLICATION AUG ,2006.

© COPYRIGHT 2009 BY TYCO ELECTRONICS CORPORATION. ALL RIGHTS RESERVED.

LOC	DIST	REVISIONS					
DW		P	LTR	DESCRIPTION	DATE	DWN	APVD
				SEE SHEET 1.			

NOTES:

- MATERIAL:  
HOUSING: NYLON 6T, UL94V-0, COLOR: SEE TABLE.  
CONTACT: BRASS, THICKNESS=0.50mm.
- FINISH:  
2.03um[80u"] MIN. BRIGHT-TIN PLATING ON CONTACT.  
1.27um[50u"] MIN. NICKEL ENTIRE CONTACT UNDERPLATED.
- (SMT) REFLOW PROCESS NEED AFFORD 260°C.  
FINISH:  
0.762um[30u"] GOLD PLATING OVER ALL.  
1.27um[50u"] MIN. NICKEL ENTIRE CONTACT UNDERPLATED.

RECOMMENDED PCB LAYOUT  
(PCB THK=1.0MM~1.6MM)

FINISH	CAP	PACKAGE	COLOR	DIM C	DIM B	DIM A	POS	PART NUMBER
4	WITH	TAPE REEL	NATURAL WHITE	14.90	16.00	12.00	7P	8-440054-7
4	WITH	TAPE REEL	NATURAL WHITE	8.90	10.00	6.00	4P	8-440054-6
2	WITHOUT	TAPE REEL	NATURAL WHITE	8.90	10.00	6.00	4P	9-440054-1
2	WITH	TAPE REEL	NATURAL WHITE	8.90	10.00	6.00	4P	9-440054-4

THIS DRAWING IS A CONTROLLED DOCUMENT.		DWN		<b>STE</b> TE Connectivity	
DIMENSIONS: MM		CHK			
TOLERANCES UNLESS OTHERWISE SPECIFIED:		APVD		NAME	
0 PLC ± -		PRODUCT SPEC		2.0 MM PITCH HPI VERTICAL POST HEADERS	
1 PLC ± 0.3		APPLICATION SPEC		SIZE CAGE CODE DRAWING NO RESTRICTED TO	
2 PLC ± 0.2		WEIGHT		A3 00779 C=440054	
3 PLC ± 0.15		CUSTOMER DRAWING		SCALE SHEET 4 OF 9 REV F8	
4 PLC ± -					
ANGLES ± 3'					
MATERIAL SEE NOTE (PAGE 1.)		FINISH SEE NOTE (PAGE 1.)			

AMP 1470-19 REV 31MAR2000

Downloaded From [Onezac.com](http://Onezac.com)

THIS DRAWING IS UNPUBLISHED.

RELEASED FOR PUBLICATION

AUG ,2006.

© COPYRIGHT 2009 BY TYCO ELECTRONICS CORPORATION. ALL RIGHTS RESERVED.

LOC DW DIST

REVISIONS

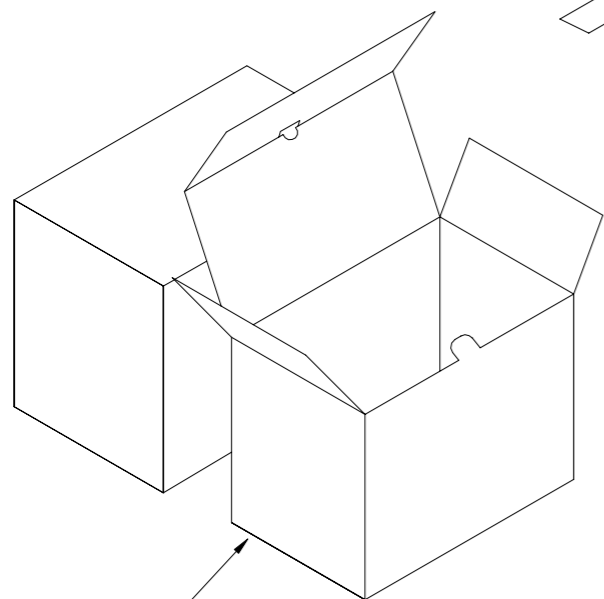
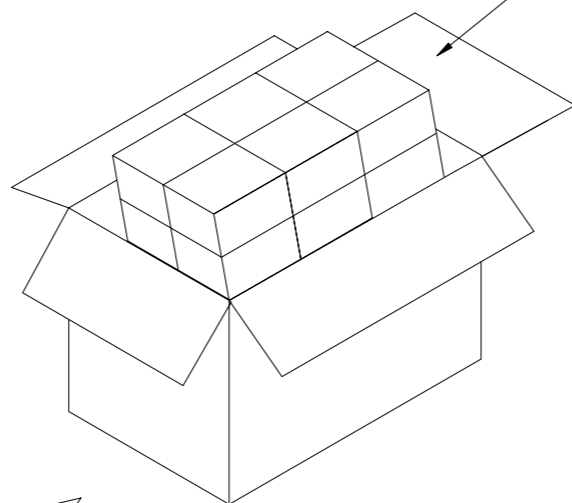
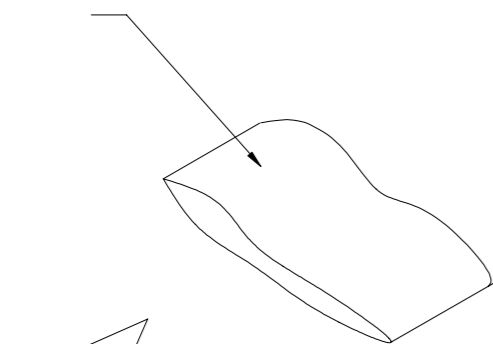
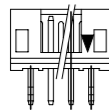
P	LTR	DESCRIPTION	DATE	DWN	APVD
		SEE SHEET 1.			

POLY BAG

CARTON

340mm(L)X 470mm(W)X 178mm(H)  
(FOR HEADER 2P~5P ONLY)

340mm(L)X 470mm(W)X 365mm(H)  
(FOR HEADER 6P~16P ONLY)



INEER BOX

320mm(L)X 220mm(W)X 155mm(H)

17,600	550	5P	4-440054-1
18,000	250	11P	9-440054-3
20,800	650	4P	3-440054-1
27,000	750	3P	440054-1
17,600	550	5P	8-440054-5
22,400	350	8P	2-440054-0
22,400	350	8P	8-440054-0
17,600	550	4P	9-440054-5
40,000	1,000	2P	9-440054-2
<del>17,600</del>	<del>550</del>	<del>5P</del>	<del>8-440054-5</del>
20,800	650	4P	8-440054-4
<del>27,000</del>	<del>750</del>	<del>3P</del>	<del>8-440054-3</del>
<del>40,000</del>	<del>1,000</del>	<del>2P</del>	<del>8-440054-2</del>
17,600	550	5P	6-440054-5
20,800	650	4P	6-440054-4
27,000	750	3P	6-440054-3
40,000	1,000	2P	6-440054-2
16,000	250	12P	7-440054-6
18,000	250	11P	7-440054-5
19,200	300	10P	7-440054-4
22,400	350	9P	7-440054-3
22,400	350	8P	7-440054-2
25,600	400	7P	7-440054-1
28,800	450	6P	7-440054-0
17,600	550	5P	4-440054-5
20,800	650	4P	4-440054-4
27,000	750	3P	4-440054-3
40,000	1,000	2P	4-440054-2
17,600	550	5P	2-440054-5
20,800	650	4P	2-440054-4
27,000	750	3P	2-440054-3
40,000	1,000	2P	2-440054-2
12,000	200	16P	1-440054-6
12,000	200	15P	1-440054-5
12,800	200	14P	1-440054-4
15,000	250	13P	1-440054-3
16,000	250	12P	1-440054-2
18,000	250	11P	1-440054-1
19,200	300	10P	1-440054-0
22,400	350	9P	440054-9
22,400	350	8P	440054-8
25,600	400	7P	440054-7
28,800	450	6P	440054-6
17,600	550	5P	440054-5
20,800	650	4P	440054-4
27,000	750	3P	440054-3
40,000	1,000	2P	440054-2
APQ	PPQ	POS.	PART NUMBER
(PCS/CARTON)	(PCS/BAG)		

THIS DRAWING IS A CONTROLLED DOCUMENT.

DIMENSIONS: MM	TOLERANCES UNLESS OTHERWISE SPECIFIED: 0 PLC ± - 1 PLC ± - 2 PLC ± - 3 PLC ± - 4 PLC ± - ANGLES ± -	DWN	TE Connectivity NAME 2.0 MM PITCH HPI VERTICAL POST HEADERS
MATERIAL	FINISH	CHK	
		APVD	
		PRODUCT SPEC	
		APPLICATION SPEC	SIZE
		WEIGHT	CAGE CODE
		CUSTOMER DRAWING	DRAWING NO
			RESTRICTED TO
			SCALE
			SHEET
			REV

A3 00779 C=440054

5 OF 9 REV F8

4

3

2

1

THIS DRAWING IS UNPUBLISHED.

RELEASED FOR PUBLICATION

AUG ,2006.

© COPYRIGHT 2009 BY TYCO ELECTRONICS CORPORATION.

ALL RIGHTS RESERVED.

LOC

DIST

REVISIONS

DW

P

LTR

DESCRIPTION

DATE

DWN

APVD

SEE SHEET 1.

CARTON

470 mm(L)X 340mm(W)X 178mm(H)

450

6.20

4.30

7.50

11.50

TUBE

20,280	30	5P	8-440054-9
27,040	40	4P	8-440054-8
33,800	50	3P	8-440054-7
43,940	65	2P	8-440054-6
20,280	30	5P	6-440054-9
27,040	40	4P	6-440054-8
33,800	50	3P	6-440054-7
43,940	65	2P	6-440054-6
20,280	30	5P	4-440054-9
27,040	40	4P	4-440054-8
33,800	50	3P	4-440054-7
43,940	65	2P	4-440054-6
20,280	30	5P	2-440054-9
27,040	40	4P	2-440054-8
33,800	50	3P	2-440054-7
43,940	65	2P	2-440054-6
6,760	10	16P	5-440054-6
8,112	12	15P	5-440054-5
8,112	12	14P	5-440054-4
8,788	13	13P	5-440054-3
10,140	15	12P	5-440054-2
10,816	16	11P	5-440054-1
12,168	18	10P	5-440054-0
13,520	20	9P	3-440054-9
14,872	22	8P	3-440054-8
16,900	25	7P	3-440054-7
18,928	28	6P	3-440054-6
20,280	30	5P	3-440054-5
27,040	40	4P	3-440054-4
33,800	50	3P	3-440054-3
43,940	65	2P	3-440054-2
APQ	PPQ	POS.	PART NUMBER
(PCS/CARTON)	(PCS/TUBE)		

THIS DRAWING IS A CONTROLLED DOCUMENT.

DWN

CHK

APVD

PRODUCT SPEC

APPLICATION SPEC

WEIGHT

-

CUSTOMER DRAWING

DIMENSIONS:

MM

MATERIAL

TOLERANCES UNLESS OTHERWISE SPECIFIED:

0 PLC	± -
1 PLC	± -
2 PLC	± -
3 PLC	± -
4 PLC	± -
ANGLES	± -

FINISH

NAME	2.0 MM PITCH HPI VERTICAL POST HEADERS
SIZE	A3
CAGE CODE	00779
DRAWING NO	C=440054
RESTRICTED TO	
SCALE	
SHEET	6 OF 9
REV	F8

TE Connectivity

2.0 MM PITCH HPI VERTICAL POST HEADERS

SIZE

CAGE CODE

DRAWING NO

RESTRICTED TO

A3

00779

C=440054

SCALE

SHEET

6 OF 9

REV

F8

AMP 1470-19 REV 31MAR2000

Downloaded From [Onevac.com](http://Onevac.com)

4

3

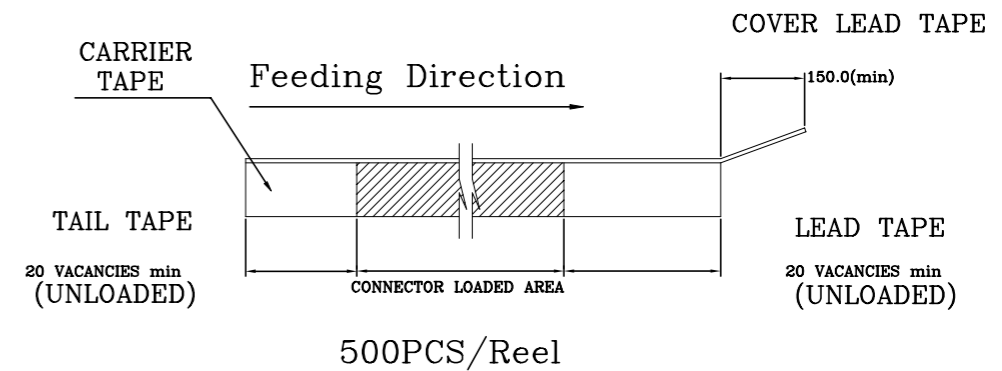
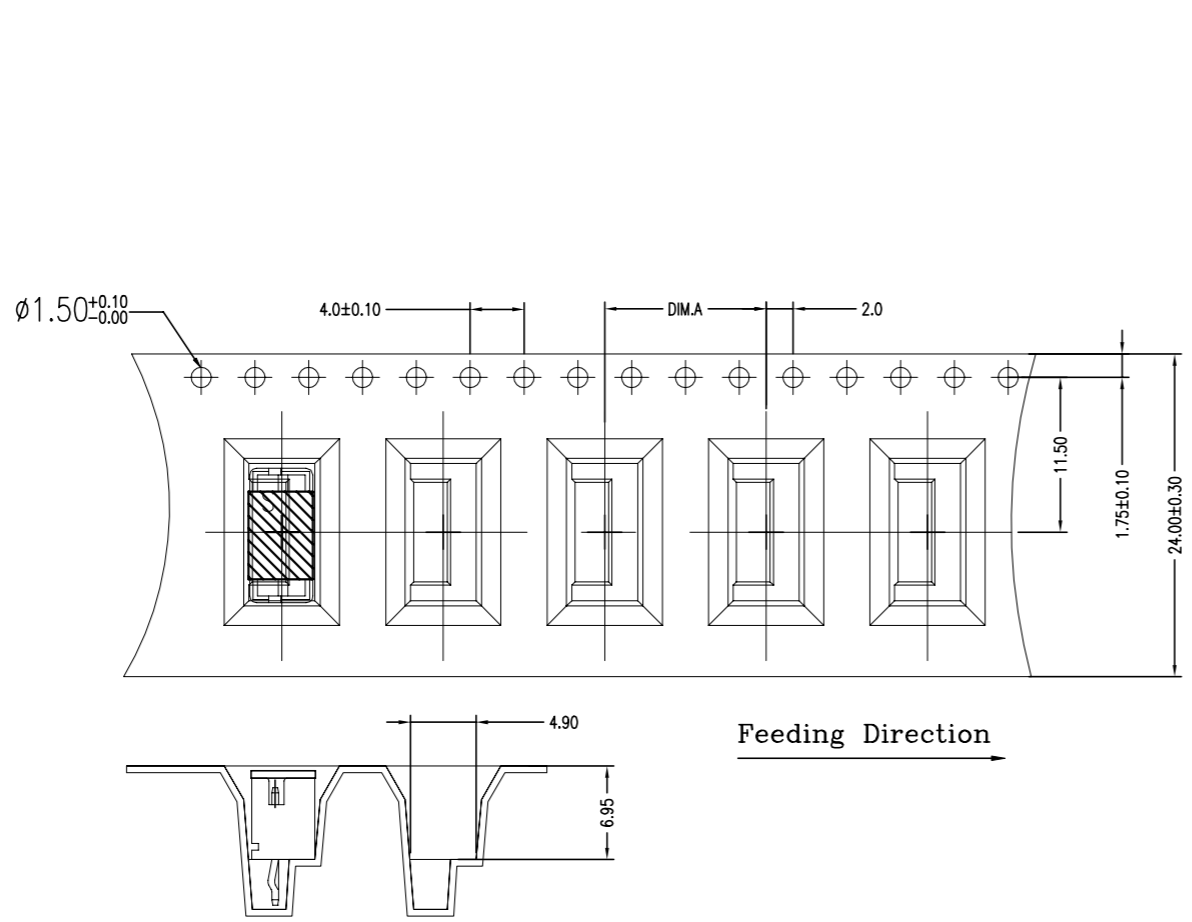
2

1

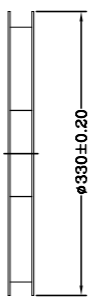
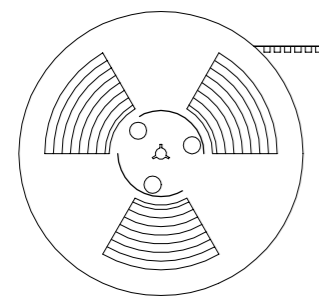
THIS DRAWING IS UNPUBLISHED. RELEASED FOR PUBLICATION AUG ,2006.

© COPYRIGHT 2009 BY TYCO ELECTRONICS CORPORATION. ALL RIGHTS RESERVED.

LOC		DIST		REVISIONS			
P	LTR	DESCRIPTION		DATE	DWN	APVD	
		SEE SHEET 1.					



Feeding Direction



12.0	WITH	2000	500	4P	8-440054-6
12.0	WITH	2000	500	4P	9-440054-4
DIM.A	CAP	APQ (PCS/CARTON)	PPQ (PCS/REEL)	POS.	PART NUMBER

THIS DRAWING IS A CONTROLLED DOCUMENT.		DWN		<b>STE</b> TE Connectivity	
DIMENSIONS: MM		CHK			
TOLERANCES UNLESS OTHERWISE SPECIFIED:		APVD		NAME	
0 PLC ± -		PRODUCT SPEC		2.0 MM PITCH HPI VERTICAL POST HEADERS	
1 PLC ± -		APPLICATION SPEC		SIZE CAGE CODE DRAWING NO RESTRICTED TO	
2 PLC ± -		WEIGHT		A3 00779 C=440054	
3 PLC ± -		CUSTOMER DRAWING		SCALE SHEET 7 of 9 REV F8	
4 PLC ± -					
ANGLES ± -					
MATERIAL		FINISH			

4

3

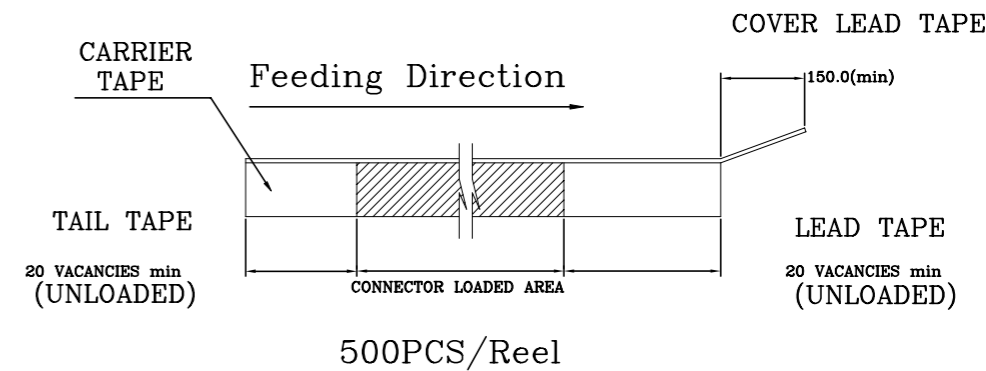
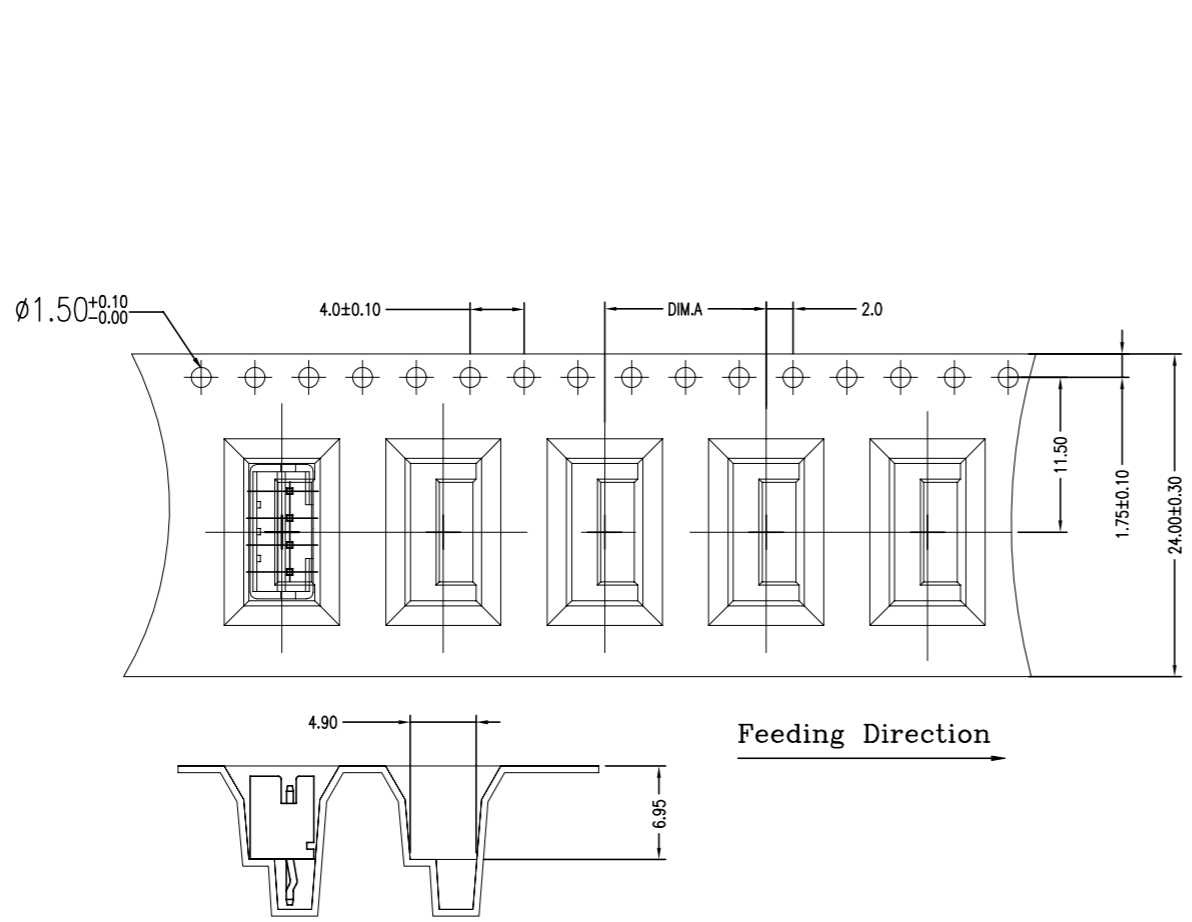
2

1

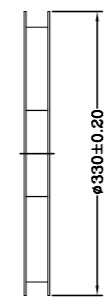
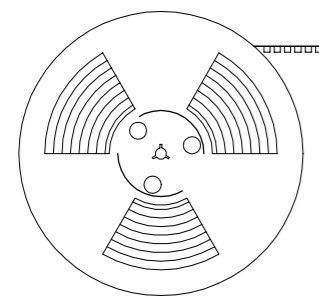
THIS DRAWING IS UNPUBLISHED. RELEASED FOR PUBLICATION AUG ,2006.

© COPYRIGHT 2009 BY TYCO ELECTRONICS CORPORATION. ALL RIGHTS RESERVED.

LOC		DIST		REVISIONS					
DW				P	LTR	DESCRIPTION	DATE	DWN	APVD
				SEE SHEET 1.					



Feeding Direction →



16.0	WITHOUT	1800	450	4P	9-440054-1
DIM.A	CAP	APQ (PCS/CARTON)	PPQ (PCS/REEL)	POS.	PART NUMBER

THIS DRAWING IS A CONTROLLED DOCUMENT.		DWN		<b>STE</b> TE Connectivity	
DIMENSIONS: MM		CHK			
TOLERANCES UNLESS OTHERWISE SPECIFIED:		APVD		NAME	
0 PLC ± -		PRODUCT SPEC		2.0 MM PITCH HPI VERTICAL POST HEADERS	
1 PLC ± -		APPLICATION SPEC		SIZE CAGE CODE DRAWING NO RESTRICTED TO	
2 PLC ± -		WEIGHT		A3 00779 C=440054	
3 PLC ± -		CUSTOMER DRAWING		SCALE SHEET 8 OF 9 REV F8	
4 PLC ± -					
ANGLES ± -					
MATERIAL		FINISH			



4 3 2 1

THIS DRAWING IS UNPUBLISHED. RELEASED FOR PUBLICATION AUG ,2006.  
 © COPYRIGHT 2009 BY TYCO ELECTRONICS CORPORATION. ALL RIGHTS RESERVED.

LOC	DIST	REVISIONS					
DW		P	LTR	DESCRIPTION	DATE	DWN	APVD
				SEE SHEET 1.			

PULL OUT DIRECTION

CARRIER TAPE Feeding Direction

TAIL TAPE 20 VACANCIES min (UNLOADED)

COVER LEAD TAPE 150.0(min)

LEAD TAPE 20 VACANCIES min (UNLOADED)

500PCS/Reel

CONNECTOR LOADED AREA

REEL T1

REEL T2

H±5

345±5

345±5

H(mm)	POS	B(mm)	PCS./REEL	PCS/CARTON-T2
225	10P	44	500 PCS.	500X4=2000PCS.
125	7P	32	500 PCS.	500X3=1500PCS.

NOTE:  
 9-440054-0 10POS WAVE SOLDER PART CAP TYPE.  
 8-/9-440054-7 7POS WAVE SOLDER PART CAP TYPE.

32.0	1500	500	7P	8-440054-7
32.0	1500	500	7P	9-440054-7
44.0	2000	500	10P	9-440054-0
B(mm)	APQ (PCS/CARTON)	PPQ (PCS/REEL)	POS.	PART NUMBER

Cap

THIS DRAWING IS A CONTROLLED DOCUMENT.

DIMENSIONS: MM	TOLERANCES UNLESS OTHERWISE SPECIFIED:	DWN				
	0 PLC ± -	CHK	NAME			
	1 PLC ± -	APVD	2.0 MM PITCH HPI VERTICAL POST HEADERS			
	2 PLC ± -	PRODUCT SPEC	SIZE	CAGE CODE	DRAWING NO	RESTRICTED TO
	3 PLC ± -	APPLICATION SPEC	A3	00779	C=440054	
	4 PLC ± -	WEIGHT	CUSTOMER DRAWING			
	ANGLES ± -		SCALE	SHEET	9 of 9	REV F8
MATERIAL	FINISH					

AMP 1470-19 REV 31MAR2000

Downloaded From [Onevac.com](http://Onevac.com)

单击下面可查看定价，库存，交付和生命周期等信息

[>>TE Connectivity\(泰科\)](#)