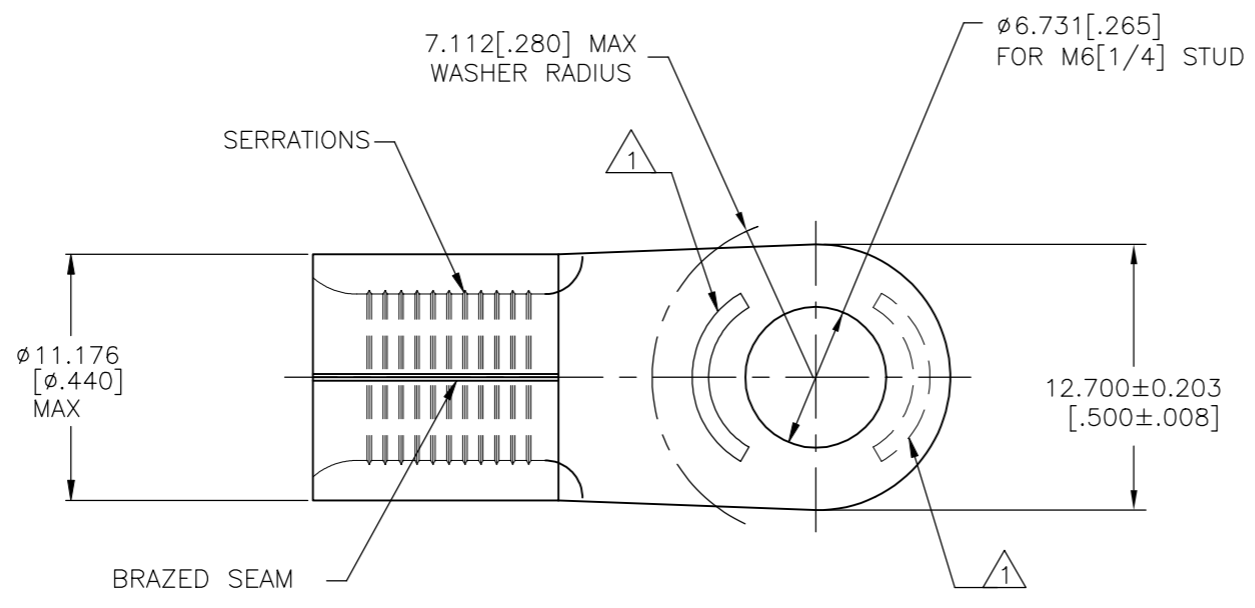
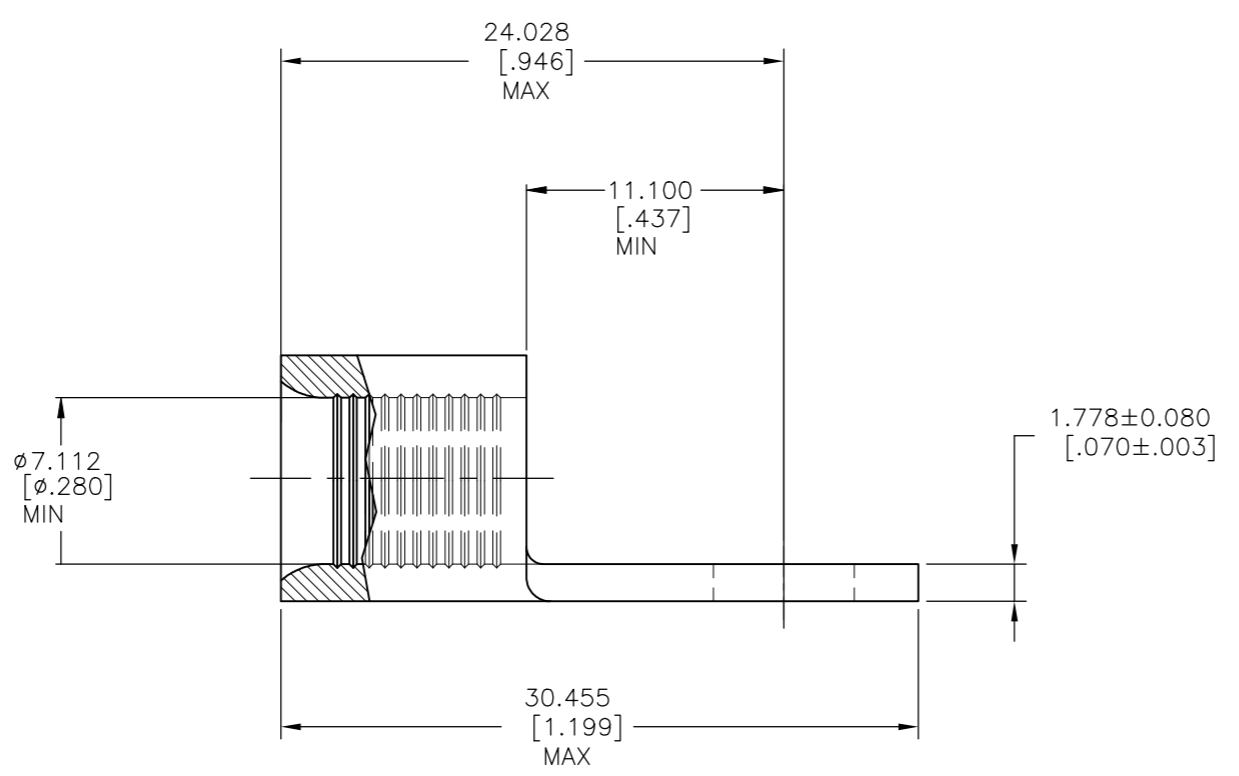


REVISIONS					
P	LTR	DESCRIPTION	DATE	DWN	APVD
C2		REVISED PER ECR-17-000596	31JAN2017	BDA	DR
C3		REVISED PER ECO-18-013298	22AUG2018	RS	DR



AMP
 WIRE RANGE
 4 AWG
 SOLID OR STRANDED

△ 1 STAMP AMP 4W* 40-50 APPROX AS SHOWN



AMP INCORPORATED CUSTOMER SERVICE SYSTEMS		MAX RECOMMENDED OPERATING TEMPERATURE: 343°C [649°F] MAX
FOR ADDITIONAL PRODUCT INFORMATION OR COPIES OF DRAWINGS AND TECHNICAL DOCUMENTS	PRODUCT INFORMATION CENTER 1-800-522-6752	VOLTAGE RATING: NOT APPLICABLE
FOR APPLICATION TOOLING INFORMATION	TOOLING ASSISTANCE CENTER 1-800-722-1111	WIRE CROSS SECTIONAL AREA RANGE: 16.8-26.7MM² [33,100-52,600] CIR MILS SOLID OR STRANDED
FOR ORDER ENTRY	1-800-526-5142	THIS DRAWING IS A CONTROLLED DOCUMENT FOR AMP INCORPORATED. IT IS SUBJECT TO CHANGE AND THE CONTROLLING ENGINEERING ORGANIZATION SHOULD BE CONTACTED FOR THE LATEST REVISION.

THIS DRAWING IS A CONTROLLED DOCUMENT.		DWN TA BRINKMAN 4-19-93	100		LOOSE PIECE	323173
DIMENSIONS: mm [INCHES]		CHK DA PATTERSON 4-19-93	QTY.		PACKAGE TYPE	PART NO.
TOLERANCES UNLESS OTHERWISE SPECIFIED: 0 PLC ± - 1 PLC ± - 2 PLC ± - 3 PLC ± 0.127 [.005] 4 PLC ± - ANGLES ± -		APVD DE MILLER 4-19-93	TE Connectivity Ltd.			
MATERIAL COPPER PER ASTM B-152 ANNEALED		FINISH NICKEL PLATE 0.00762 [.000300] MIN THK PER QQ-N-290	TERMINAL, RING TONGUE, HEAT RESISTANT, STRATO-THERM™ 4 AWG			
WEIGHT -		SIZE A2	CAGE CODE 00779	DRAWING NO C-323173	RESTRICTED TO -	
CUSTOMER DRAWING			SCALE 4:1	SHEET 1 of 1	REV C3	

323173

单击下面可查看定价，库存，交付和生命周期等信息

[>>TE Connectivity\(泰科\)](#)