

4

3

2

1

THIS DRAWING IS UNPUBLISHED.

RELEASED FOR PUBLICATION

NOV ,2005.

© COPYRIGHT 2005 BY TYCO ELECTRONICS CORPORATION.

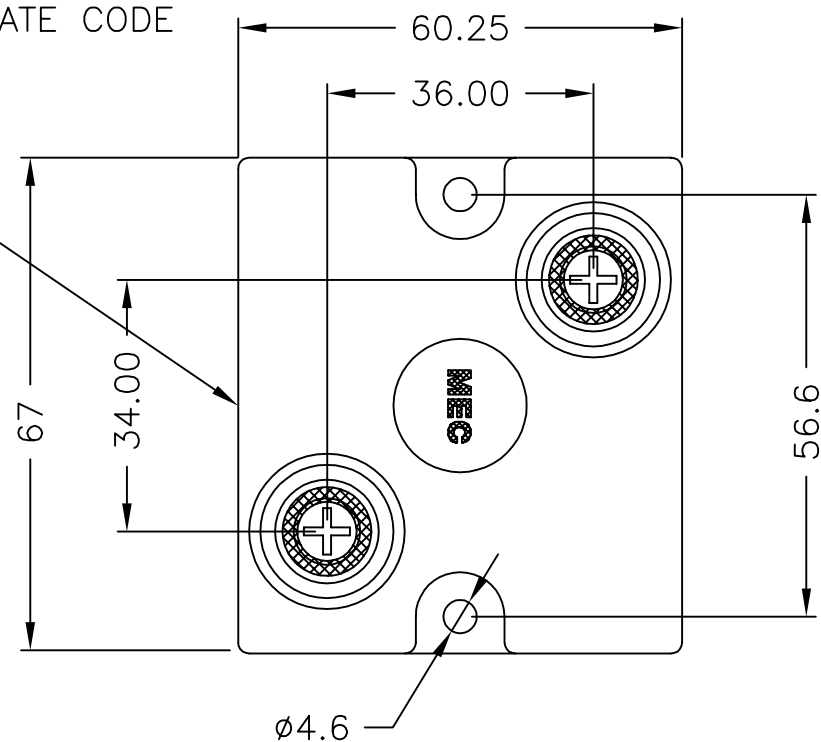
ALL RIGHTS RESERVED.

LOC E DIST B

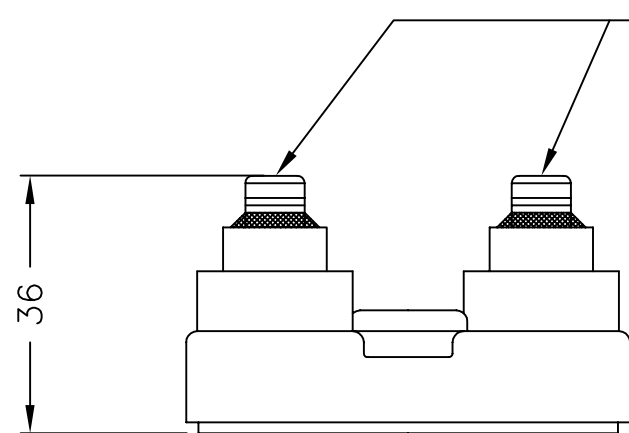
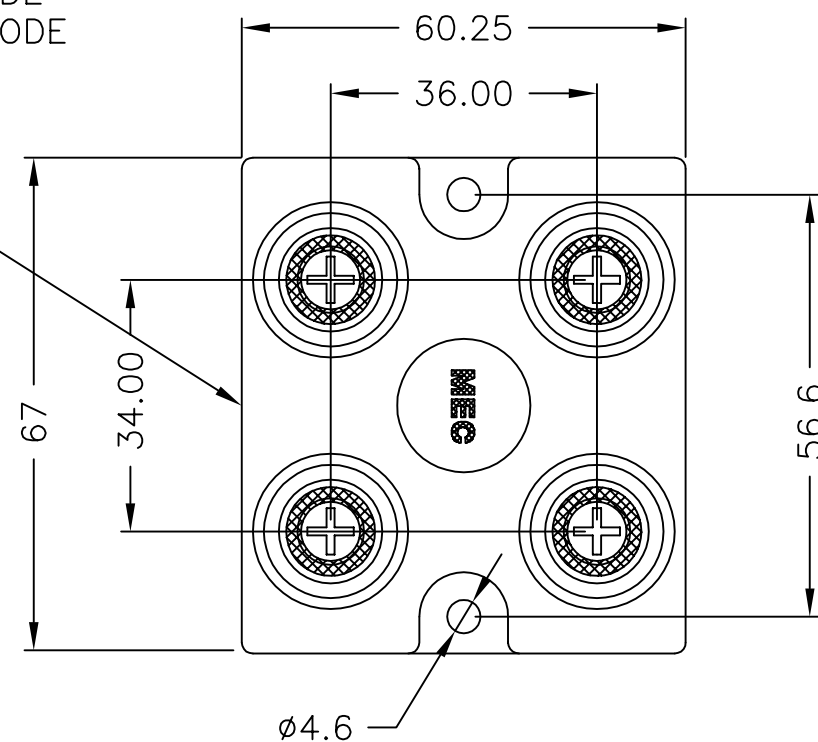
REVISIONS

P	LTR	DESCRIPTION	DATE	DWN	APVD
A		FIRST REVISION	04NOV05	DK	JC

CODE
TYCO PRODUCT CODE
VALUE, TOL, DATE CODE

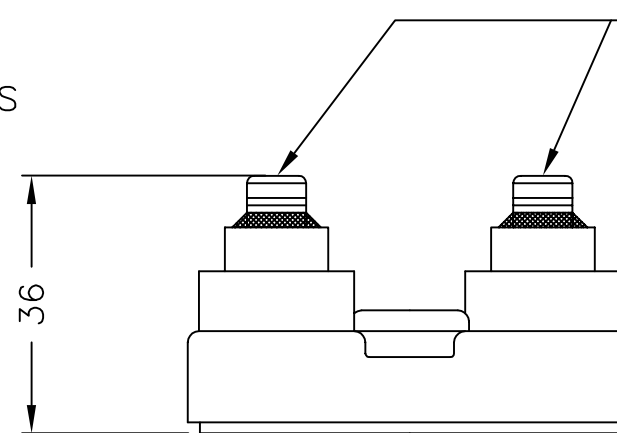


CODE
TYCO PRODUCT CODE
VALUE, TOL, DATE CODE



- 2 OFF M4 SCREWS
- 2 OFF M4 PLAIN WASHERS
- 2 OFF M4 SHAKEPROOF WASHERS

BDS2A250



- 4 OFF M4 SCREWS
- 4 OFF M4 PLAIN WASHERS
- 4 OFF M4 SHAKEPROOF WASHERS

BDS4B250

FOR A SPECIFIC PN FOR A RESISTANCE VALUE AND TOLERANCE, PLEASE REFER TO DMF.

THIS DRAWING IS A CONTROLLED DOCUMENT.

DIMENSIONS:	TOLERANCES UNLESS OTHERWISE SPECIFIED:
MM	
	0 PLC ± 0.5
	1 PLC ± 0.2
	2 PLC ± 0.1
	3 PLC ± -
	4 PLC ± -
	ANGLES ± 5
MATERIAL	FINISH
-	-

DWN DAVE KENNEDY 03NOV05	tyco Electronics	Tyco Electronics Corporation Dorcan, Swindon, SN3 5HH		
CHK J CATCHPOLE 04NOV05		NAME BDS2A250 & BDS4B250		
APVD J CATCHPOLE 04NOV05		PRODUCT SPEC - APPLICATION SPEC -		
WEIGHT -	SIZE A3	CAGE CODE 00779	DRAWING NO C=1614770	RESTRICTED TO -
CUSTOMER DRAWING			SCALE NTS	SHEET 1 OF 1

单击下面可查看定价，库存，交付和生命周期等信息

[>>TE Connectivity\(泰科\)](#)