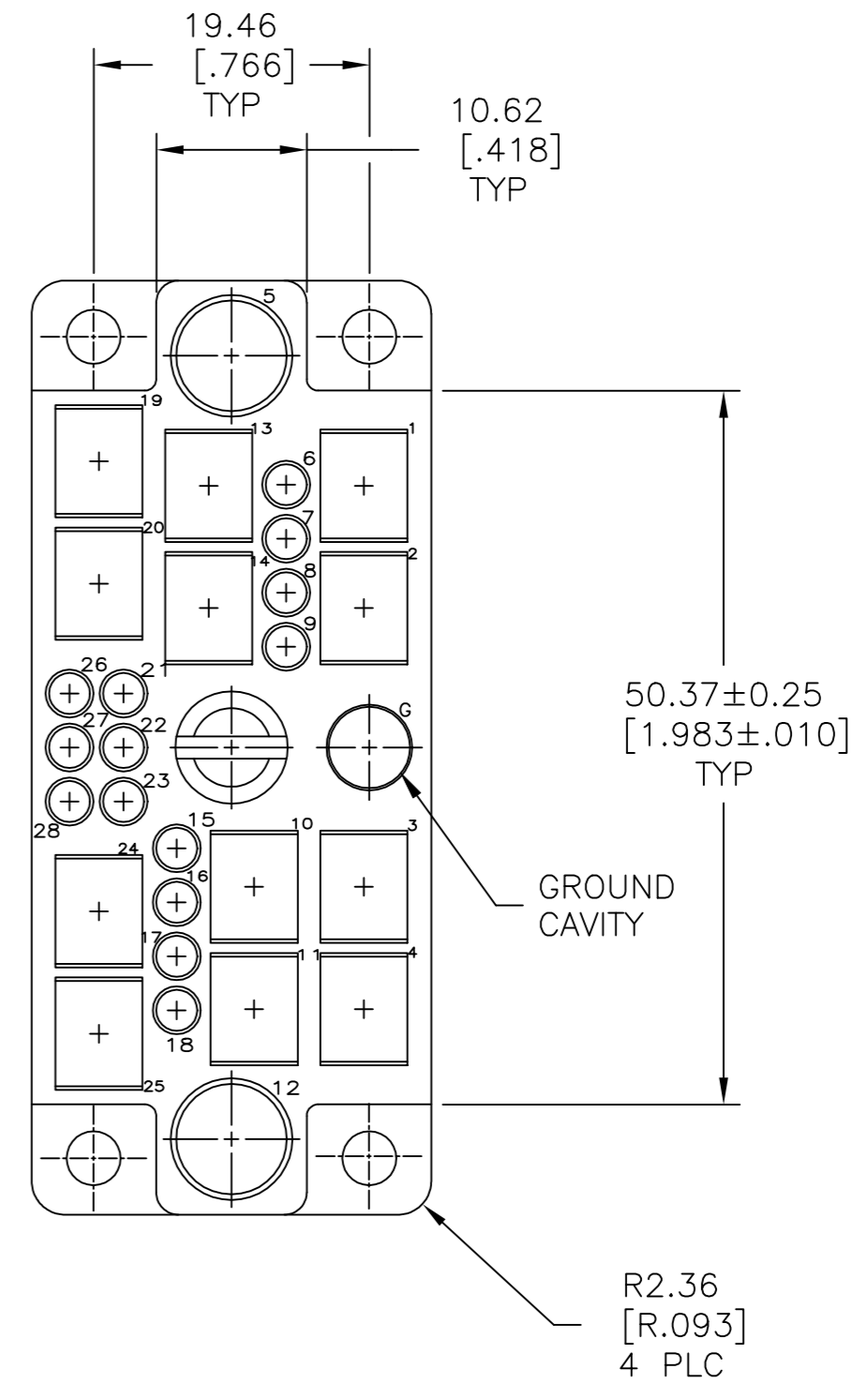
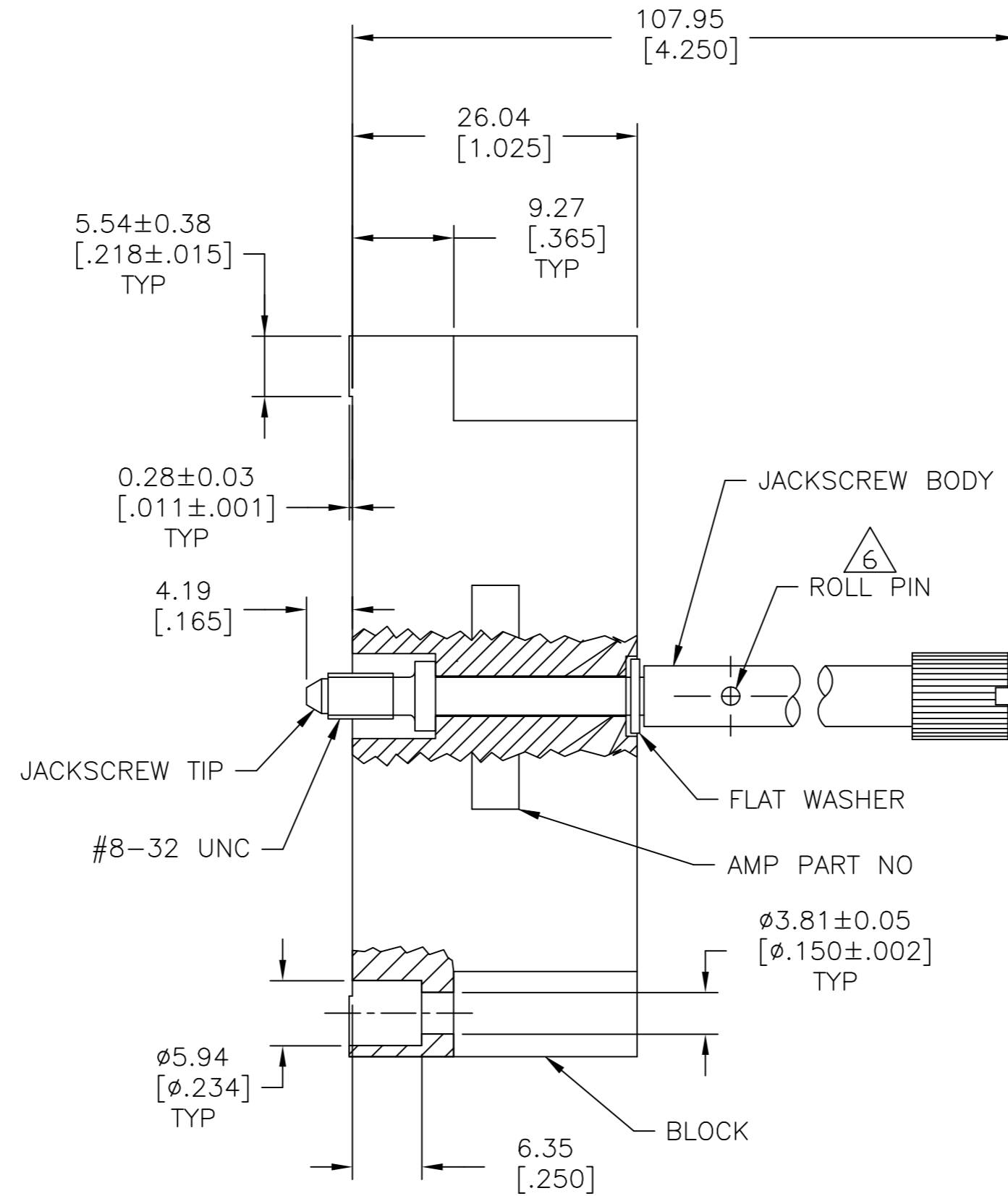
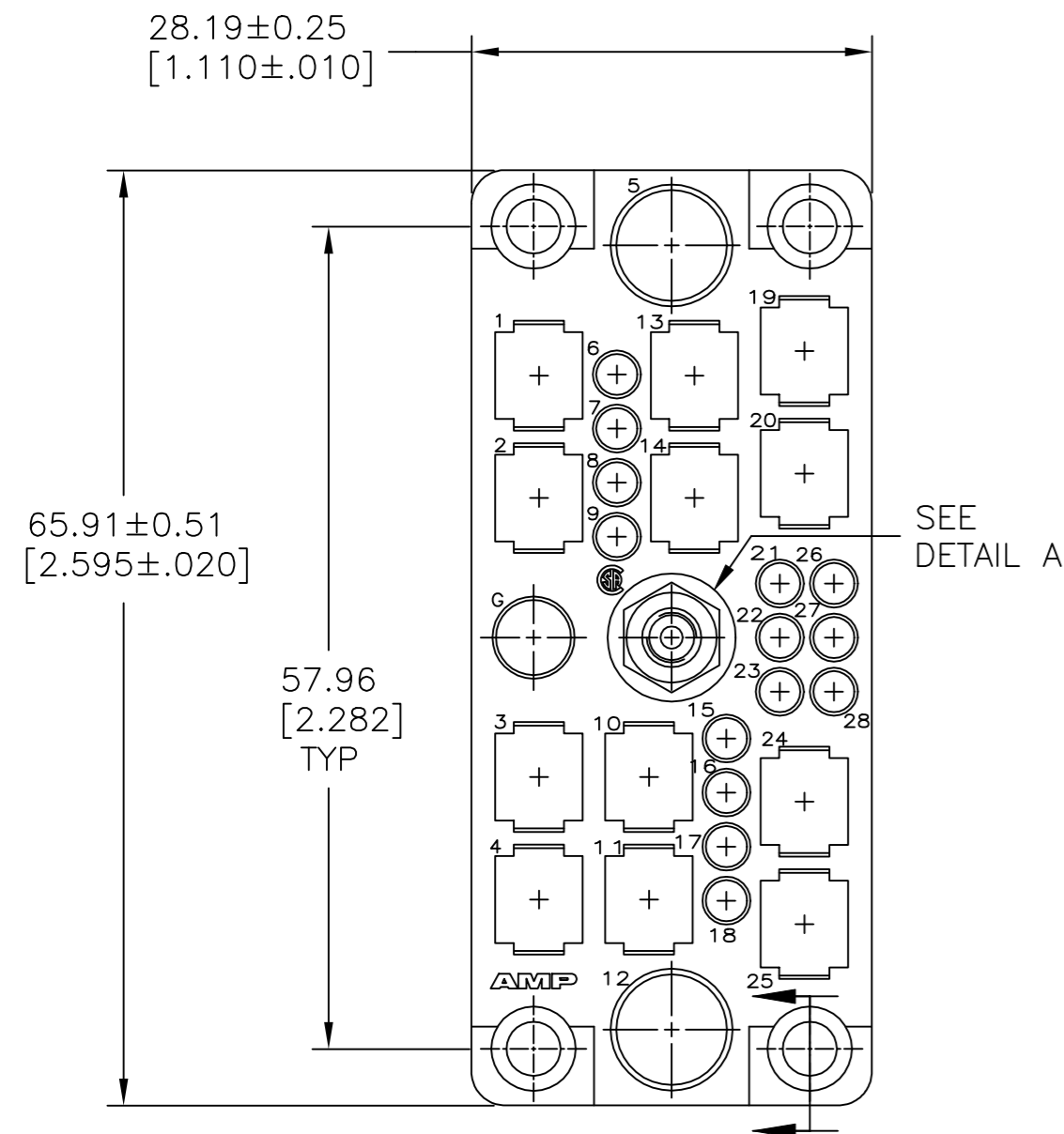
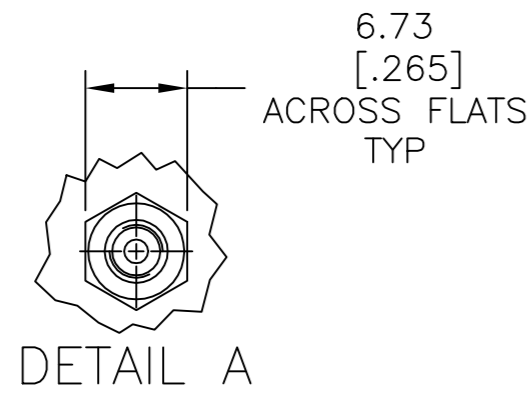


THIS DRAWING IS UNPUBLISHED. RELEASED FOR PUBLICATION
 © COPYRIGHT - TE Connectivity Ltd. ALL RIGHTS RESERVED.

REVISIONS					
P	LTR	DESCRIPTION	DATE	DWN	APVD
K		REDRAWN W/O CHANGE PER EC 0020-292-96	02AUG96	-	-
L		REVISED PER ECO-17-016689	14NOV2017	RS	MZ
M		REVISED PER ECO-17-018569	21DEC2017	RS	MZ



- 1 BLOCK: PHENOLIC, BLACK, PER MIL-M-14 TYPE CFG. JACKSCREW BODY: BRASS. FLAT WASHER, ROLL PIN & JACKSCREW TIP: STAINLESS STEEL.
- 2 JACKSCREW BODY: .200 MIN ZINC WITH AN RoHS COMPLIANT CHROMATE COATING. FLAT WASHER & JACKSCREW TIP: PASSIVATED STAINLESS STEEL.
- 3 ACCOMODATES 14 TYPE II OR III #16 PIN OR SOCKET CONTACTS, 2 COAXICON PIN CONTACTS & 12 MALE POWER CONN CONTACTS.
- 4 FOR MATING RECEPT & PANEL CUTOUT SEE DWG 202478.
- 5 TYPE I #12 PIN CONTACT USED FOR GROUND.
- 6 SWAGGED AT 60°. ON BOTH SIDES

202479-2
 PART NUMBER

THIS DRAWING IS A CONTROLLED DOCUMENT.		DWN B. CARBO 02 AUG 96																	
DIMENSIONS: mm [INCHES]		CHK R. STONE 08 AUG 96																	
TOLERANCES UNLESS OTHERWISE SPECIFIED:		APVD G. STEINHAUER 22 AUG 96	NAME PLUG BLOCK ASSEMBLY, 29 POSITION, WITH CENTER FASTENER, M SERIES																
<table border="0"> <tr><td>0 PLC</td><td>± -</td></tr> <tr><td>1 PLC</td><td>± -</td></tr> <tr><td>2 PLC</td><td>± 0.13 [.005]</td></tr> <tr><td>3 PLC</td><td>± -</td></tr> <tr><td>4 PLC</td><td>± -</td></tr> <tr><td>ANGLES</td><td>± -</td></tr> <tr><td>FINISH</td><td>± -</td></tr> </table>		0 PLC	± -	1 PLC	± -	2 PLC	± 0.13 [.005]	3 PLC	± -	4 PLC	± -	ANGLES	± -	FINISH	± -	PRODUCT SPEC -	SIZE A2	CAGE CODE 00779	DRAWING NO C=202479
0 PLC	± -																		
1 PLC	± -																		
2 PLC	± 0.13 [.005]																		
3 PLC	± -																		
4 PLC	± -																		
ANGLES	± -																		
FINISH	± -																		
MATERIAL 1		APPLICATION SPEC -	WEIGHT -	SCALE 2:1	SHEET 1 of 1														
CUSTOMER DRAWING			RESTRICTED TO -	REV M															

单击下面可查看定价，库存，交付和生命周期等信息

[>>TE Connectivity\(泰科\)](#)