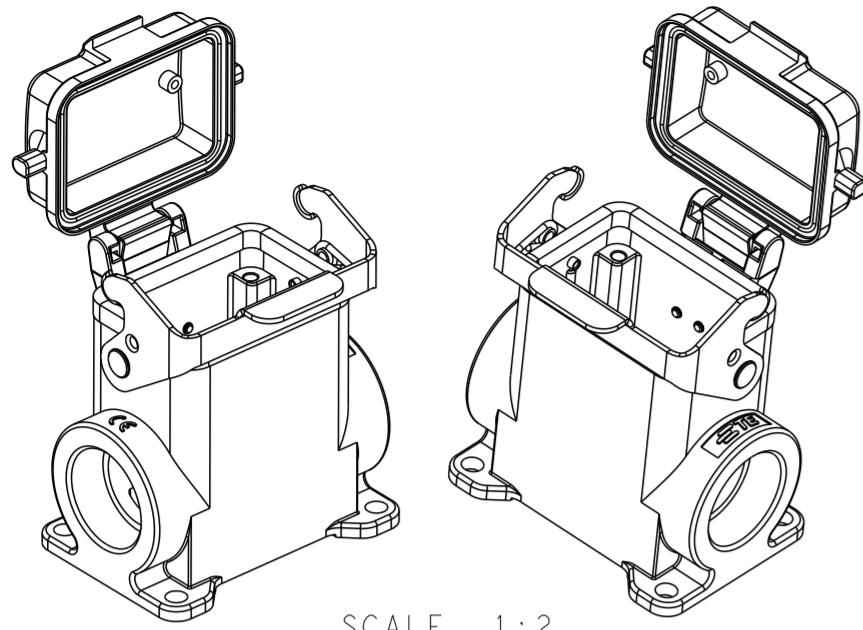
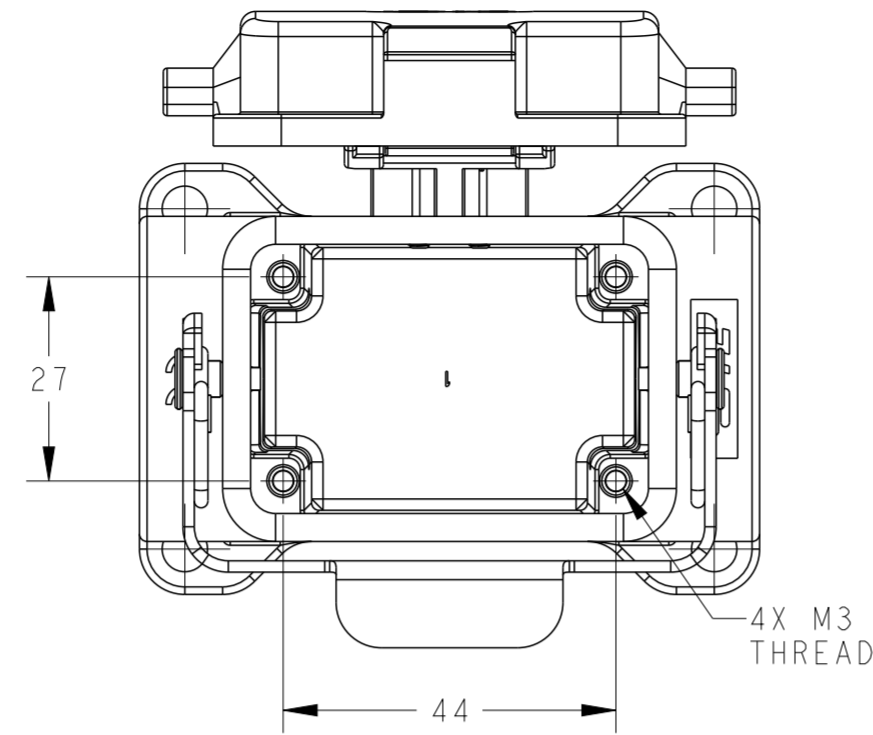


THIS DRAWING IS UNPUBLISHED. RELEASED FOR PUBLICATION 20  
 © COPYRIGHT 20 BY - ALL RIGHTS RESERVED.

REVISIONS				
P	LTR	DESCRIPTION	DATE	APVD
A		INITIAL	23JUN2015	DW CW
B		ECR-20-007968	19JUN2020	WOR CW

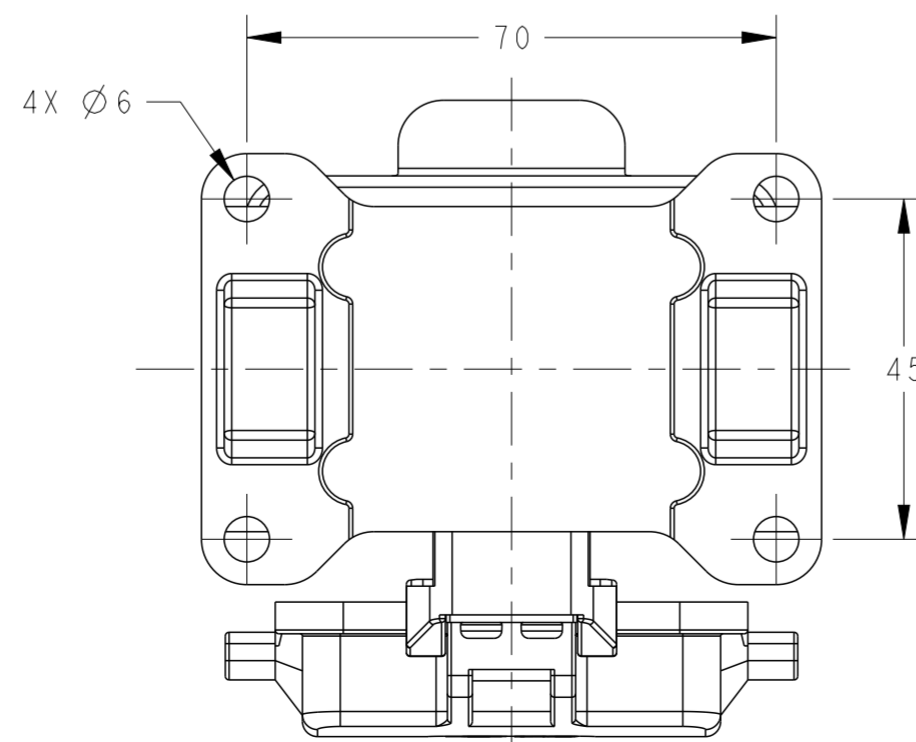
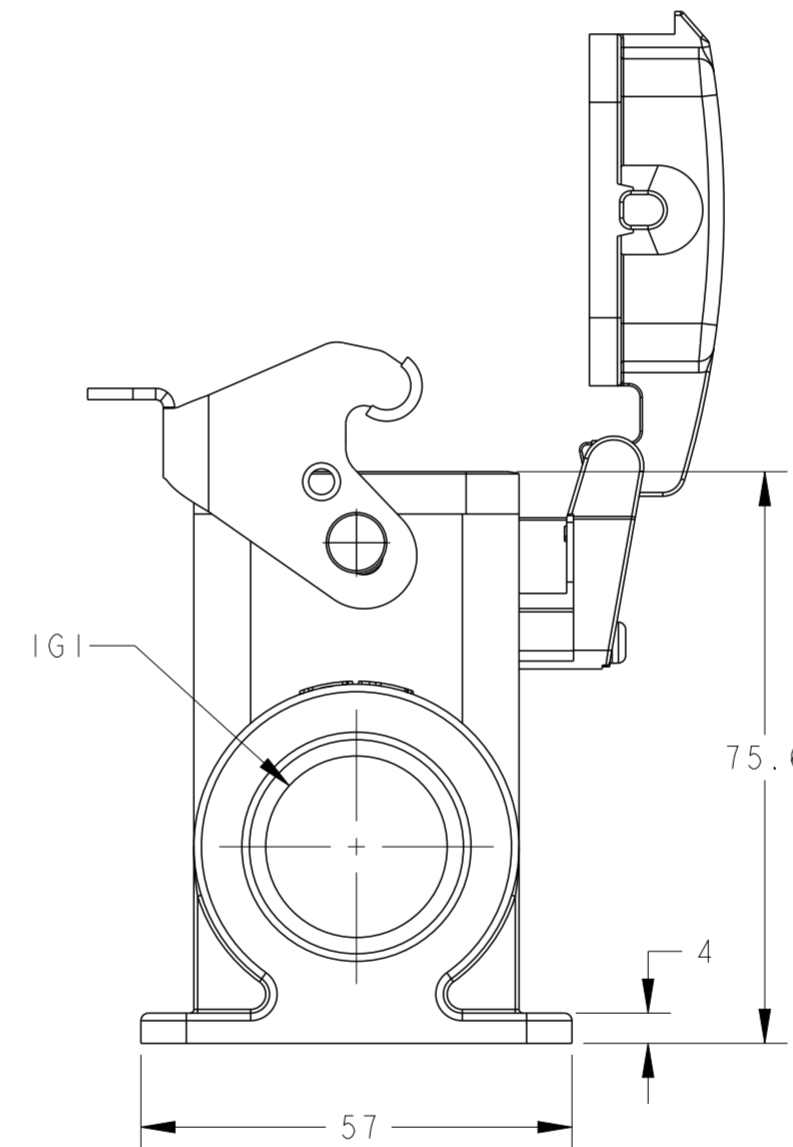
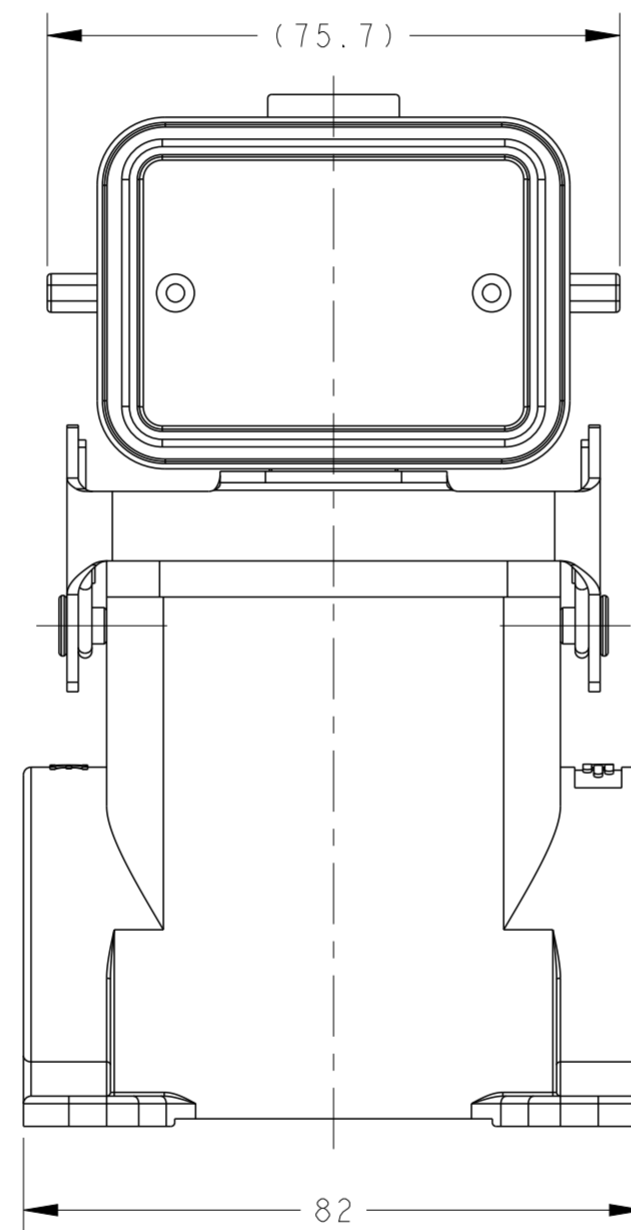
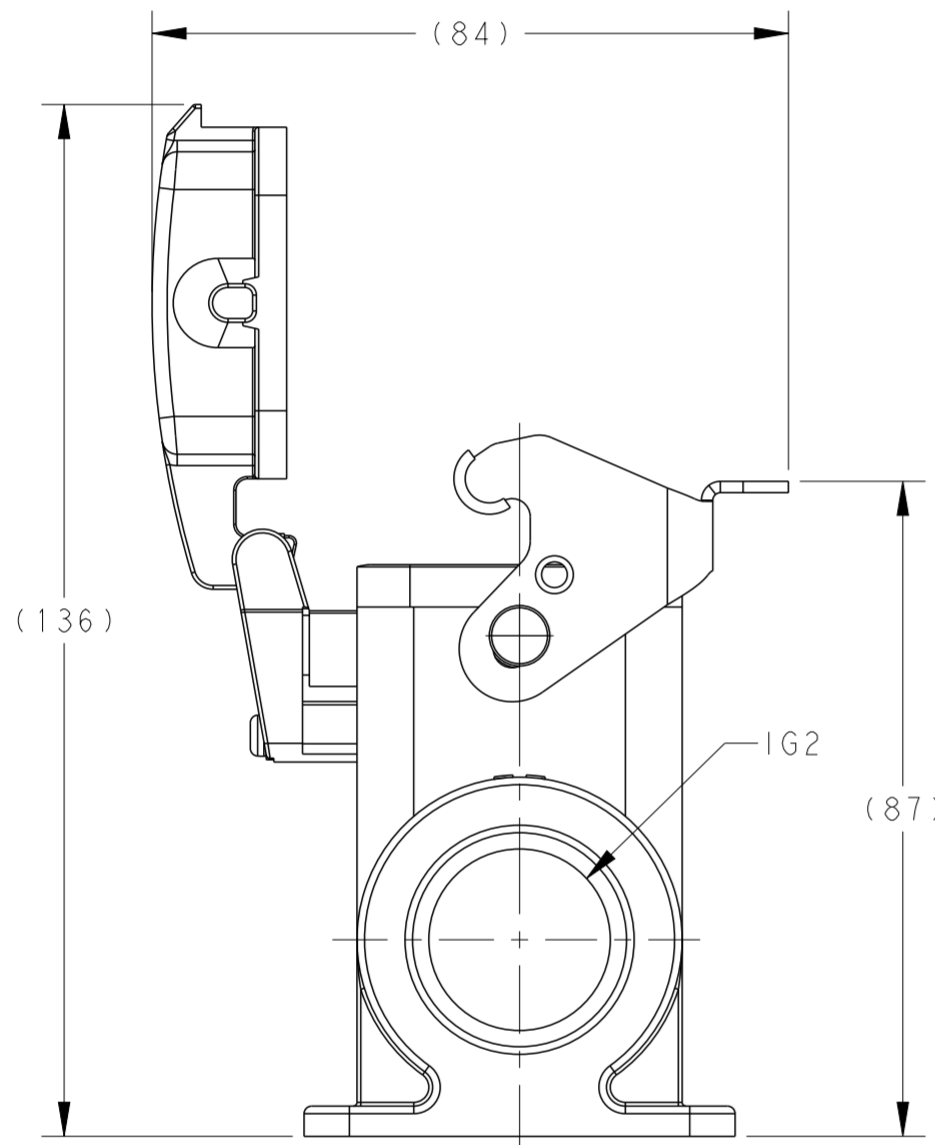


SCALE 1:2



NOTES:  
 1. TECHNICAL CHARACTERISTICS:  
 HOUSING MATERIAL: DIE CAST ALUMINIUM ALLOY  
 SURFACE: POWDER COATED, GREY  
 DEGREE OF PROTECTION: IP65 (MATED)

注释:  
 1. 技术参数:  
 下壳材料: 铝合金  
 表面处理: 粉末涂层, 灰色  
 防护等级: IP65 (配合)



T1660063121-000	H6B-SDRH-PG21	PG21	-
T1660063125-000	H6B-SDRH-M25	M25	-
T1660063129-000	H6B-SDRH-PG29	PG29	-
T1660063132-000	H6B-SDRH-M32	M32	-
T1660063221-000	H6B-SDRH-2PG21	PG21	PG21
T1660063225-000	H6B-SDRH-2M25	M25	M25
T1660063229-000	H6B-SDRH-2PG29	PG29	PG29
T1660063232-000	H6B-SDRH-2M32	M32	M32
PART NUMBER		DESCRIPTION	IG1 IG2

THIS DRAWING IS A CONTROLLED DOCUMENT.		DWN 23JUN2015 David Wang	<b>STE</b> TE Connectivity	
		CHK 23JUN2015 Chris Wang		
DIMENSIONS: mm		APVD 23JUN2015 Xiang Xu	NAME H6B-SDRH-M/PG	
TOLERANCES UNLESS OTHERWISE SPECIFIED:		PRODUCT SPEC	SIZE CAGE CODE DRAWING NO RESTRICTED TO	
0 PLC ±		108-137013	A200779 C-T1660063XXX000	
1 PLC ±		APPLICATION SPEC	SCALE 1:1 SHEET 1 OF 1 REV B	
2 PLC ±		114-137013		
3 PLC ±		WEIGHT -		
4 PLC ±		Customer Drawing		
ANGLES ±				
FINISH -				

单击下面可查看定价，库存，交付和生命周期等信息

[>>TE Connectivity\(泰科\)](#)