



THIS DRAWING IS UNPUBLISHED. RELEASED FOR PUBLICATION AUG , 2006.

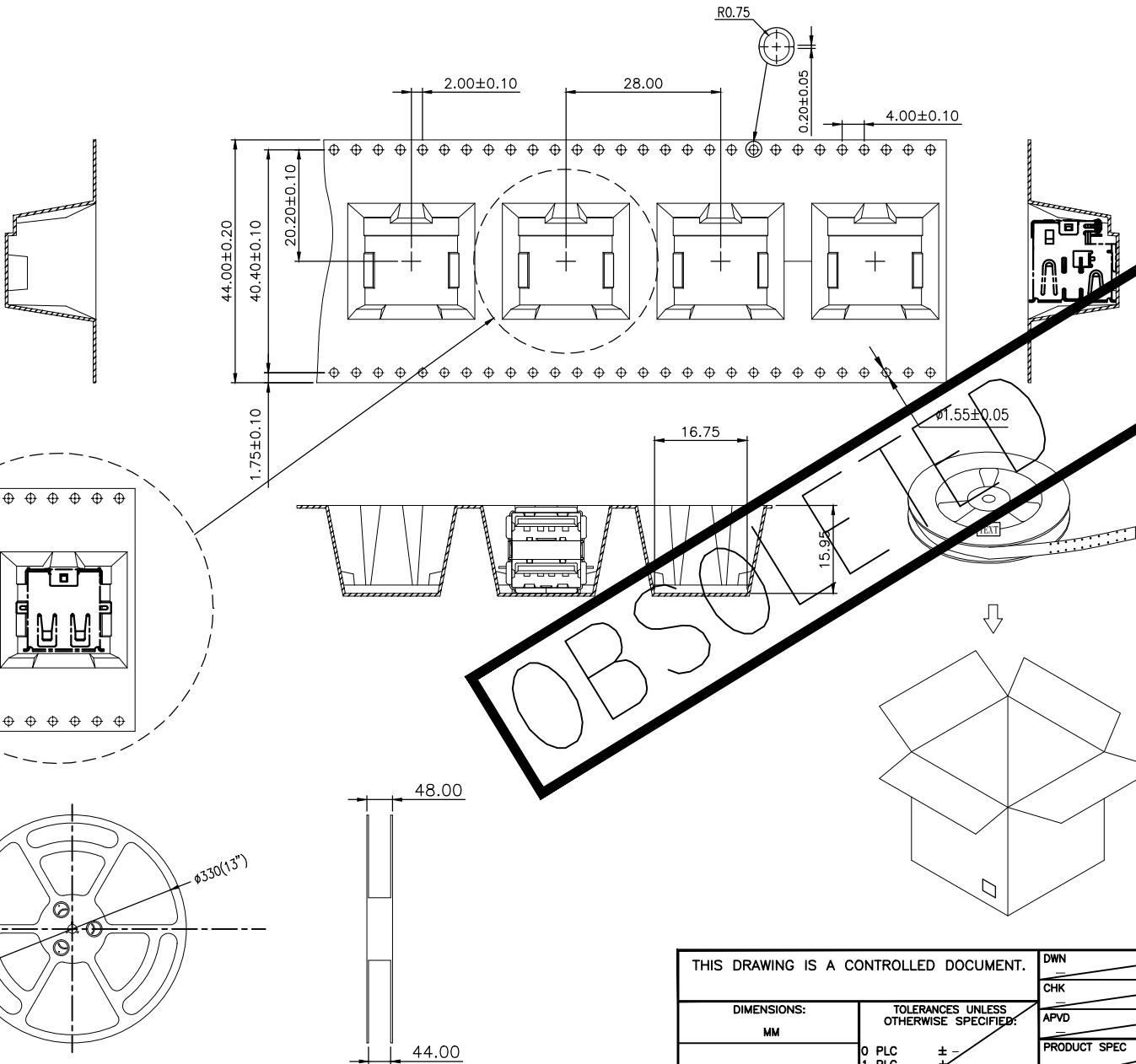
© COPYRIGHT - BY TYCO ELECTRONICS CORPORATION. ALL RIGHTS RESERVED.

LOC DW

DIST

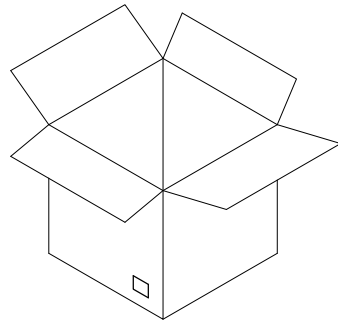
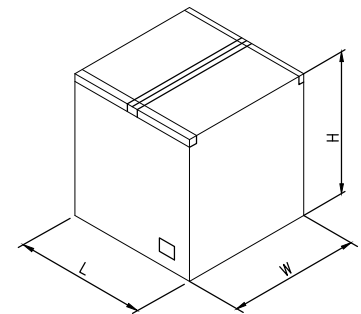
REVISIONS

P	LTR	DESCRIPTION	DATE	DWN	APVD
		SEE SHEET 1.			



NOTES:

- MATERIAL:  
REEL: PS  
EMBOSSED CARRIER: PS  
COVER TAPE: PBT
- DIMENSION:  
TAPE REEL:  $\phi 330\text{mm} \times 37.1\text{mm}$   
SHIPPING CARTON: L=350mm W=350mm H=350mm
- QUANTITY:  
PRIMARY PACKING: 150 PCS/REEL  
SECONDARY PACKING: 7 REELS CARTON(1,050PCS)
- WEIGHT:  
NET WEIGHT: 0.60KG/REEL, 4.2KG/SHIPPING CARTON.  
GROSS WEIGHT: 0.75KG/REEL, 5.3KG/SHIPPING CARTON.
- PEELING RESISTANCE: 16gf TO 102gf.
- PEELING SPEED: 300MM/MIN.



THIS DRAWING IS A CONTROLLED DOCUMENT.		DWN	TE Connectivity	
DIMENSIONS: MM		CHK	NAME	
TOLERANCES UNLESS OTHERWISE SPECIFIED:		APVD	USB CONNECTOR, A SERIES, STACKED, OFFSET TYPE	
0 PLC ± -		PRODUCT SPEC	SIZE	CAGE CODE
1 PLC ± -		APPLICATION SPEC	A3	00779
2 PLC ± -		WEIGHT	DRAWING NO	
3 PLC ± -		CUSTOMER DRAWING	C=1775462	
4 PLC ± -		SCALE	RESTRICTED TO	
ANGLES ± -		SHEET	2 OF 2	
FINISH		REV	A2	

单击下面可查看定价，库存，交付和生命周期等信息

[>>TE Connectivity\(泰科\)](#)