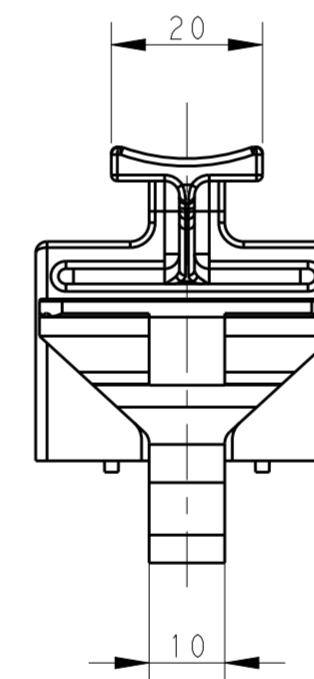
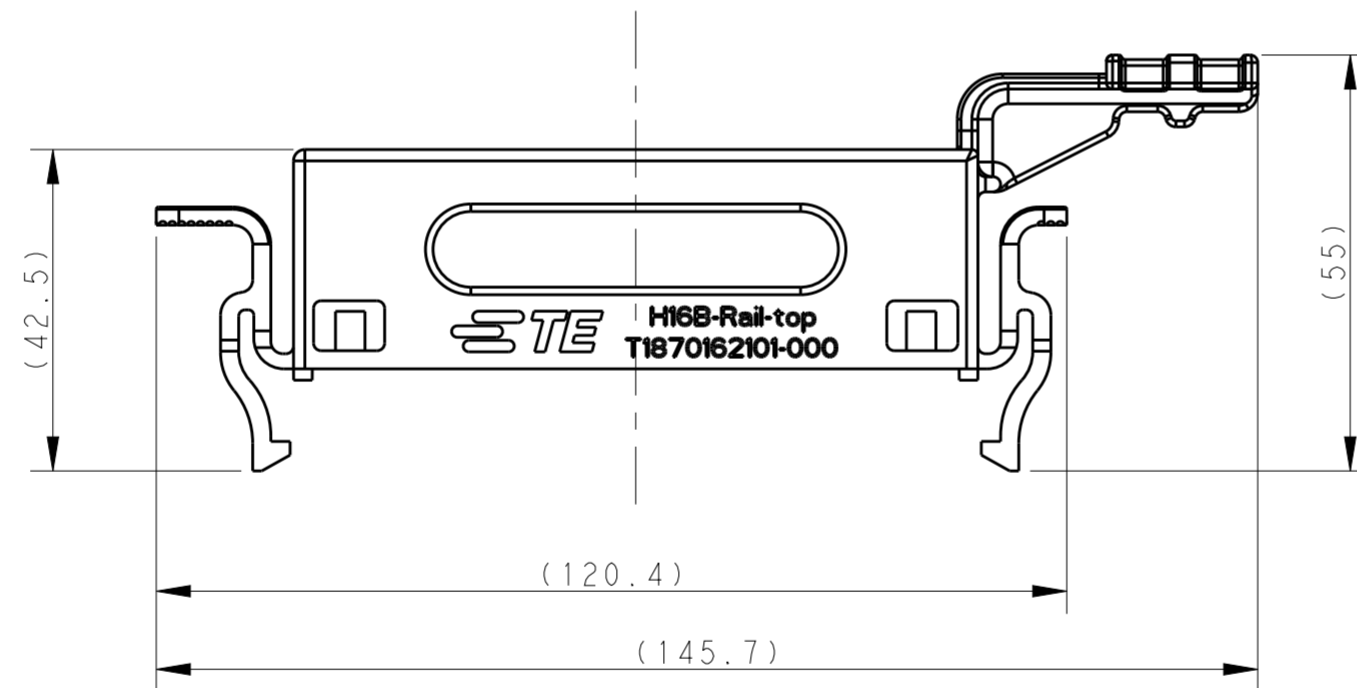
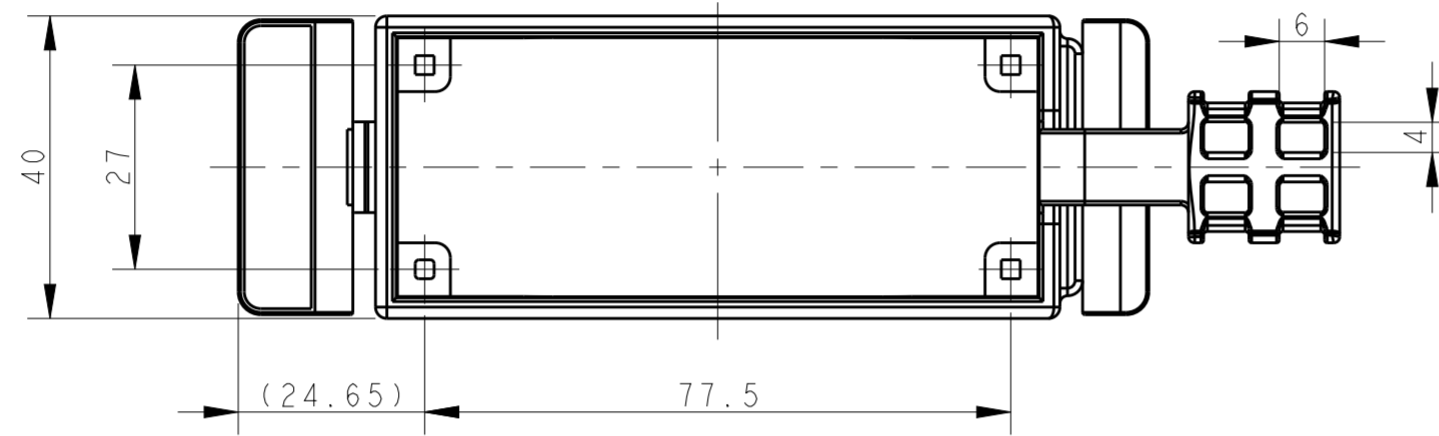
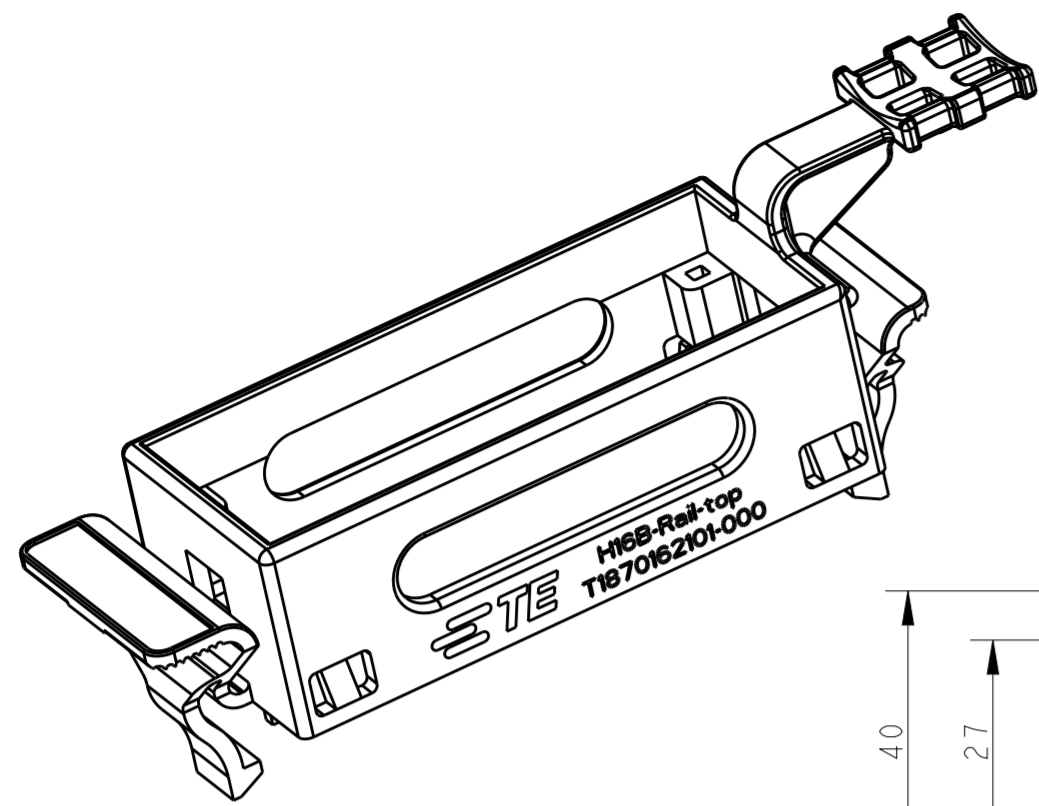


THIS DRAWING IS UNPUBLISHED. RELEASED FOR PUBLICATION 20
 © COPYRIGHT 20 BY - ALL RIGHTS RESERVED.

REVISIONS				
P	LTR	DESCRIPTION	DATE	APVD
	A	INITIAL	01FEB2016	DW CW



NOTES:

- 1. TECHNICAL CHARACTERISTICS:
 INSULATION MATERIAL: PC
 FLAMMABILITY: UL94V-0
 OPERATION TEMPERATURE: -40°C~+125°C

注释:

- 1. 技术参数:
 绝缘材料: PC
 阻燃等级: UL94V-0
 工作温度: -40°C~+125°C

T1870162101-000	H16B-RAIL-TOP	H16B INSERT MOUNTING TOP FRAME H16B 元件导轨安装支架上部
PART NUMBER 料号	PART DESCRIPTION 描述	

THIS DRAWING IS A CONTROLLED DOCUMENT.		DWN DAVID WANG 01FEB2016	TE Connectivity	
DIMENSIONS: mm		CHK CHRIS WANG 01FEB2016		
TOLERANCES UNLESS OTHERWISE SPECIFIED:		APVD XIANG XU 01FEB2016	NAME H16B-RAIL-TOP	
0 PLC ±	1 PLC ±	PRODUCT SPEC	SIZE A2	CAGE CODE -
2 PLC ±	3 PLC ±	APPLICATION SPEC	DRAWING NO. C-T1870162101000	RESTRICTED TO -
4 PLC ±	ANGLES ±	WEIGHT -	SCALE 1:1	SHEET 1 OF 1
MATERIAL -	FINISH -	CUSTOMER DRAWING	REV A	

单击下面可查看定价，库存，交付和生命周期等信息

[>>TE Connectivity\(泰科\)](#)