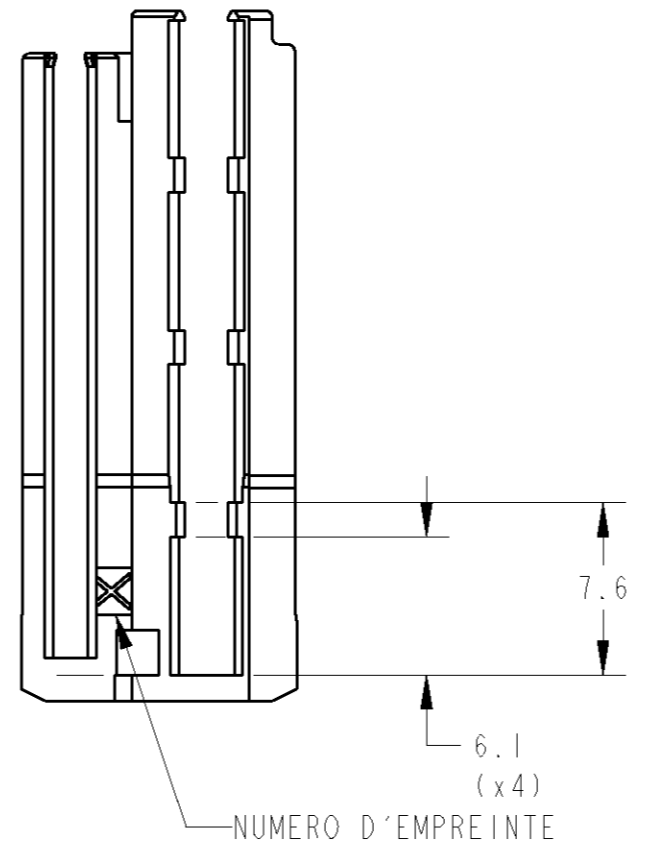
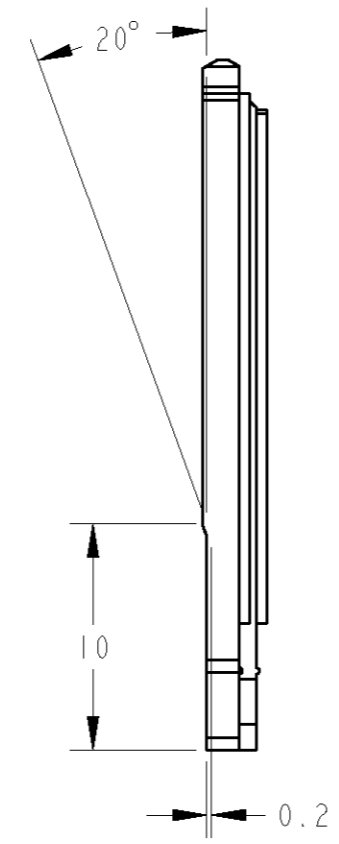
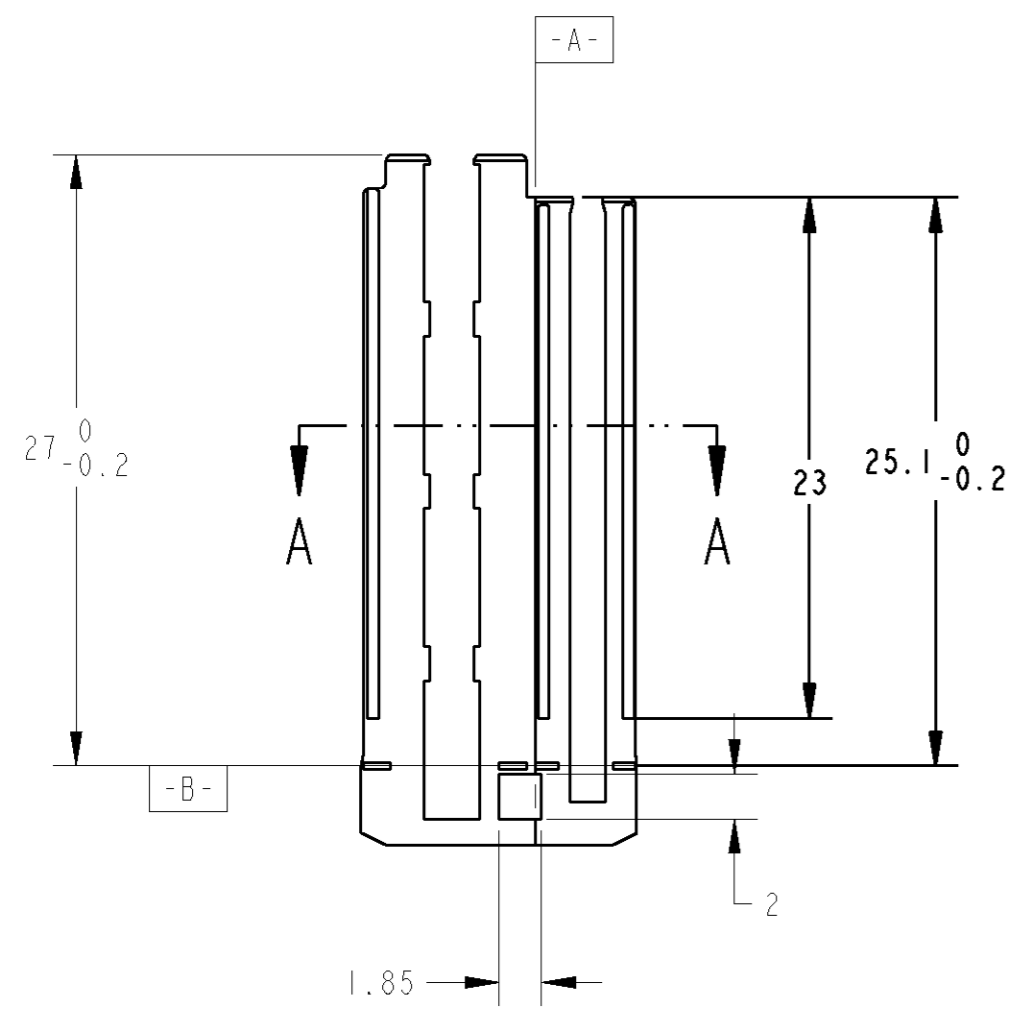
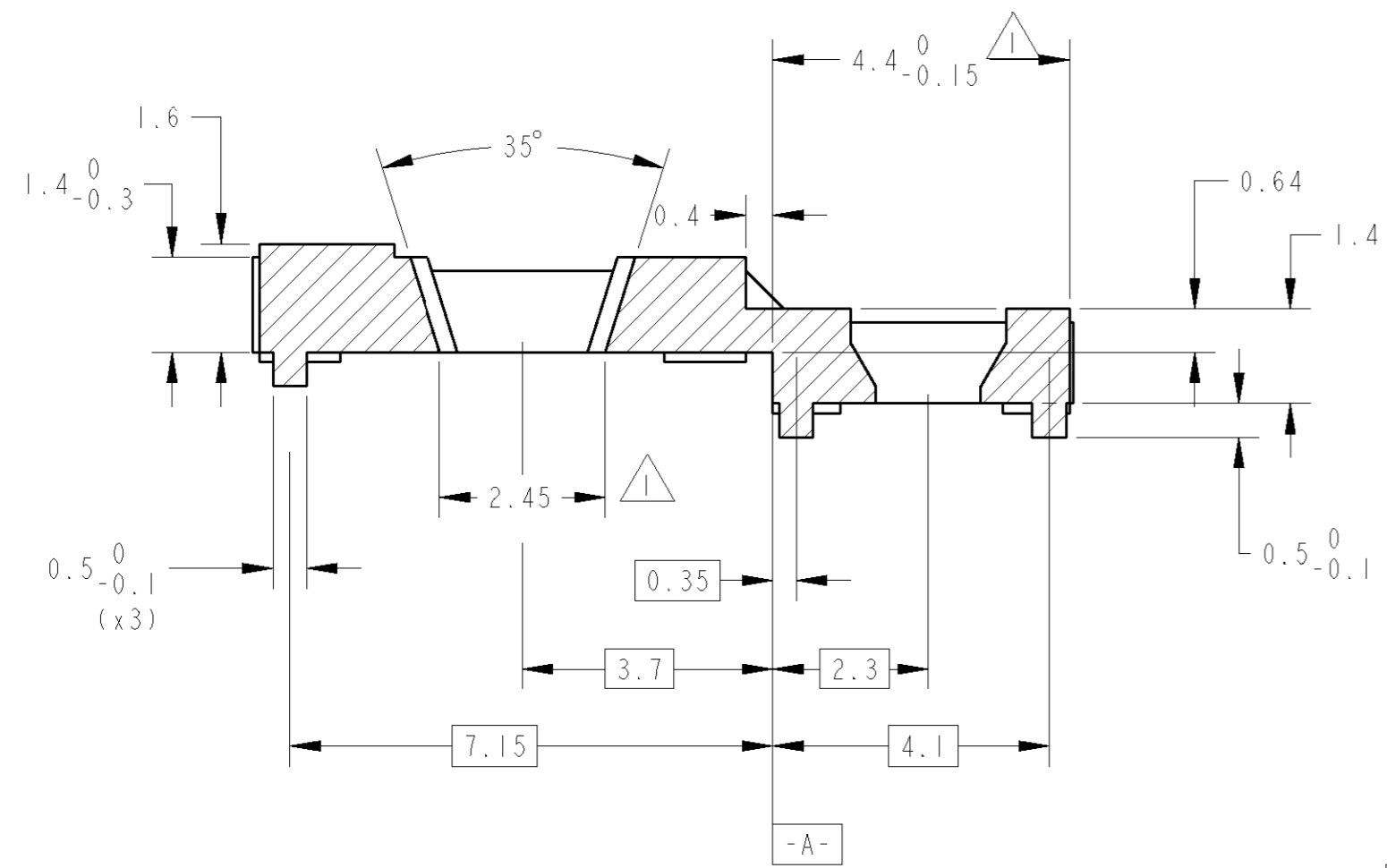


THIS DRAWING IS UNPUBLISHED. RELEASED FOR PUBLICATION. DIFFUSION RESTREINTE. LIBRE A LA DIFFUSION. BY AMP INCORPORATED. ALL RIGHTS RESERVED. TOUS DROITS RESERVES.

LOC	DIST	REVISIONS					
F	7	P	LTR	DESCRIPTION MODIFICATIONS	DATE	DWN DESS.	APVD APP.
		A		DESIGN CHANGE	21SEP 98	RB	-
		B		ORANGE WAS WHITE	20-OCT-98	RB	
		C		PVS-5H WAS PBT 20% FV	14-DEC-98	RB	
		D		2MM RIB ADDITION UP TO 1.6 THICK	27APR2000	JPP	JJR



SECTION A-A  
SCALE 10:1



△ ADMISSIBLE NIPPING 0.2 PINCEMENT ADMISSIBLE 0.2

953048-1	PA 6-50% FV	ORANGE
AMP REF. (REF. AMP)	MATERIAL (MATIERE)	COLOR (COULEUR)

<small>THIS DRAWING IS A CONTROLLED DOCUMENT FOR AMP INCORPORATED. IT IS SUBJECT TO CHANGE AND THE CONTROLLING ENGINEERING ORGANIZATION SHOULD BE CONTACTED FOR THE LATEST REVISION. CE PLAN EST UN DOCUMENT CONTROLÉ PAR AMP INCORPORATED. IL EST SUSCEPTIBLE D'ÊTRE REVISÉ. CONTACTER LE SERVICE TECHNIQUE D'AMP DE FRANCE POUR OBTENIR LA DERNIÈRE REVISION.</small>		DWN / DESSINE 8-Jan-97 CHK / VÉRIFIÉ Regis BONNET 18-JUL-97 APVD / APPROUVÉ JP PICAUD 18-JUL-97 SPEC. PRODUIT 108-15172 APPLICATION SPEC 411-15599	<b>AMP</b> AMP DE FRANCE 95301 PONTOISE
DIMENSIONS: mm TOLERANCES UNLESS OTHERWISE SPECIFIED: (SILLY NR DE DECIMALES) ±0.2 ANGLES: ±5° FINISH: SEE TABLE	NAME: MT/SPT SECONDARY LOCK TITRE: FOR 31 WAYS HYBRID TIMER CONNECTOR ERROU SECONDAIRE MT/SPT POUR CONNECTIQUE 31 VOIES TIMER HYBRIDE	SIZE: A2 CAGE CODE: 00779 DRAWING NO: No PLAN No PLAN C=953048	RESTRICTED TO RESERVE A - REV D
MATERIAL MATIERE: SEE TABLE		WEIGHT MASSE APPROX.: 0.35gr CUSTOMER DRAWING / PLAN CLIENT	UNIFORMEMENT POUR REFERENCE: SCALE ECHELLE 3:1 SHEET FEUILLE OF DE REV

单击下面可查看定价，库存，交付和生命周期等信息

[>>TE Connectivity\(泰科\)](#)