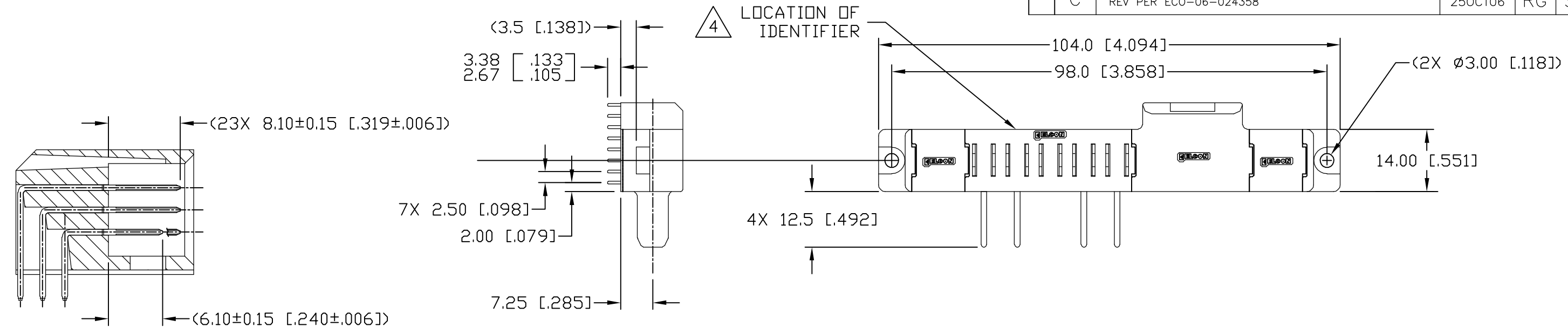
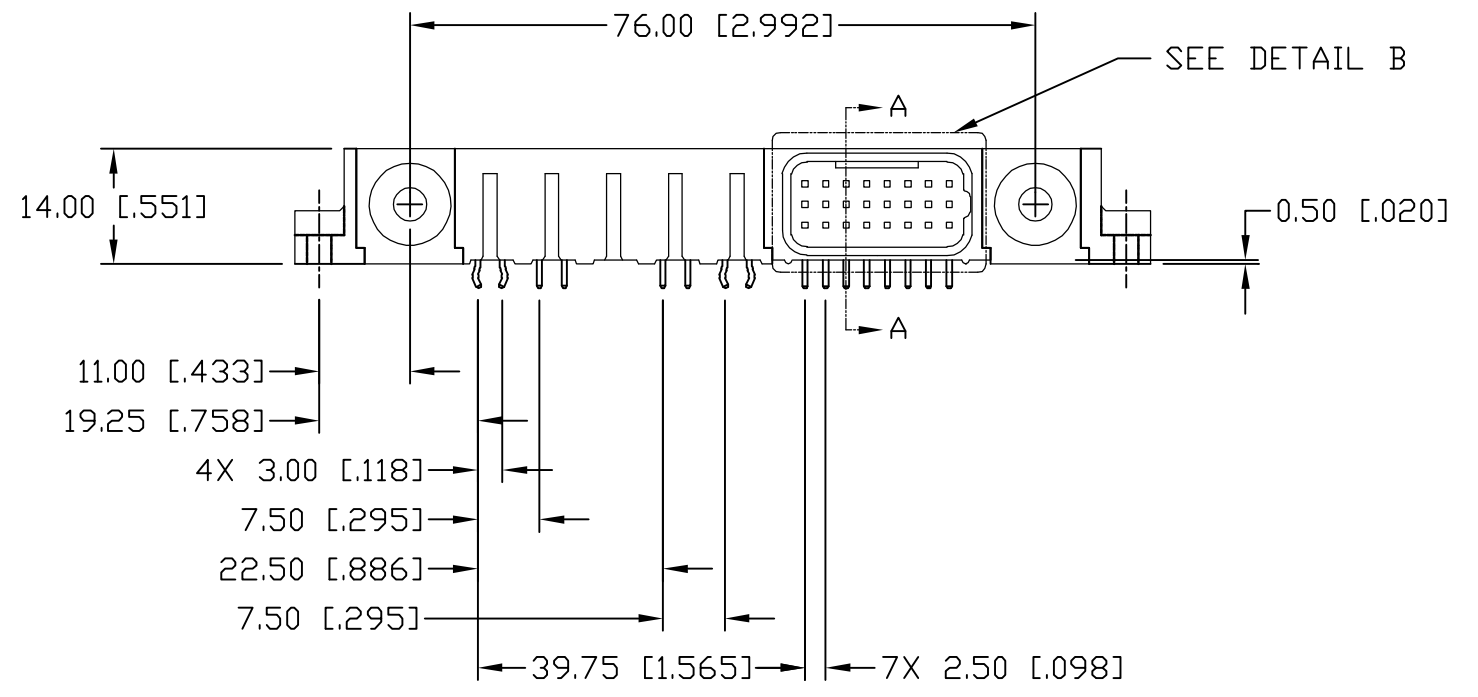


THIS DRAWING IS UNPUBLISHED. RELEASED FOR PUBLICATION  
 © COPYRIGHT BY TYCO ELECTRONICS CORPORATION. ALL RIGHTS RESERVED.

LOC	DIST	REVISIONS					
GP	00	P	LTR	DESCRIPTION	DATE	DWN	APVD
			C	REV PER ECO-06-024358	25OCT06	RG	SF



SECTION A-A  
 SCALE: 2:1



NOTES: UNLESS OTHERWISE SPECIFIED.

- PART NUMBER CHANGES AND OR DESIGN CHANGES AFFECTING ITEM INTERCHANGEABILITY REQUIRE PRIOR TYCO APPROVAL AND AUTHORIZATION BY REVISION TO THIS DRAWING.
- MATERIALS:  
 INSULATORS: THERMOPLASTIC, GLASS REINFORCED, COLOR BLACK. UL94V-0 FLAMMABILITY RATED.  
 SOLDER SIGNAL PIN: BRASS ALLOY.  
 POWER CONTACTS: PHOSPHOR-BRONZE ALLOY. COPPER ALLOY.  
 CROWN BANDS: BERYLLIUM-COPPER ALLOY.
- FINISHES:  
 CONTACTS: GOLD PLATED .00076 [.000030] MIN THICK OVER NICKEL .00130 [.000050] MIN THICK.  
 SOLDER TAILS: TIN PLATED MATT FINISH MIN. .0030 [.000120] THICKNESS.

△ ITEMS PROVIDED TO THIS SPECIFICATION TO BE PERMANENTLY IDENTIFIED PER THE FOLLOWING IDENTIFIER:  
 YEAR WEEK



△ NON STANDARD 24 SIGNAL PIN CONTACT.

AS SHOWN	6651330-2
DESCRIPTION	PART NUMBER

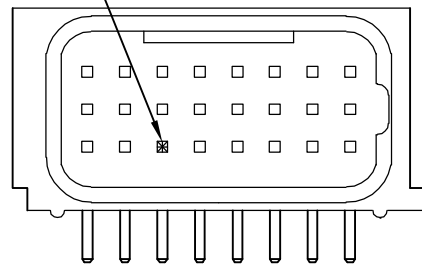
THIS DRAWING IS A CONTROLLED DOCUMENT.		DWN	06/20/05	Tyco Electronics Corporation Harrisburg, PA 17105-3608					
DIMENSIONS: mm [INCHES]		CHK	M.ALIM			NAME			
TOLERANCES UNLESS OTHERWISE SPECIFIED:		APVD	D.CHAU						
0 PLC ± - 1 PLC ± 0.3 [.012] 2 PLC ± 0.15 [.006] 3 PLC ± - 4 PLC ± - ANGLES ± 5°		PRODUCT SPEC	-			PIN CONNECTOR, RT ANGLE, SLDR SHORT TAIL 1 PIECE BLADE, FLATPAQ			
MATERIAL		FINISH	-	SIZE	CAGE CODE		DRAWING NO	RESTRICTED TO	
SEE LIST OF MATERIALS		-		WEIGHT	A3 00779 C-6651330		-		
CUSTOMER DRAWING				SCALE	1:1	SHEET	1 OF 3	REV	C

ELCON FLATPAQ

THIS DRAWING IS UNPUBLISHED. RELEASED FOR PUBLICATION  
 © COPYRIGHT BY TYCO ELECTRONICS CORPORATION. ALL RIGHTS RESERVED.

LOC	DIST	REVISIONS					
GP	00	P	LTR	DESCRIPTION	DATE	DWN	APVD
				SEE SHEET 1			

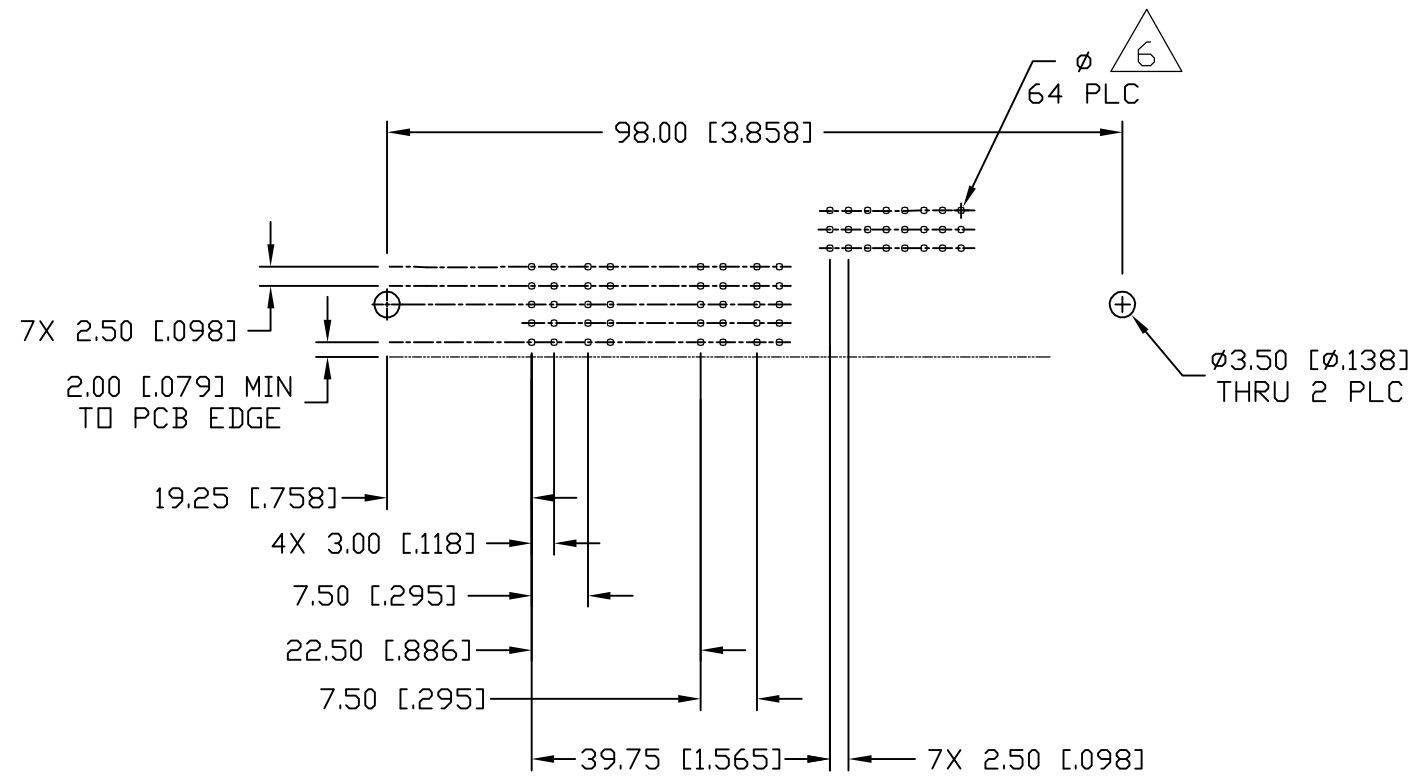
STANDARD PIN  
 POSN 3



KEY:

- ⊗ STANDARD PIN
- PREMATE PIN (23 PLACES)

DETAIL B  
 SCALE 2:1



PRINTED CIRCUIT LAYOUT

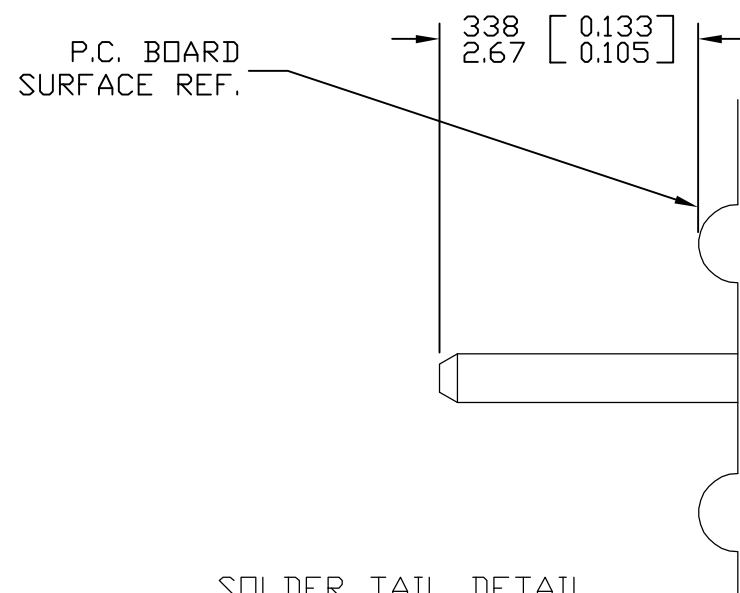
CONNECTOR	CATALOG MODULE #	QTY	SIZE NO.	CONTACT QTY	MATING PIN	MAX. CURRENT (PER CONTACT)	CONTACT SPACING	VOLTAGE RATING*
PIN	FP151	4	8	4	1.25 X 7.00 [0.049 X .276]	35 AMPERES	7.50 [0.2953]	250 VOLTS
	FP512	1	N/A	N/A	N/A	N/A	N/A	250 VOLTS
	FP302	1	22	24	.64 [0.025] SQ.	3 AMPERES	2.50 [0.0984]	125 VOLTS
	FP0500	1	LEFT MOUNTING FLANGE					
	FP0501	1	RIGHT MOUNTING FLANGE					

THIS DRAWING IS A CONTROLLED DOCUMENT.		DWN	06/20/05	Tyco Electronics Corporation Harrisburg, PA 17105-3608
DIMENSIONS: mm [INCHES]		CHK	M.ALIM	
TOLERANCES UNLESS OTHERWISE SPECIFIED:		APVD	D.CHAU	
0 PLC ± - 1 PLC ± 0.3 [.012] 2 PLC ± 0.15 [.006] 3 PLC ± - 4 PLC ± - ANGLES ± 5°		PRODUCT SPEC	-	
MATERIAL		FINISH		NAME
SEE LIST OF MATERIALS		-		PIN CONNECTOR, RT ANGLE, SLDR SHORT TAIL 1 PIECE BLADE, FLATPAQ
		WEIGHT	-	SIZE
		CUSTOMER DRAWING		A300779
		SCALE		1:1
		SHEET		2 OF 3
		REV		C
		DRAWING NO		G-6651330
		RESTRICTED TO		-

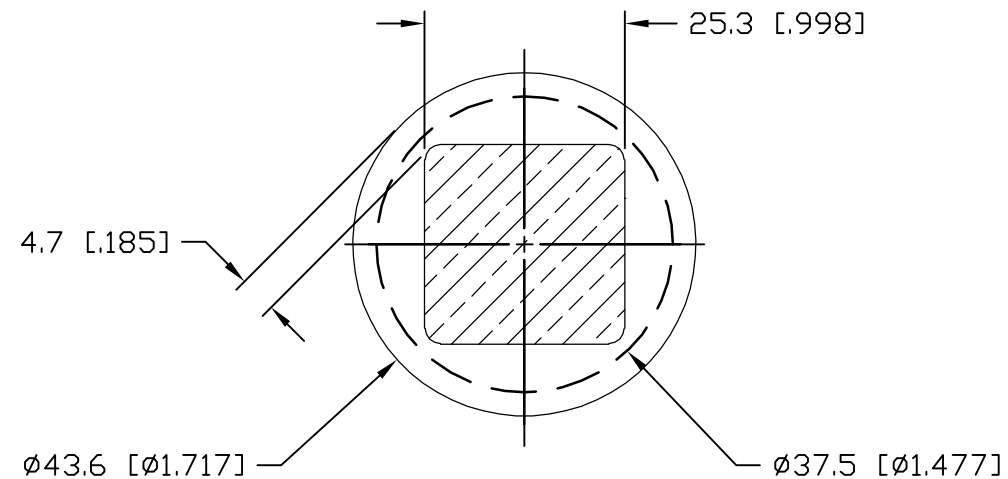
ELCON FLATPAQ

THIS DRAWING IS UNPUBLISHED. RELEASED FOR PUBLICATION - , - .  
 © COPYRIGHT - BY TYCO ELECTRONICS CORPORATION. ALL RIGHTS RESERVED.

LOC	DIST	REVISIONS					
GP	00	P	LTR	DESCRIPTION	DATE	DWN	APVD
		-		SEE SHEET 1	-	-	-



SOLDER TAIL DETAIL  
SCALE: 10 : 1



△ 6 SOLDER TERMINATION AREA

SCALE: 40 : 1  
 RECOMMENDED PRINTED CIRCUIT HOLE  
 SOLDER OR COMPLIANT PRESS FIT  
 FINISHED HOLE: Ø1.02 [ .040 ] ±.08 [ .003 ]  
 DRILLED HOLE: Ø1.15 [ .0453 ] ±.013 [ .0005 ]  
 COPPER PLATE: .025 [ .0010 ] MINIMUM (PER SURFACE)  
 TIN PLATE: .008 [ .0003 ] MINIMUM (PER SURFACE)

THIS DRAWING IS A CONTROLLED DOCUMENT.		DWN HA NGUYEN 06/20/05	Tyco Electronics Corporation Harrisburg, PA 17105-3608	
DIMENSIONS: mm [INCHES]		CHK M.ALIM		
TOLERANCES UNLESS OTHERWISE SPECIFIED:		PRODUCT SPEC		NAME PIN CONNECTOR, RT ANGLE, SLDR SHORT TAIL 1 PIECE BLADE, FLATPAQ
0 PLC ± - 1 PLC ± 0.3 [ .012 ] 2 PLC ± 0.15 [ .006 ] 3 PLC ± - 4 PLC ± - ANGLES ± 5°		APPLICATION SPEC		SIZE A3
MATERIAL SEE LIST OF MATERIALS		WEIGHT -		CAGE CODE 00779
		DRAWING NO C-6651330		RESTRICTED TO -
CUSTOMER DRAWING			SCALE 1:1	SHEET 3 of 3
			REV C	

ELCON FLATPAQ

单击下面可查看定价，库存，交付和生命周期等信息

[>>TE Connectivity\(泰科\)](#)