

- THIS CONNECTOR ASSEMBLY IS SUPPLIED WITH METAL CONTACT RETENTION CLIPS INSTALLED IN THE INSERT ASSEMBLY.
- THIS CONNECTOR ASSEMBLY MEETS THE REQUIREMENTS OF LORAL SPEC 010772 AND MATES WITH ANY PLUG CONNECTOR WITH SAME INSERT ARRANGEMENT.
- MARK WITH .047 [1.19]-.062 [1.57] HIGH CHARACTERS. FAR SIDE REFERS TO THE WIDE SIDE OF THE KEYSTONE. NEAR SIDE REFERS TO THE NARROW SIDE OF THE KEYSTONE. IF THE REAR SHELL IS TOO SMALL FOR THE ENTIRE CUSTOMER PART NUMBER, MARKING SHALL BE LOCATED AS FOLLOWS:
 - CUSTOMER BASE NUMBER, ON FRONT SHELL, FAR SIDE.
 - CUSTOMER DASH NUMBER ON REAR SHELL, FAR SIDE.
 - "AMP" AND DATE CODE ON FRONT SHELL, NEAR SIDE.
 - AMP PART NUMBER ON REAR SHELL, NEAR SIDE.
- POINT OF ELECTRICAL ENGAGEMENT - AS MEASURED WITH A .039 [0.99] - .041 [1.04] DIAMETER SQUARE ENDED TEST PIN. CONTACT SHOWN INSTALLED FOR DIMENSIONAL REFERENCE ONLY.
- MAXIMUM WIRE INSULATION TO BE USED WITH THIS CONNECTOR ASSEMBLY IS .072 [1.83] DIAMETER.
- FOR CONTACT CRIMPING INSTRUCTION SHEET REFER TO AMP IS 7516. FOR CONTACT INSTALLATION AND REMOVAL INSTRUCTION SHEET REFER TO AMP IS 7508.
- DIMENSIONS AND TOLERANCES PER ANSI Y14.5M-1982.
- THIS DRAWING SHALL BE INTERPRETED IN ACCORDANCE WITH APPLICABLE STANDARDS LISTED IN MIL-STD-100.

| | | | | | | | | | | | | | | | | |
|---|----------------------------|------------------------------|--------------------------------|----------------------------|------------------------------|------------------------------|------------------------------|--------------------------------|--------------------------------|--------------------------------|--------------------|-----------|------------|---------------------------|----------------------|-------------|
| PRELIMINARY-NOT RELEASED FOR PRODUCTION | .040 [1.02] .020 [0.51] | .432 [10.97] .412 [10.46] | 1.093 [27.76] 1.073 [27.25] | .248 [6.30] .238 [6.05] | .439 [11.15] .419 [10.64] | .509 [12.93] .479 [12.17] | .316 [8.03] .306 [7.77] | 1.317 [33.45] 1.307 [33.20] | .976 [24.79] .966 [24.54] | 1.556 [39.52] 1.526 [38.76] | MS18274-1 | 15 | 2 | B010772-0043 | 3-448816-2 | 3-448816-2 |
| PRELIMINARY-NOT RELEASED FOR PRODUCTION | .049 [1.24] .029 [0.74] | .544 [13.82] .524 [13.31] | 2.188 [55.58] 2.168 [55.07] | | | .620 [15.75] .590 [14.99] | .428 [10.87] .418 [10.62] | 2.411 [61.24] 2.401 [60.99] | 2.069 [52.55] 2.059 [52.30] | 2.650 [67.31] 2.620 [66.55] | MS18277-1 | 50 | 5 | B010772-0032 | 1-448816-5 | 1-448816-5 |
| PRELIMINARY-NOT RELEASED FOR PRODUCTION | | | 2.282 [57.96] 2.262 [57.45] | .248 [6.30] .238 [6.05] | .439 [11.15] .419 [10.64] | | | 2.505 [63.63] 2.495 [63.37] | 2.164 [54.97] 2.154 [54.71] | 2.744 [69.70] 2.714 [68.94] | MS18276-1 | 37 | 4 | B010772-0030 | 1-448816-4 | 1-448816-4 |
| PRELIMINARY-NOT RELEASED FOR PRODUCTION | .040 [1.02] .020 [0.51] | .432 [10.97] .412 [10.46] | 1.635 [41.53] 1.615 [41.02] | .248 [6.30] .238 [6.05] | .439 [11.15] .419 [10.64] | .509 [12.93] .479 [12.17] | .316 [8.03] .306 [7.77] | 1.857 [47.17] 1.847 [46.91] | 1.516 [38.51] 1.506 [38.25] | 2.103 [53.42] 2.073 [52.65] | MS18275-1 | 25 | 3 | B010772-0028 | 1-448816-3 | 1-448816-3 |
| PRELIMINARY-NOT RELEASED FOR PRODUCTION | | | 1.093 [27.76] 1.073 [27.25] | | | | | 1.317 [33.45] 1.307 [33.20] | .976 [24.79] .966 [24.54] | 1.556 [39.52] 1.526 [38.76] | MS18274-1 | 15 | 2 | B010772-0026 | 1-448816-2 | 1-448816-2 |
| | | | .769 [19.53] .749 [19.02] | | | | | .989 [25.12] .979 [24.87] | .648 [16.46] .638 [16.21] | 1.228 [31.19] 1.198 [30.43] | MS18273-1 | 9 | 1 | B010772-0024 | 1-448816-1 | 1-448816-1 |
| | .049 [1.24] .029 [0.74] | .544 [13.82] .524 [13.31] | 2.188 [55.58] 2.168 [55.07] | | | .620 [15.75] .590 [14.99] | .428 [10.87] .418 [10.62] | 2.411 [61.24] 2.401 [60.99] | 2.069 [52.55] 2.059 [52.30] | 2.650 [67.31] 2.620 [66.55] | MS18277-1 | 50 | 5 | A010772-0010 | 1-448816-0 | 1-448816-0 |
| | | | 2.282 [57.96] 2.262 [57.45] | .248 [6.30] .238 [6.05] | .439 [11.15] .419 [10.64] | | | 2.505 [63.63] 2.495 [63.37] | 2.164 [54.97] 2.154 [54.71] | 2.744 [69.70] 2.714 [68.94] | MS18276-1 | 37 | 4 | A010772-0008 | 448816-9 | 448816-9 |
| | | .432 [10.97] .412 [10.46] | 1.635 [41.53] 1.615 [41.02] | .248 [6.30] .238 [6.05] | .439 [11.15] .419 [10.64] | .509 [12.93] .479 [12.17] | .316 [8.03] .306 [7.77] | 1.857 [47.17] 1.847 [46.91] | 1.516 [38.51] 1.506 [38.25] | 2.103 [53.42] 2.073 [52.65] | MS18275-1 | 25 | 3 | A010772-0006 | 448816-8 | 448816-8 |
| | .040 [1.02] .020 [0.51] | | 1.093 [27.76] 1.073 [27.25] | | | | | 1.317 [33.45] 1.307 [33.20] | .976 [24.79] .966 [24.54] | 1.556 [39.52] 1.526 [38.76] | MS18274-1 | 15 | 2 | A010772-0004 | 448816-7 | 448816-7 |
| | | | .769 [19.53] .749 [19.02] | | | | | .989 [25.12] .979 [24.87] | .648 [16.46] .638 [16.21] | 1.228 [31.19] 1.198 [30.43] | MS18273-1 | 9 | 1 | A010772-0002 | 448816-6 | 448816-6 |
| | .049 [1.24] .029 [0.74] | .544 [13.82] .524 [13.31] | 2.188 [55.58] 2.168 [55.07] | | | .620 [15.75] .590 [14.99] | .428 [10.87] .418 [10.62] | 2.411 [61.24] 2.401 [60.99] | 2.069 [52.55] 2.059 [52.30] | 2.650 [67.31] 2.620 [66.55] | MS18277-1 | 50 | 5 | B010772-0010 | 448816-5 | 448816-5 |
| | | | 2.282 [57.96] 2.262 [57.45] | .248 [6.30] .238 [6.05] | .439 [11.15] .419 [10.64] | | | 2.505 [63.63] 2.495 [63.37] | 2.164 [54.97] 2.154 [54.71] | 2.744 [69.70] 2.714 [68.94] | MS18276-1 | 37 | 4 | B010772-0008 | 448816-4 | 448816-4 |
| | | .432 [10.97] .412 [10.46] | 1.635 [41.53] 1.615 [41.02] | .248 [6.30] .238 [6.05] | .439 [11.15] .419 [10.64] | .509 [12.93] .479 [12.17] | .316 [8.03] .306 [7.77] | 1.857 [47.17] 1.847 [46.91] | 1.516 [38.51] 1.506 [38.25] | 2.103 [53.42] 2.073 [52.65] | MS18275-1 | 25 | 3 | B010772-0006 | 448816-3 | 448816-3 |
| | .040 [1.02] .020 [0.51] | | 1.093 [27.76] 1.073 [27.25] | | | | | 1.317 [33.45] 1.307 [33.20] | .976 [24.79] .966 [24.54] | 1.556 [39.52] 1.526 [38.76] | MS18274-1 | 15 | 2 | B010772-0004 | 448816-2 | 448816-2 |
| | | | .769 [19.53] .749 [19.02] | | | | | .989 [25.12] .979 [24.87] | .648 [16.46] .638 [16.21] | 1.228 [31.19] 1.198 [30.43] | MS18273-1 | 9 | 1 | B010772-0002 | 448816-1 | 448816-1 |
| L | J | H | G | F | E | D | C | B | A | | INSERT ARRANGEMENT | NO OF POS | SHELL SIZE | CUSTOMER P/N ON CONNECTOR | AMP P/N ON CONNECTOR | PART NUMBER |

THIS DRAWING IS A CONTROLLED DOCUMENT.

| | | | | | | | |
|--------------------|--|--------------|--------------|--------------|--------------|--------------|--------------|
| DIMENSIONS: INCHES | TOLERANCES UNLESS OTHERWISE SPECIFIED: | 0 PLC ± .005 | 1 PLC ± .005 | 2 PLC ± .005 | 3 PLC ± .005 | 4 PLC ± .005 | ANGLES ± .1° |
|--------------------|--|--------------|--------------|--------------|--------------|--------------|--------------|

MATERIAL: SEE CALLOUTS FINISH: SEE CALLOUTS

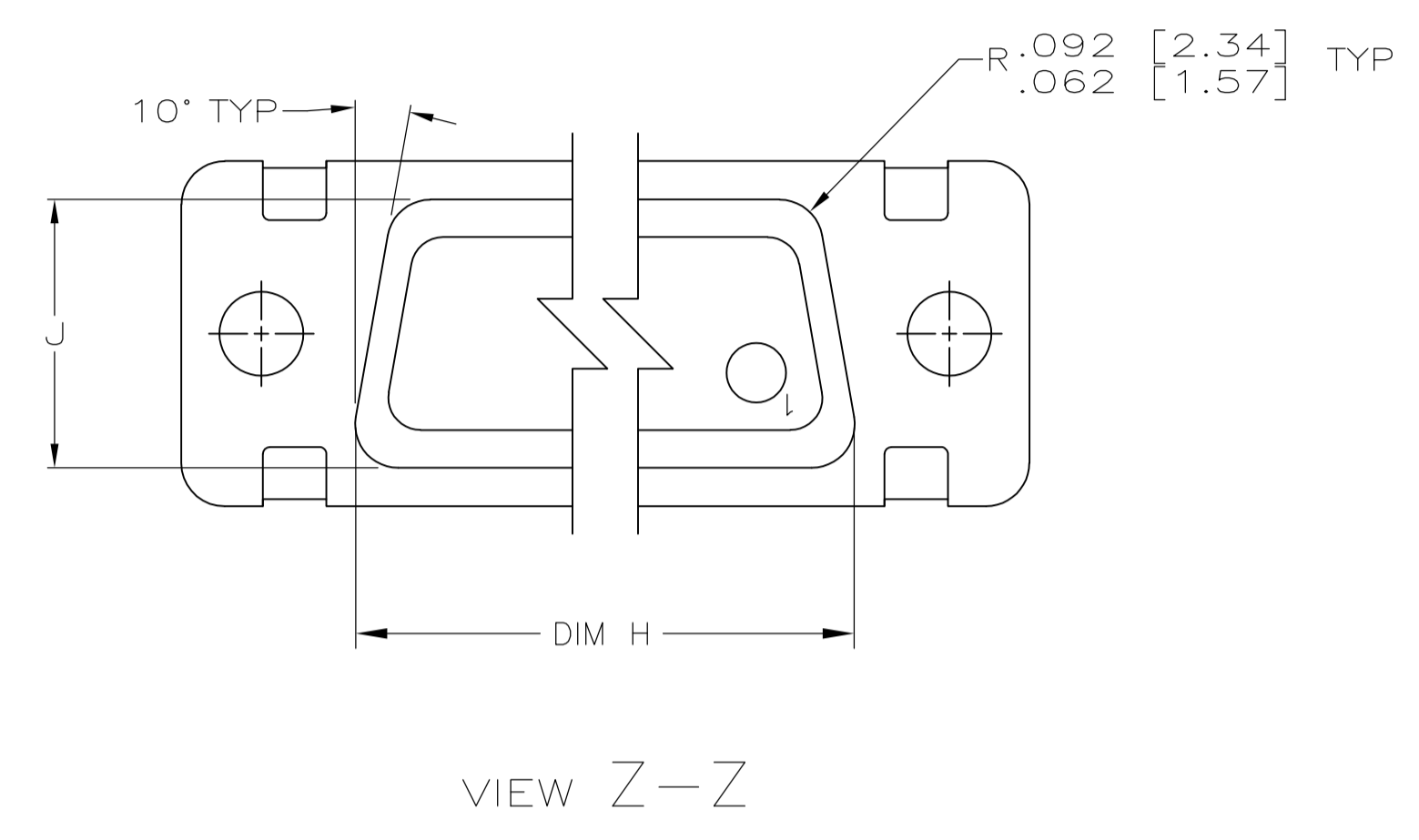
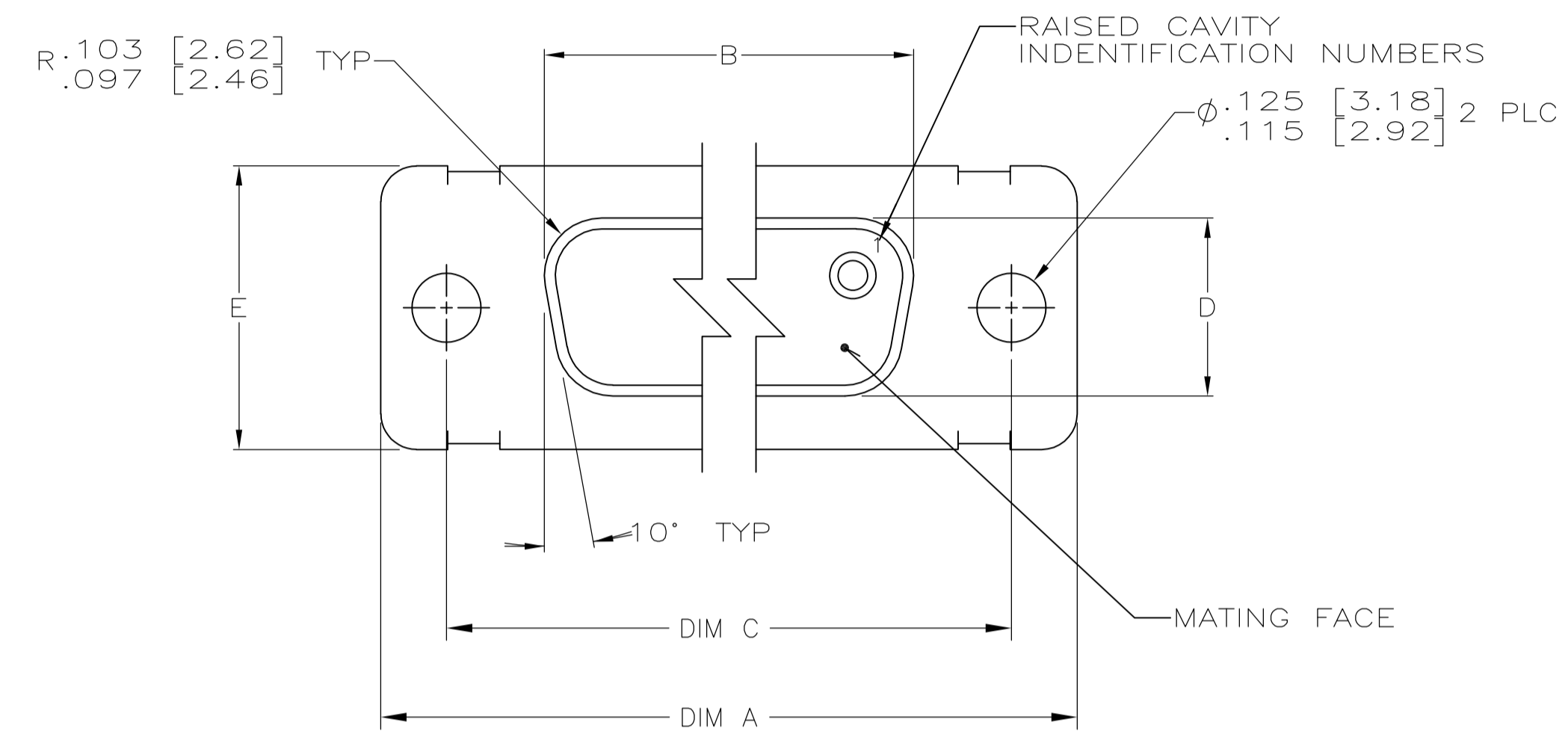
| | | | |
|-----|-----------|---------|-------------|
| REV | BY | DATE | DESCRIPTION |
| 1 | AJ GRAFF | 2-11-93 | |
| 2 | FK KINSEY | 2-17-93 | |
| 3 | FK KINSEY | 2-17-93 | |

NAME: AMPLIMITE NONMAGNETIC RECEPTACLE ASSY WITH SIZE 20 CRIMP TYPE SOCKET CONTACTS SERIES 109, SHELL SIZES 1 THRU 5

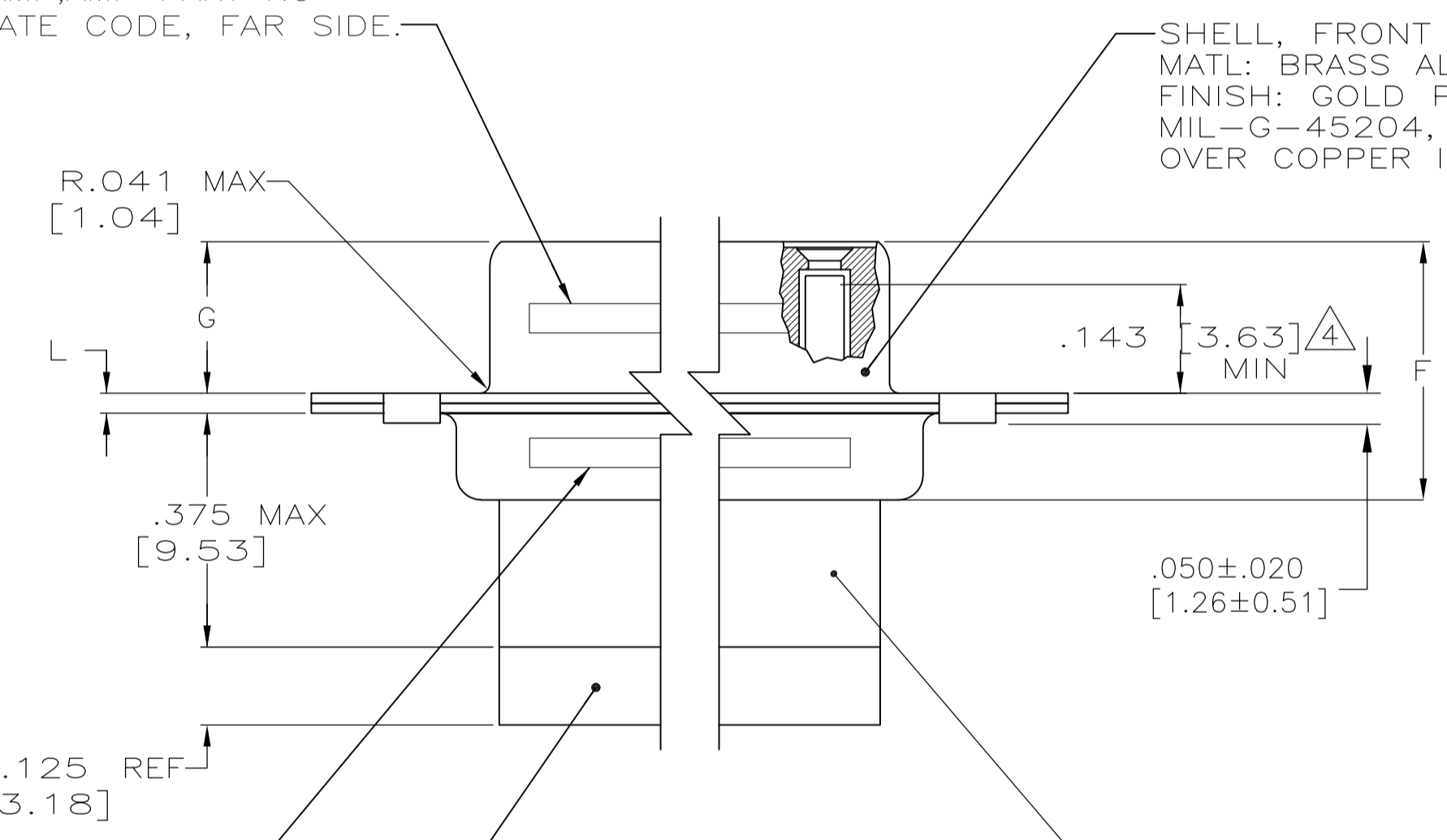
SIZE: A1 CASE CODE: 00779 DRAWING NO: 448816 RESTRICTED TO: CUSTOMER DRAWING

SCALE: 4:1 SHEET: 1 OF 2 REV: E

| LOC | | DIST | | REVISIONS | | | |
|-----|-----|-------------|------|-----------|------|---|---|
| P | LYR | DESCRIPTION | DATE | DNW | APVD | | |
| - | - | SEE SHEET 1 | - | - | - | - | - |



3 MARK AMP, AMP PART NO AND DATE CODE, FAR SIDE.

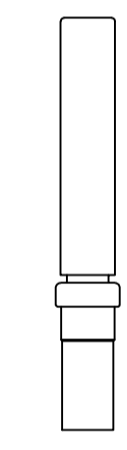


SHELL, FRONT & REAR
MATL: BRASS ALLOY PER ASTM B 36
FINISH: GOLD PLATED IN ACCORDANCE WITH MIL-G-45204, TYPE II, GRADE C, CLASS 1 OVER COPPER IN ACCORDANCE WITH MIL-C-14550.

3 MARK CUSTOMER PART NO, FAR SIDE.

GROMMET, REAR
MATL: SILICONE RUBBER PER IAW ZZ-R-765, CLASS 3a, GRADE 50 COLOR: RED 448816-1 THRU -10 AND -32 ONLY

INSERT ASSY MATERIAL PER MIL-DTL-24308



CONTACT
AMP P/N 206793-1 (AWG 20-24)
OR 206795-1 (AWG 26-28)

| | | | | | |
|--|--|---|--|---|--|
| THIS DRAWING IS A CONTROLLED DOCUMENT. | | DIN AJ GRAFF 2-11-93 | | TE Connectivity | |
| | | CHK F. KINSEY 2-17-93 | | | |
| DIMENSIONS: INCHES | | TOLERANCES UNLESS OTHERWISE SPECIFIED: | | NAME | |
| | | 0 PLC ± - 1 PLC ± - 2 PLC ± - 3 PLC ± - 4 PLC ± - ANGLES ± - | | PRODUCT SPEC AMPLIMITE NONMAGNETIC RECEPTACLE ASSY WITH SIZE 20 CRIMP TYPE APPLICATION SPEC MIL-C-24308 SOCKET CONTACTS, SERIES 109, | |
| MATERIAL SEE CALLOUTS | | FINISH SEE CALLOUTS | | RESTRICTED TO | |
| | | WEIGHT | | SIZE A1 | |
| | | CUSTOMER DRAWING | | CAGE CODE 00779 DRAWING NO. 448816 SCALE 4:1 SHEET 2 OF 2 REV E | |

单击下面可查看定价，库存，交付和生命周期等信息

[>>TE Connectivity\(泰科\)](#)