

4

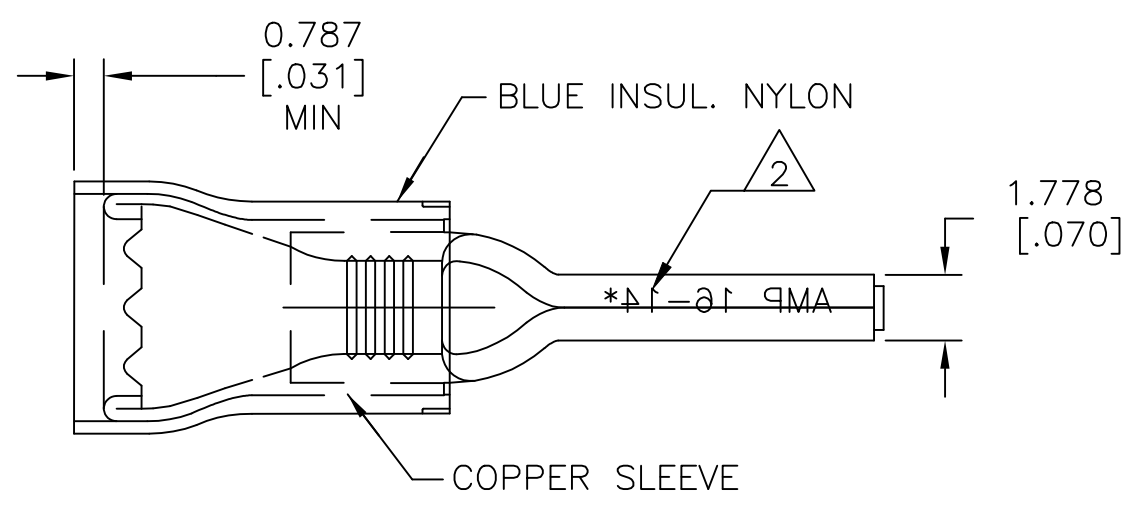
3

2

1

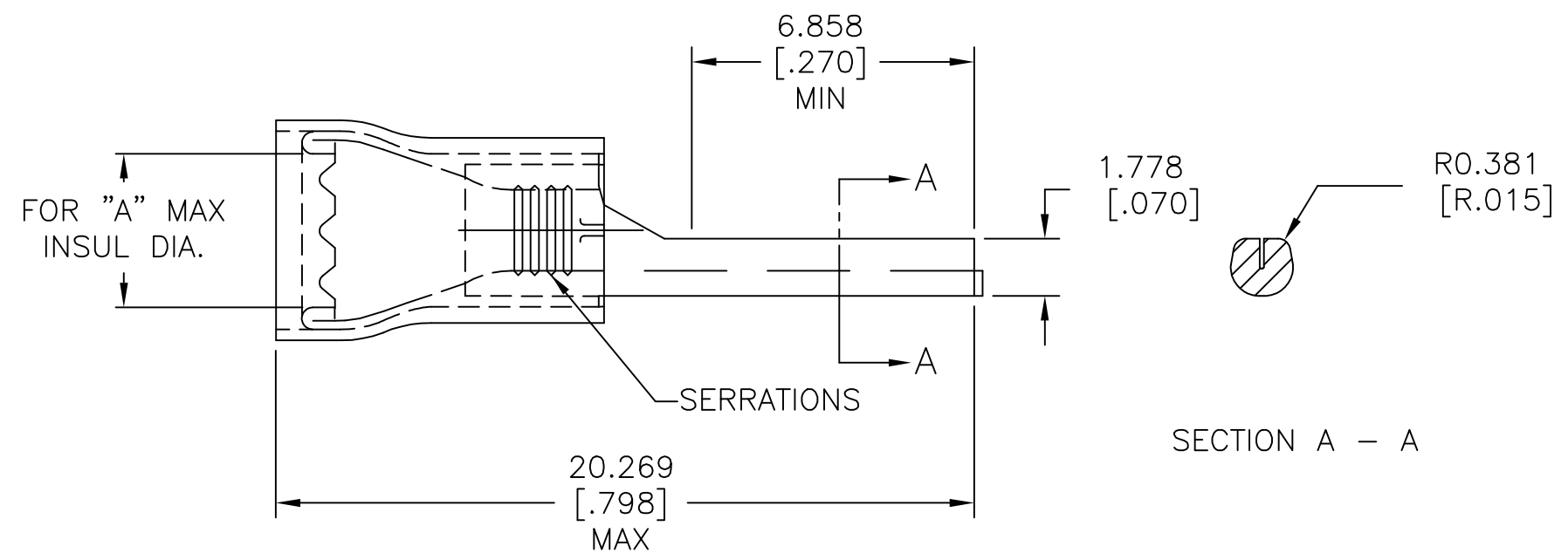
THIS DRAWING IS UNPUBLISHED. RELEASED FOR PUBLICATION
 © COPYRIGHT - By - ALL RIGHTS RESERVED.

REVISIONS					
P	LTR	DESCRIPTION	DATE	DWN	APVD
G1		REVISED PER ECO-14-003208	14MAR2014	NK	DR
G2		REVISED PER ECO-17-008114	05JUN2018	RS	DR



AMP WIRE RANGE	RA FILE E13288
1.0-2.6mm ² (16-14 AWG) STRANDED	16-14 AWG STRANDED

- 1 WIRE INSULATION DIA "A" MAX, SEE TABLE
- △ 2 STAMP AMP 16-14* APPROX AS SHOWN
- 3 MAX OPERATING TEMPERATURE 105°C [221°F]



1000	4.394 [.173]	TIN PLATED	COPPER	165046
PACKAGE QTY	DIM "A"	FINISH	MATERIAL	PART NO

THIS DRAWING IS A CONTROLLED DOCUMENT.		DWN JR RUTH 01JUN07	STE TE Connectivity Ltd.		
DIMENSIONS: mm [INCHES]		CHK T MICHIELUTTI 01JUN07			
TOLERANCES UNLESS OTHERWISE SPECIFIED:		APVD T MICHIELUTTI 01JUN07	NAME PIDG WIRE PIN 16-14 AWG		
0 PLC ± -		PRODUCT SPEC UL 486 A-B	SIZE A3		
1 PLC ± -		APPLICATION SPEC 114-2157	CAGE CODE 00779	DRAWING NO C=165046	RESTRICTED TO -
2 PLC ± -		MATERIAL SEE TABLE	SCALE 5:1		
3 PLC ± 0.127 [.005]		FINISH SEE TABLE	SHEET 1 of 1		
4 PLC ± -		WEIGHT -	REV G2		
ANGLES ± -		CUSTOMER DRAWING			

单击下面可查看定价，库存，交付和生命周期等信息

[>>TE Connectivity\(泰科\)](#)