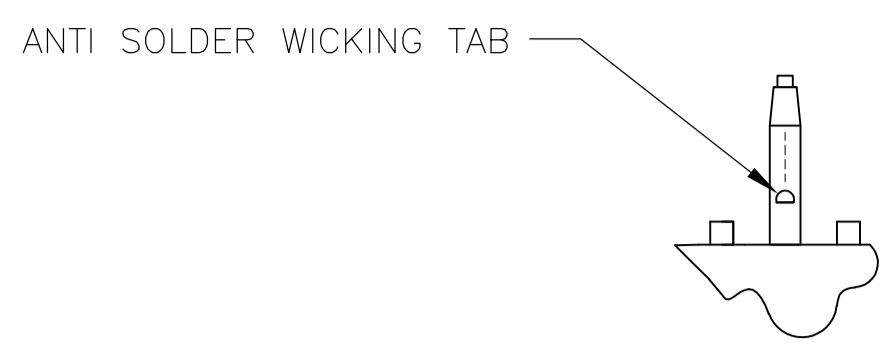
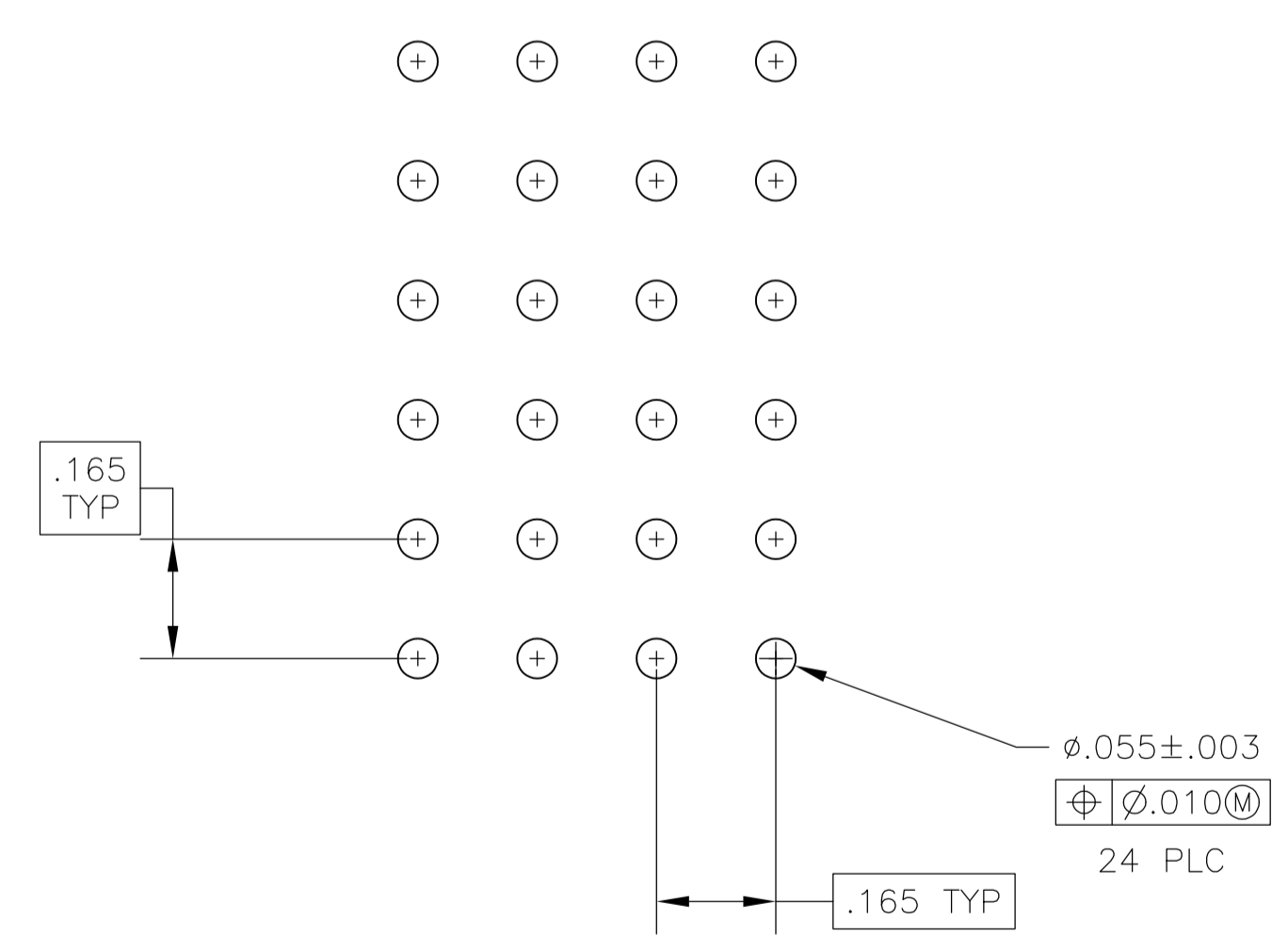
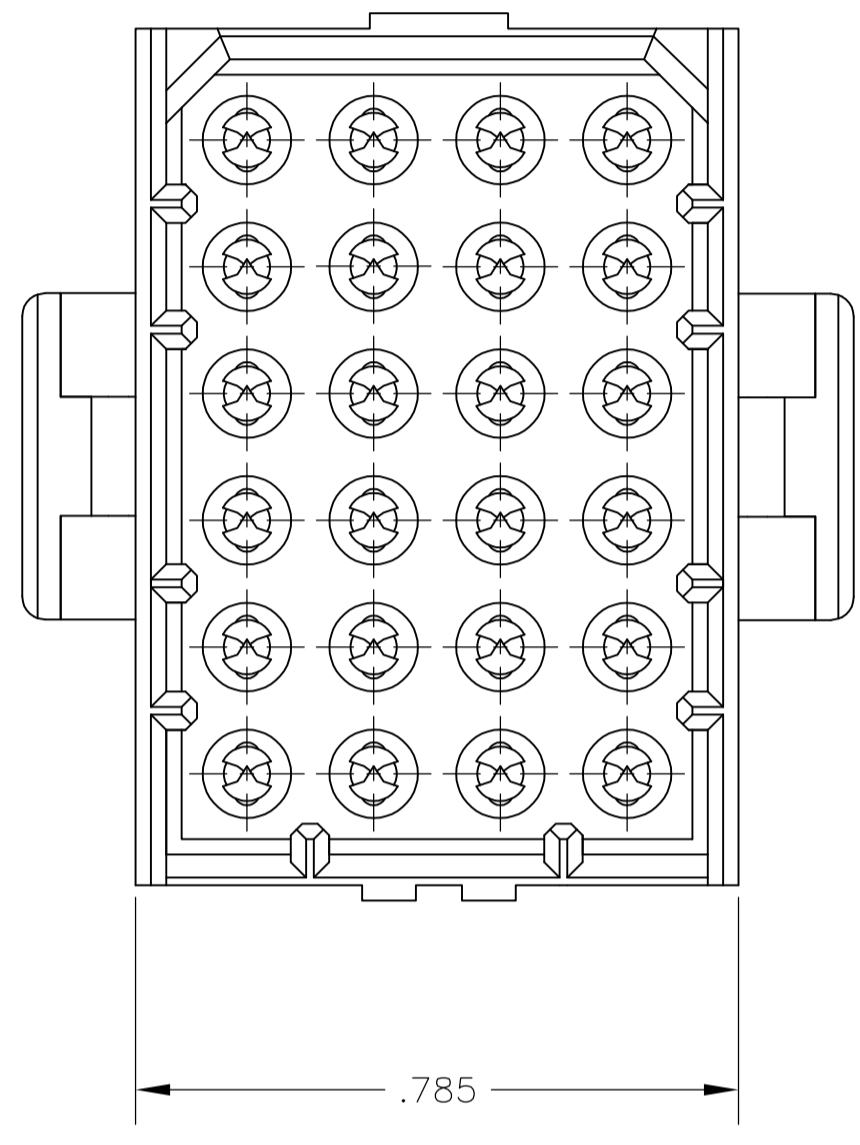
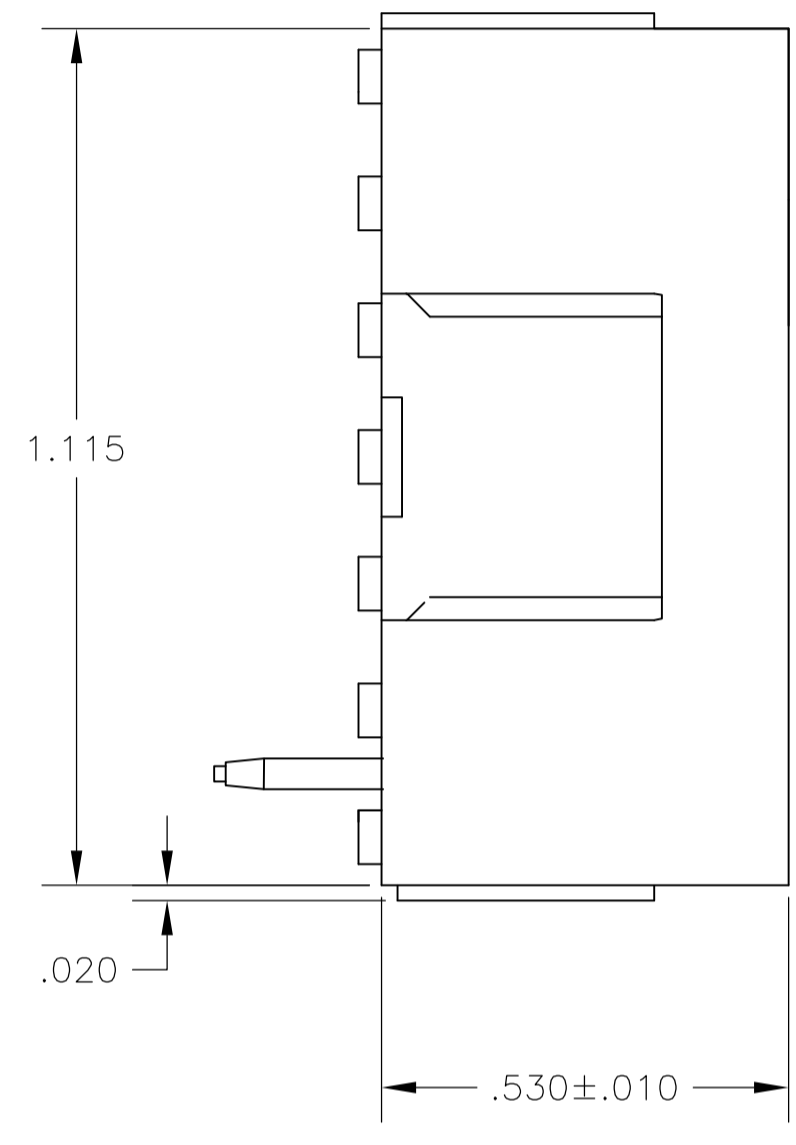
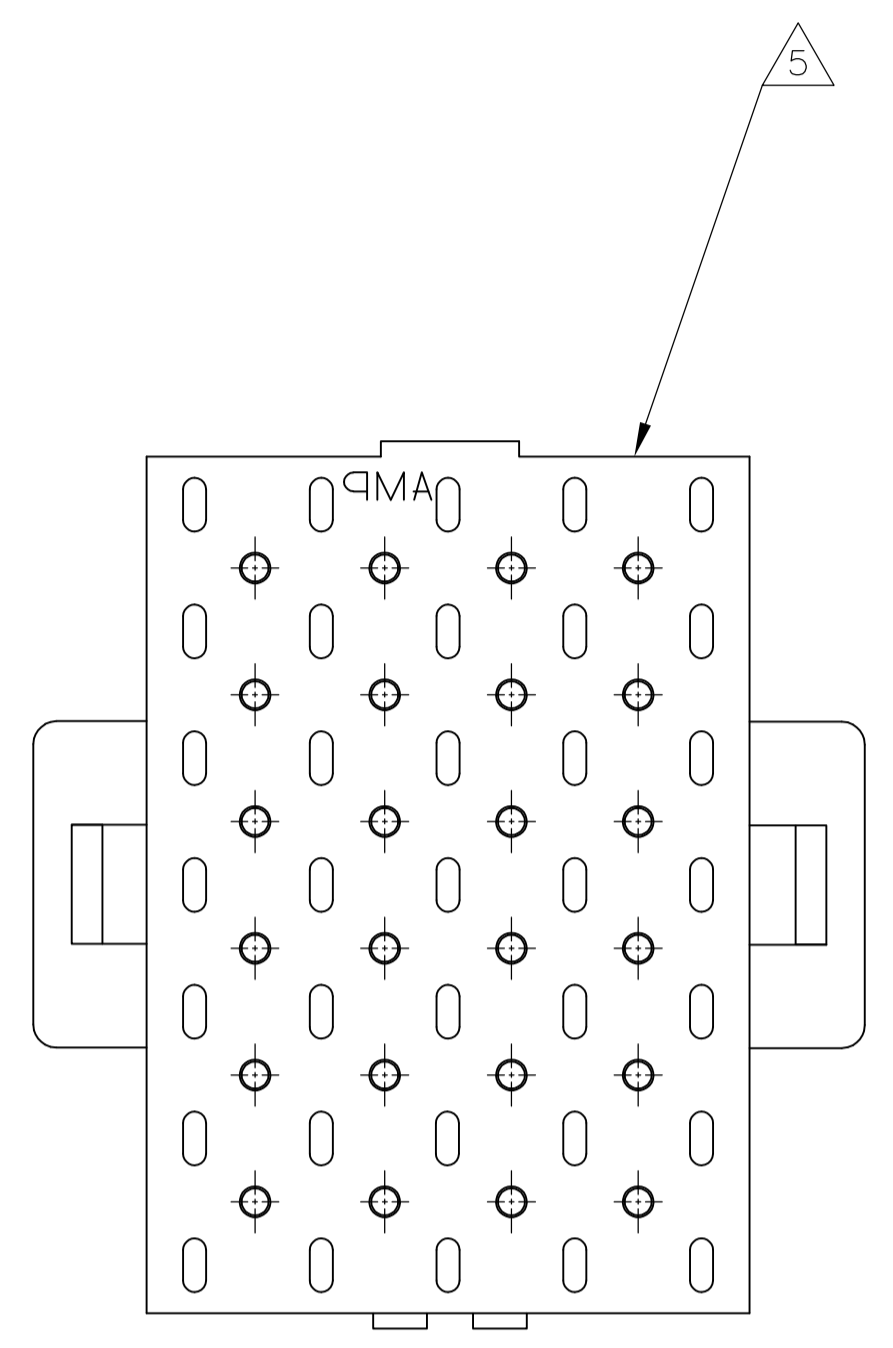


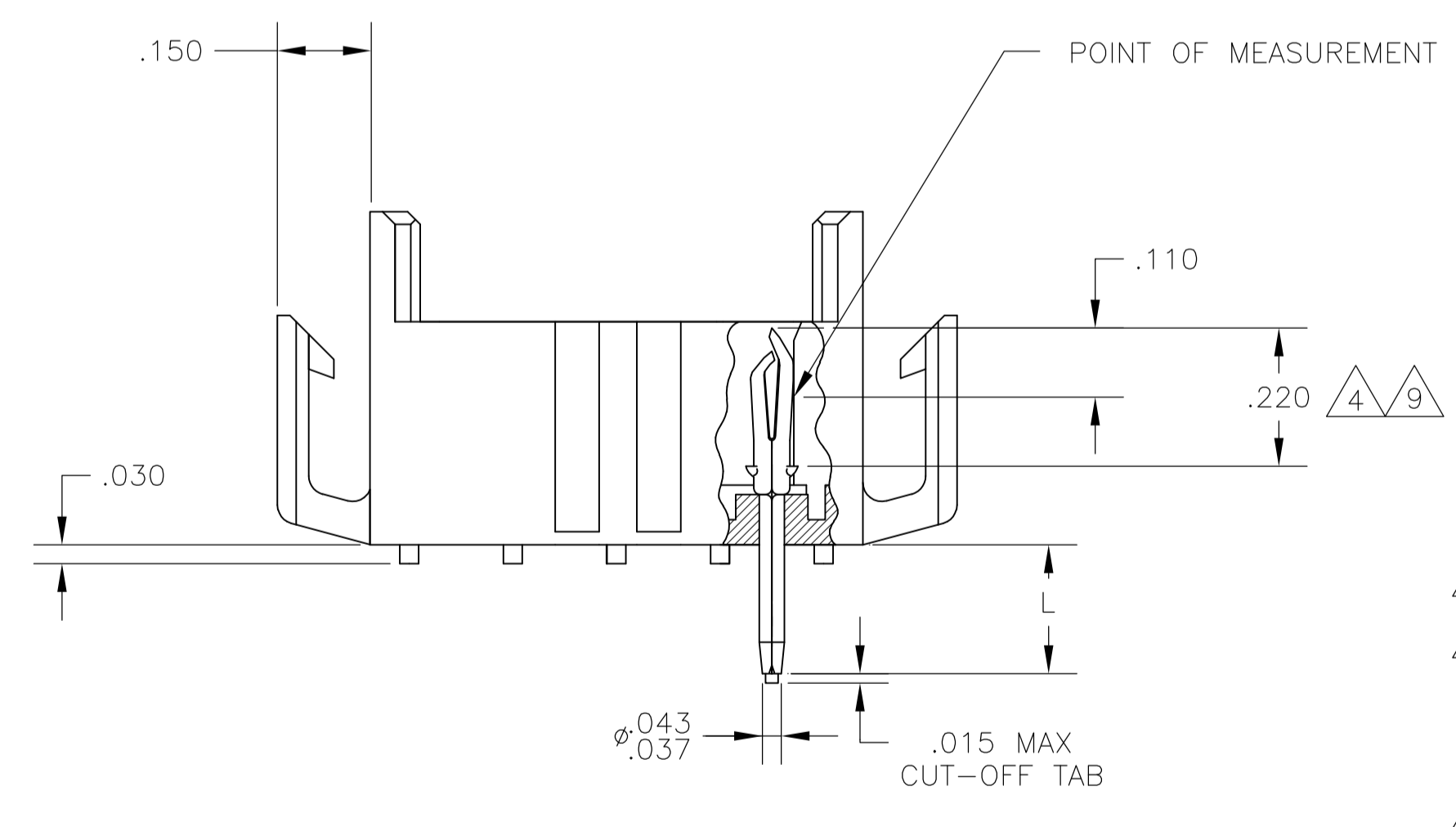
REVISIONS					
P	LTR	DESCRIPTION	DATE	DMN	APVD
U		REVISED PER ECO-16-004940	03AUG2016	NK	MZ



- 1 FITS SOCKET HOUSING 640525.
- 2 ASSEMBLY CONFORMS TO AMP SOLDERABILITY SPEC. 109-11-3.
- 3 FOR USE WITH .063 THICK P.C. BOARD.
- 4 CONTACT IS PLATED OVERALL WITH .000050 NICKEL, THEN .000030 GLD OVER CONTACT LENGTH INDICATED AND .000150 MATTE TIN-LEAD ON SOLDER TAIL END.
- 5 UL AND CSA LOGO LOCATED ON THIS SURFACE.
- 6 FOR USE WITH .120 THICK P.C. BOARD.
- 7 FOR USE WITH .093 THICK P.C. BOARD.
- 8 TRAY PACKAGED VERSION OF 640505-1. PACKAGED 54 PCS. PER TRAY AND 7 TRAYS PER BOX.
- 9 CONTACT IS PLATED OVERALL WITH .000050 NICKEL, THEN .000030 GLD OVER CONTACT LENGTH INDICATED AND .000150 MATTE TIN ON SOLDER TAIL END.
- 10 OBSOLETE PARTS: OBSOLETE CIS STREAMLINING PER D.RENAUD/D.SINISI
- 11 PARTITION PACKED AND BOXED, 270PCS PER CARTON.



RECOMMENDED P.C. BOARD LAYOUT



REV	DESCRIPTION	PLC	HOUSING COLOR	PIN FINISH	PART NUMBER
11	OBSOLETE	.210	BRICK RED	GOLD	1-640505-4
10	OBSOLETE	.180	BRICK RED	GOLD	2-640505-6
		.210	BRICK RED	GOLD	2-640505-4
		.150	BRICK RED	GOLD	2-640505-2
8	OBSOLETE	.150	BRICK RED	PRE-TIN	1-640505-0
10	OBSOLETE	.180	BRICK RED	GOLD	640505-6
		.210	BRICK RED	GOLD	640505-4
		.210	BRICK RED	PRE-TIN	640505-3
		.150	BRICK RED	GOLD	640505-2
		.150	BRICK RED	PRE-TIN	640505-1
		"L" +.010 -.020	HOUSING COLOR	PIN FINISH	PART NUMBER

IN	MM	IN	MM	IN	MM	IN	MM
.010	0.25	.055	1.40	.210	5.33	-	-
.008	0.20	.043	1.09	.180	4.57	-	-
.005	0.13	.037	0.94	.165	4.19	1.115	28.32
.003	0.08	.030	0.76	.150	3.81	.785	19.94
.000050	0.00127	.020	0.51	.110	2.79	.530	13.46
.000030	0.00076	.015	0.38	.063	1.60	.220	5.59

CONVERSION TABLE

THIS DRAWING IS A CONTROLLED DOCUMENT.

DIMENSIONS: INCHES	TOLERANCES UNLESS OTHERWISE SPECIFIED:	0 PLC ± -	1 PLC ± -	2 PLC ± -	3 PLC ± .005	4 PLC ± -	ANGLES ± 0° 30'
MATERIAL: SEE TABLE	FINISH: SEE FINISH	APPROVED: T. REDDICK		NAME: J. HUFFMAN		DATE: 28APR98	
CUSTOMER DRAWING		SCALE: 4:1		SHEET: 1 OF 1		REV: U	

STE TE Connectivity
 HEADER ASSEMBLY, PIN, 24 POSITION, MR.

单击下面可查看定价，库存，交付和生命周期等信息

[>>TE Connectivity\(泰科\)](#)