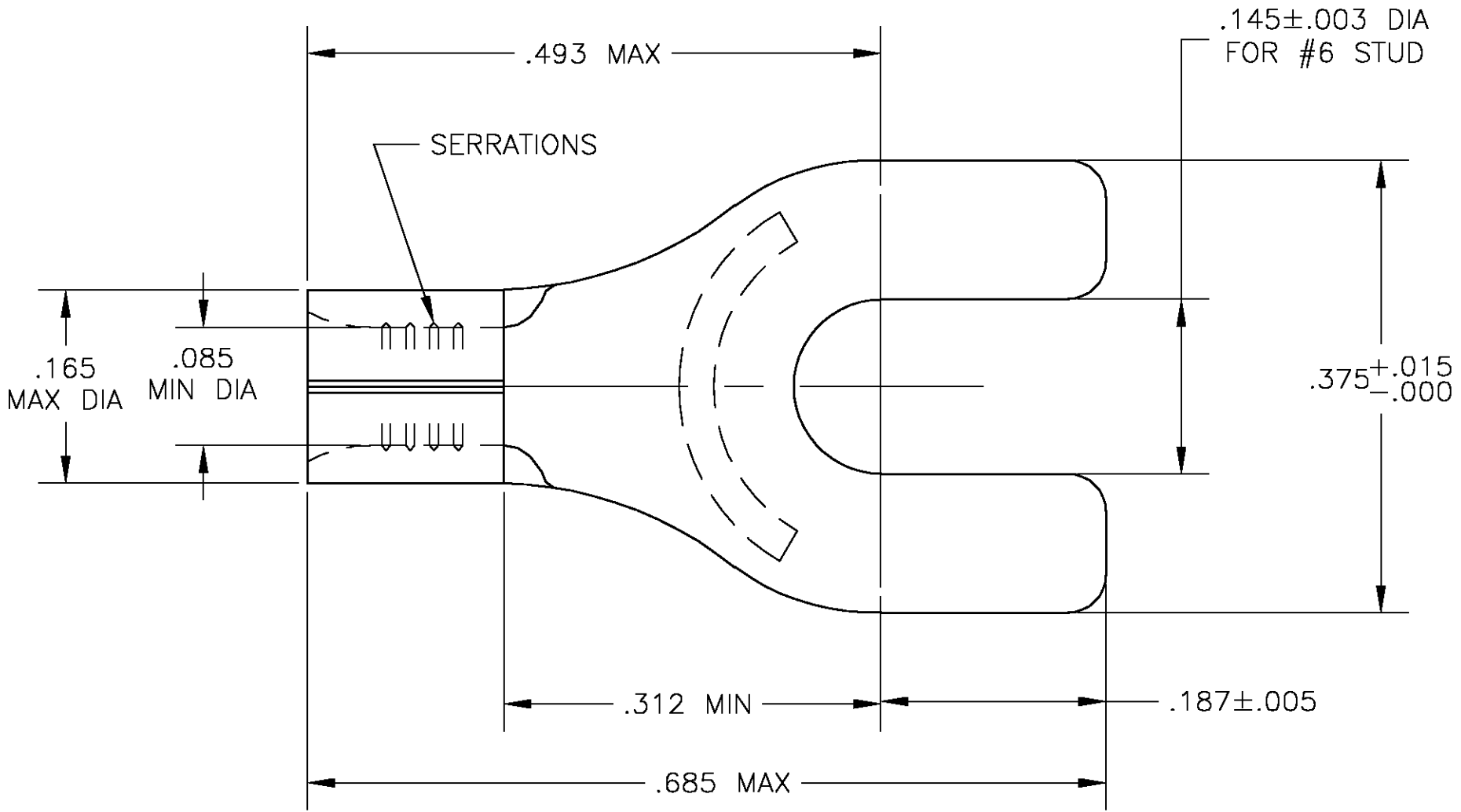


THIS DRAWING IS UNPUBLISHED. RELEASED FOR PUBLICATION
 © COPYRIGHT BY TYCO ELECTRONICS CORPORATION. ALL RIGHTS RESERVED.

LOC	DIST	REVISIONS			
P	LTR	DESCRIPTION	DATE	DWN	APVD
G	14				
		D	REDRAWN PER 0G3A-0601-03	30SEPT03	JR MS

- 1 FOREIGN PRODUCTION ONLY
- 2 TIN PLATE PER ASTM B545, ANNEALED.
- 3 TONGUE THK IS .031±.002



34127-0
 PART NO

THIS DRAWING IS A CONTROLLED DOCUMENT.		DWN	jr_ruth	30SEPT03	Tyco Electronics Corporation Harrisburg, PA 17105	
DIMENSIONS: INCHES		CHK	MJ SPICER	30SEPT03		
		TOLERANCES UNLESS OTHERWISE SPECIFIED:		APVD	NAME	
		0 PLC ± -		MJ SPICER	TERMINAL	
		1 PLC ± -		PRODUCT SPEC	SOLISTRAND, SPADE	
		2 PLC ± -		APPLICATION SPEC	WIRE SIZE: 16-14	
		3 PLC ± .008		WEIGHT	SIZE	CAGE CODE
		4 PLC ± -		—	A3	00779
		ANGLES ± 5'		—	DRAWING NO	
MATERIAL		FINISH		—		RESTRICTED TO
COPPER ASTM B152		—		C-34127		—
		—		CUSTOMER DRAWING		SCALE
		—				8:1
		—				SHEET
		—				1 OF 1
		—				REV
		—				D

单击下面可查看定价，库存，交付和生命周期等信息

[>>TE Connectivity\(泰科\)](#)