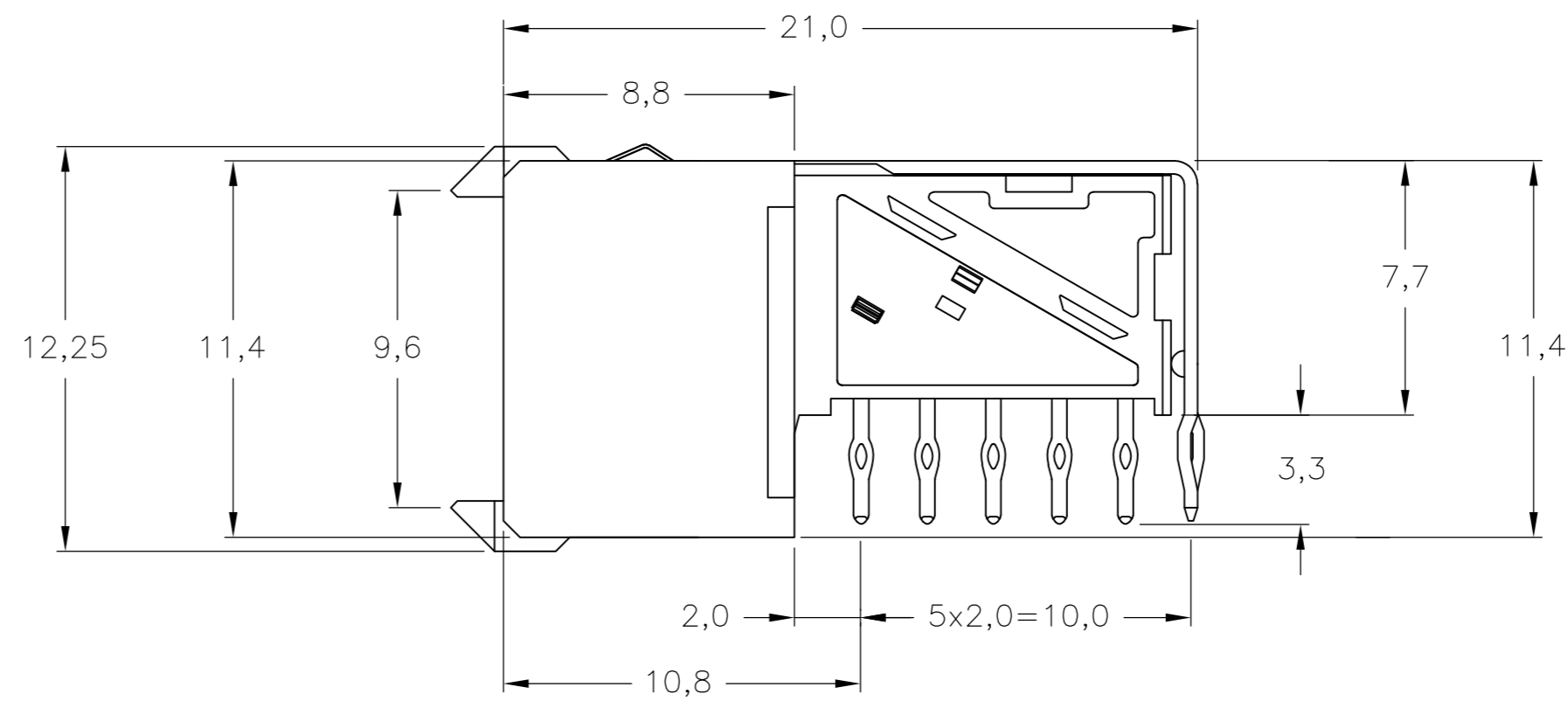
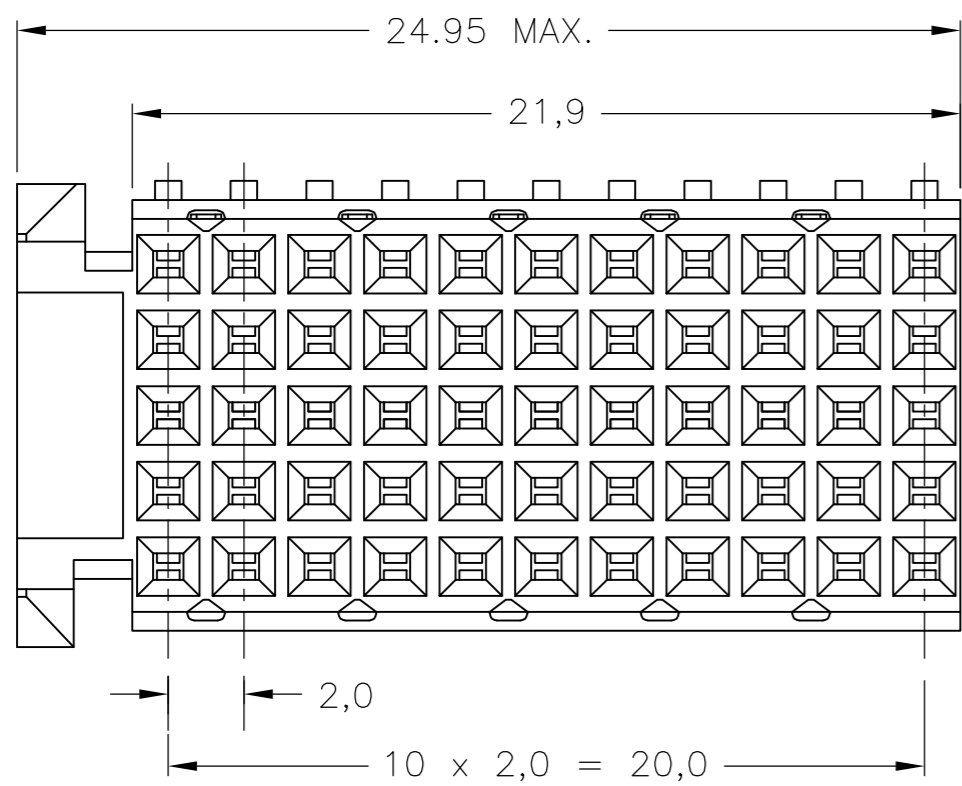
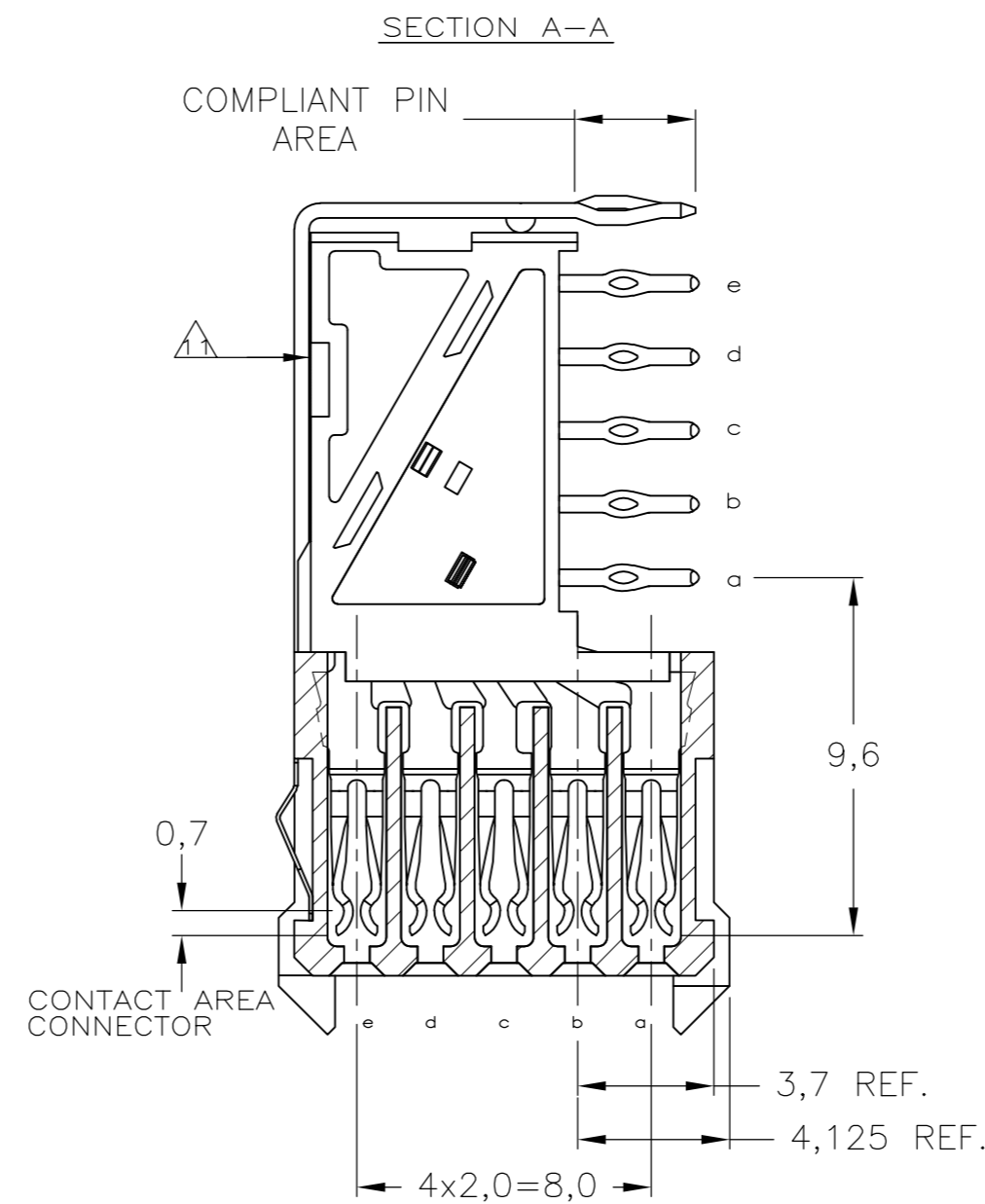
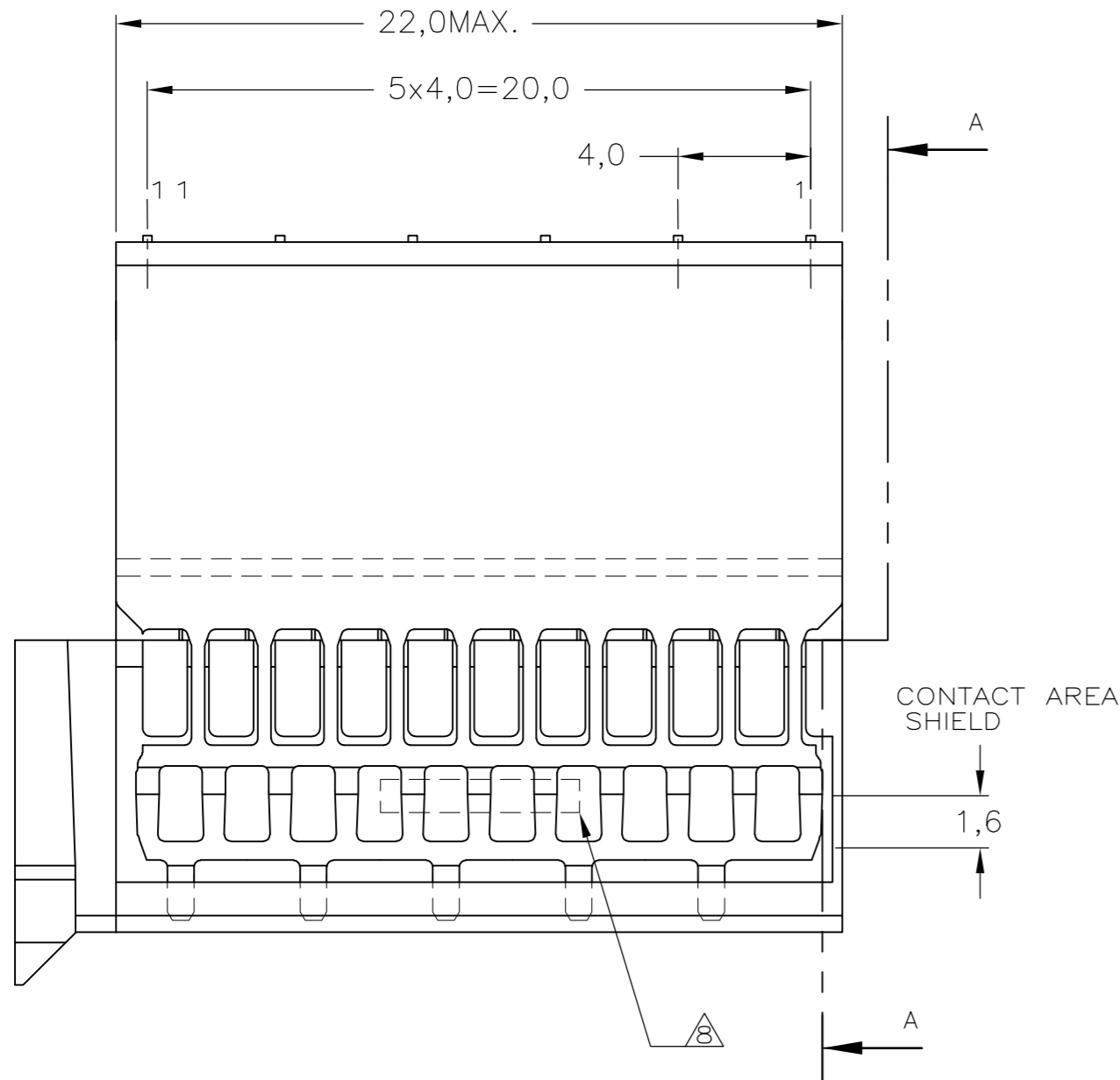


THIS DRAWING IS UNPUBLISHED. RELEASED FOR PUBLICATION  
 © COPYRIGHT BY TYCO ELECTRONICS CORPORATION. ALL RIGHTS RESERVED.

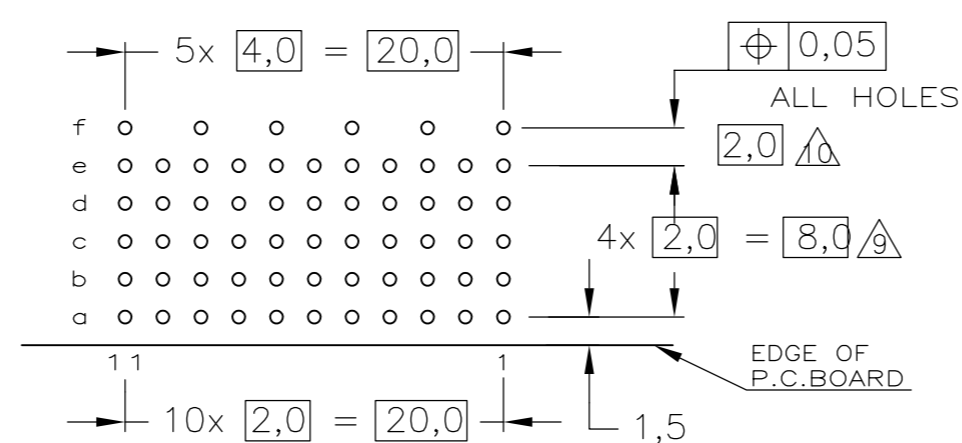
LOC	DIST	REVISIONS					
		P	LTR	DESCRIPTION	DATE	DWN	APVD
H	-	A1		ECR-07-024984	19OCT2007	JvH	JB
		B		ECR-10-018652	10SEP10	SW	MQW
		C		ECO-11-024491	13DEC11	SY	MQW

NOTES:

- ⚠ MATERIAL CONTACTS; PHOSPHORBRONZE  
MATERIAL SHIELD ; PHOSPHORBRONZE  
MATERIAL HOUSING; GLASSFILLED POLYESTER (GRAY)
- ⚠ GENERAL PLATING SPECIFICATION: UNDERPLATING (ENTIRE CONTACT):  
1,27µm NICKEL MIN. AND COMPLIANT PIN SECTION: 0,5µm TIN MIN.  
FOR PLATING OF MATING SURFACES SEE APPLICABLE  
SPECIFICATION REFERENCE FOR EACH DASH NUMBER.
- ⚠ CONFORMS TO ALL TESTING ACCORDING IEC 61076-4-101 PERFORMANCE LEVEL 2.
- ⚠ CONFORMS TO ALL TESTING ACCORDING IEC 61076-4-101 PERFORMANCE LEVEL 1.
- ⚠ CONNECTOR TESTED AND QUALIFIED AGAINST TELCORDIA GR-1217-CORE  
QUALITY LEVEL III, CENTRAL OFFICE APPLICATIONS.
- ⚠ CONNECTOR LUBRICATED WITH TELCORDIA GR-1217-CORE APPROVED LUBRICANT.
- ⚠ PLATING SHIELD:  
CONTACT AREA: 0,76µm Au MIN.  
COMPLIANT PIN SECTION: 0,5µm Sn MIN.  
REMAINDER : Ni
- ⚠ ASSEMBLY PRINTED WITH P/N AND DATECODE  
THE MARKING CAN APPEAR ON THE FRONT SIDE OR BACK SIDE.
- ⚠ HOLE PATTERN FOR FEMALE CONNECTOR TYPE C  
55 PLATED-THROUGH HOLES AT 2x2mm SQUARE GRID
- ⚠ ROW "f" 6 PLATED THROUGH HOLES FOR UPSHIELD
- ⚠ SHIELD MOUNTED ON CONNECTOR WITH DOUBLE SIDED  
ADHESIVE TAPE OR ADHESIVE.
- 12 FITS WITH LOWERSHIELD, BASIC PARTNUMBER : 5352112.



COMPONENT SIDE AS SHOWN  
 RECOMMENDED PCB-HOLE LAY-OUT SCALE 2,5:1



P.C.B. HOLE DIM. COMPLIANT PIN  
 FOR DETAILS SEE  
 APPLICATION SPECIFICATION

FINISH		MATERIAL		PARTNUMBER	
⚠ 5 ⚠ 6 ⚠		⚠		1857996-9	
⚠ 4 ⚠		⚠		1857996-4	
⚠ 3 ⚠		⚠		1857996-1	
THIS DRAWING IS A CONTROLLED DOCUMENT.		DWN J.van Hoek 23AUG2007		Tyco Electronics Corporation	
DIMENSIONS: mm		CHK B.Mooij 23AUG2007		's-Hertogenbosch, 5222AR-32	
TOLERANCES UNLESS OTHERWISE SPECIFIED: ±0.2		APVD J.Broeksteeg 23AUG2007		NAME	
6 PLG ±		PRODUCT SPEC		Z-PACK 2mm HM	
1 PLG ±		APPLICATION SPEC		TYPE C - 11 COLUMNS	
2 PLG ±		108-19082		PRE-SHIELDED RECEPTACLE	
3 PLG ±		114-19029		SIZE CAGE CODE DRAWING NO	
4 PLG ±		WEIGHT -		A2 00779 C=1857996	
ANGLES ±		CUSTOMER DRAWING		RESTRICTED TO	
FINISH -		SCALE 5:1		SHEET 1 OF 1 REV C	

单击下面可查看定价，库存，交付和生命周期等信息

[>>TE Connectivity\(泰科\)](#)