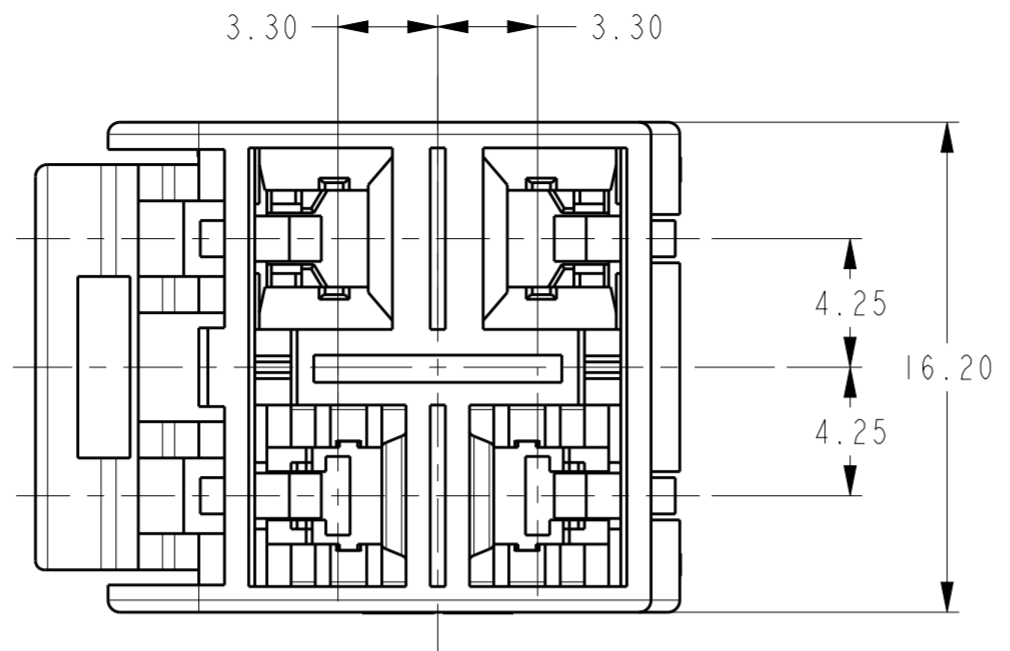


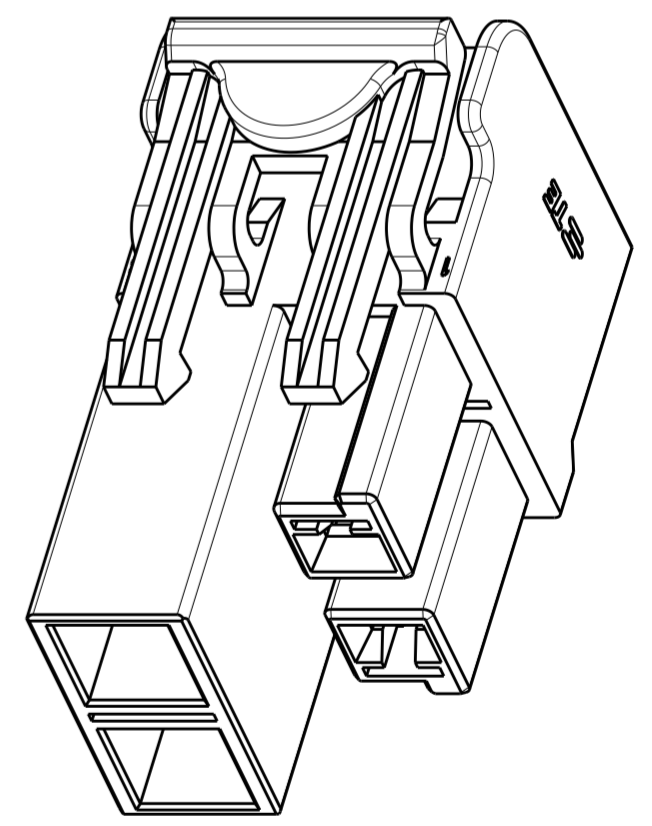
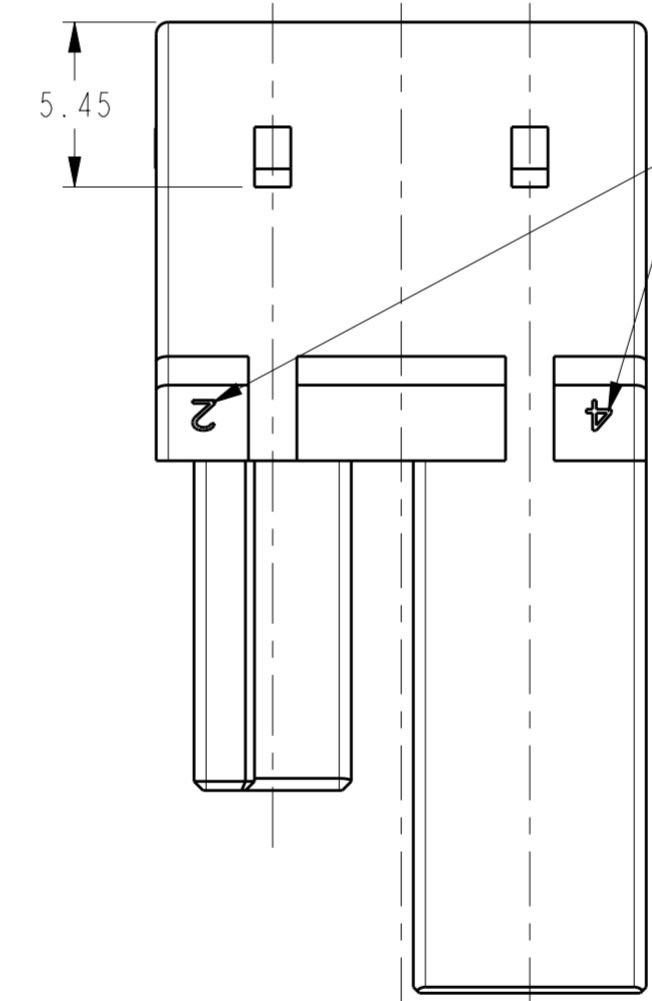
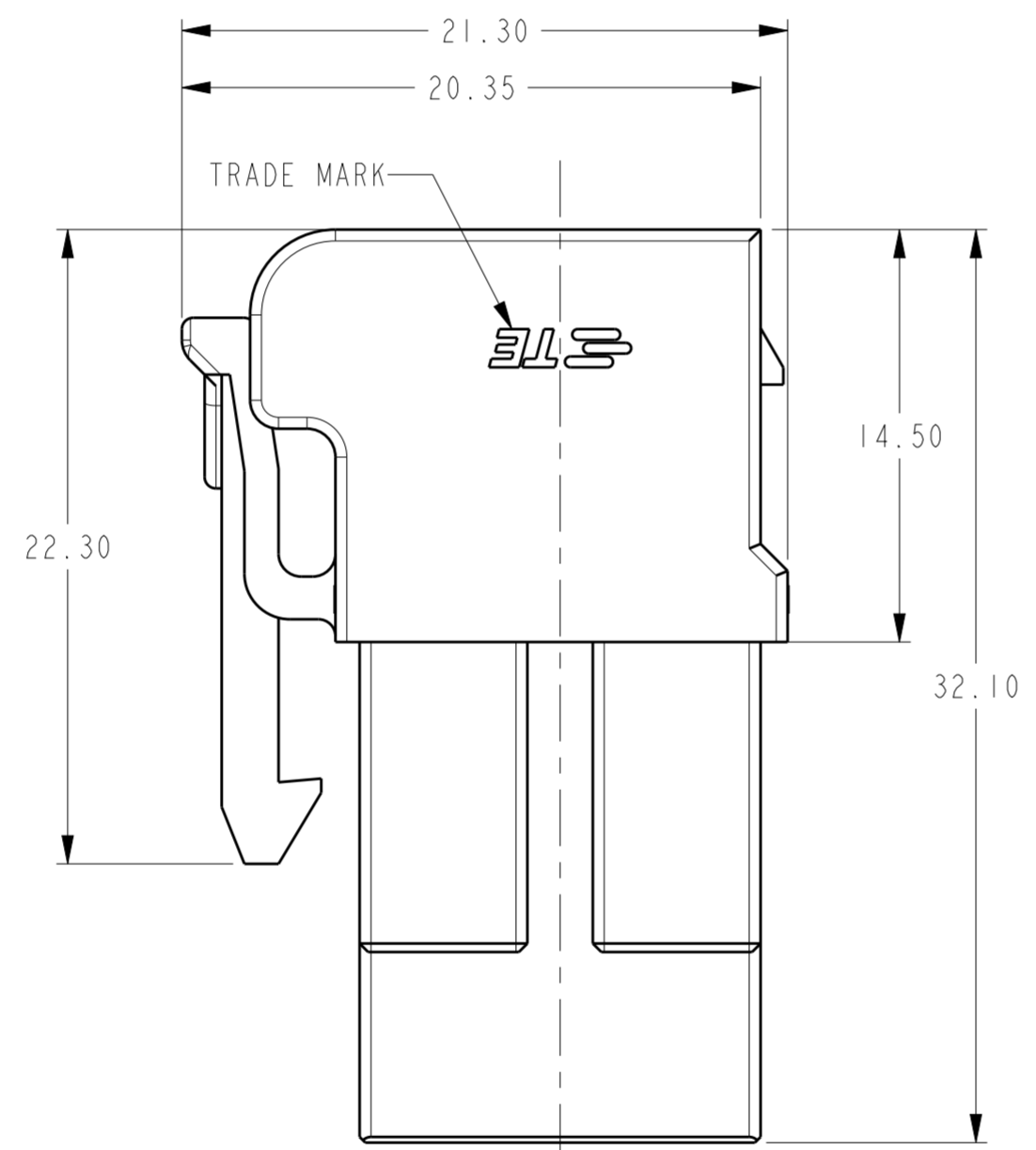
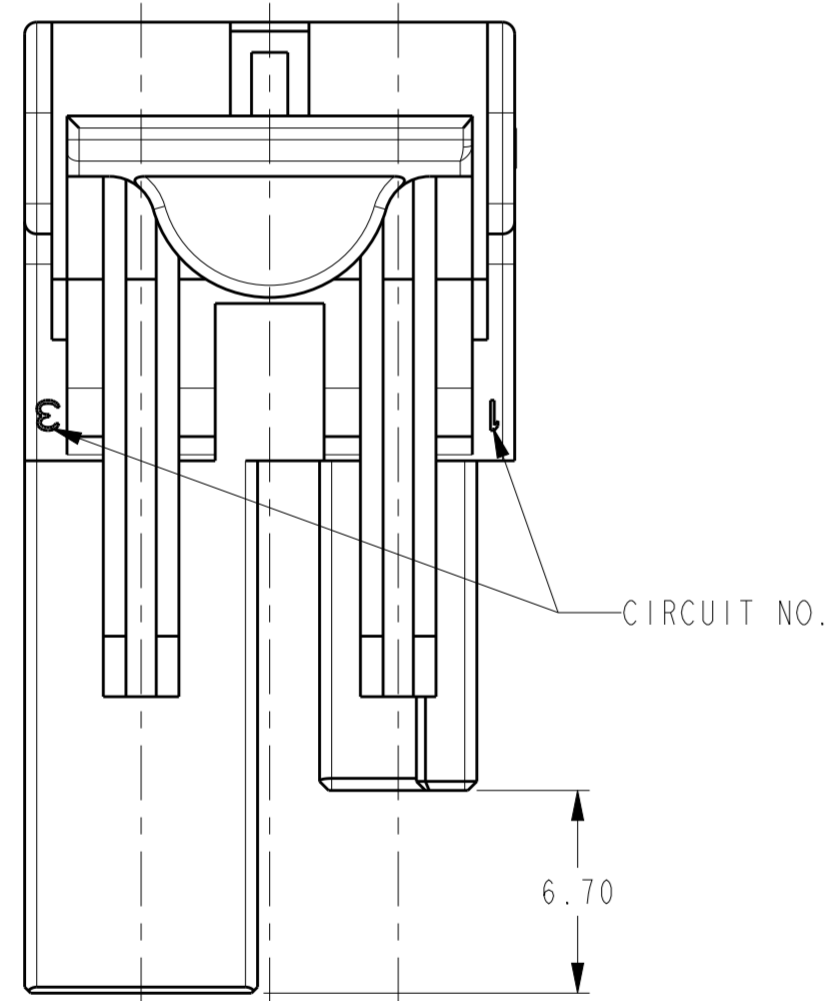
THIS DRAWING IS UNPUBLISHED. RELEASED FOR PUBLICATION 20
 © COPYRIGHT 20 BY - ALL RIGHTS RESERVED.

LOC		DIST		REVISIONS			
P	LTR	DESCRIPTION		DATE	DWN	APVD	
	A	RELEASED		19AUG2011	R.C	E.K	
	A1	ADD "GWT REQUIREMENTS" IN NOTE 6		11OCT2012	D.Z	YH.M	
	A2	REVISED PER ECR-17-012469		25AUG2017	N.L	D.Z	
	B	REVISED PER ECR-19-015245		01OCT2019	M.G	D.Z	



NOTE

- 1 MATERIAL: THERMOPLASTIC, UL94 V-0, COLOR: NATURAL
- 2 PRODUCT SPEC: 108-106071
- 3 APPLICABLE CONTACT P/N:
 TAB CONTACT: 1983661/2-1 FOR CIRCUIT NO. 3, 4
 REC CONTACT: 1983663/4-1 FOR CIRCUIT NO. 1, 2
- 4 MATING CONN. P/N:
 HSG: 1983658-1
- 5 APPLICABLE DOUBLE LOCK PLATE P/N: 1983666-1
- 6. PRODUCT COMPLY WITH GLOW WIRE REQUIREMENTS FOR PARTS OF NON-METALLIC MATERIAL SUPPORTING A CURRENT-CARRYING CONNECTION DETAILED IN IEC 60335-1, SECTION 30 (GWT).



PART NUMBER 1983659-1

THIS DRAWING IS A CONTROLLED DOCUMENT.		DWN 19AUG2011 RICHARD CHEN	STE TE Connectivity	
		CHK 19AUG2011 HAPYE WU		
DIMENSIONS: mm		APVD 19AUG2011 ERIC KONG	NAME 4P HOUSING MULTI 6P CONNECTOR	
TOLERANCES UNLESS OTHERWISE SPECIFIED:		PRODUCT SPEC 108-106071	RESTRICTED TO	
0 PLC ±		APPLICATION SPEC 114-106071	SIZE A2	CAGE CODE 00779
1 PLC ±		WEIGHT -	DRAWING NO. C-1983659	SCALE 4:1
2 PLC ±0.30			SHEET 1 OF 1	REV B
3 PLC ±				
4 PLC ±				
ANGLES ±2°				
FINISH				
NOTE 1		CUSTOMER DRAWING		

单击下面可查看定价，库存，交付和生命周期等信息

[>>TE Connectivity\(泰科\)](#)