

DO NOT SCALE  
DIMENSIONS IN mm

METRIC

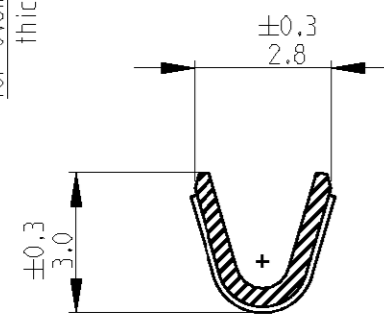
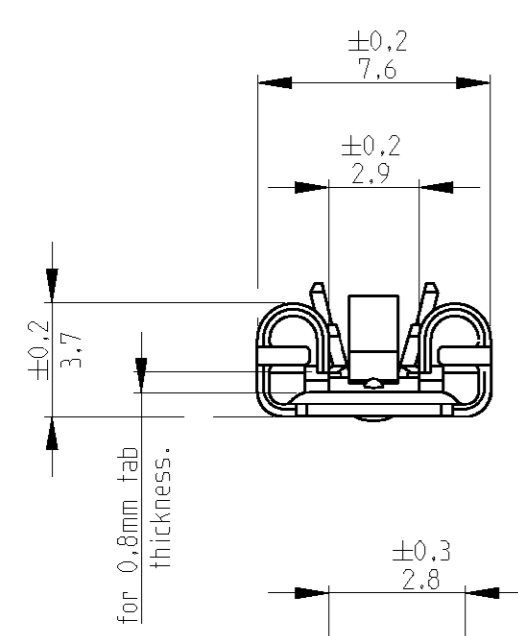
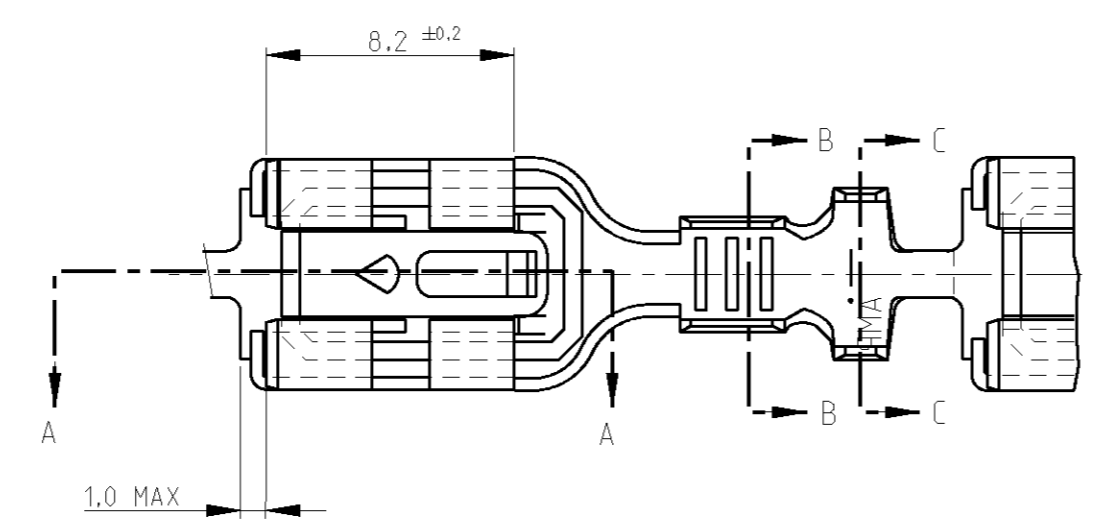
THIRD ANGLE  
PROJECTION

LTR	DESCRIPTION	DWN	APPD	DATE
K1	ECO-09-025714	KK	AEG	17DEC09

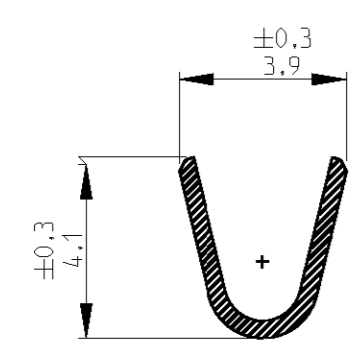
NOTES :

- FOR USE ON MINI HD APPLICATOR ( LEFT - RIGHT FEED ).
- TINPLATING THICKNESS .000080 MIN - .000400 MAX. (INCH).
- MATERIAL PH.BRONZE ACC ASTM B103 ALLOY 511.
- REAR ROLLING MUST TOUCH TAB.

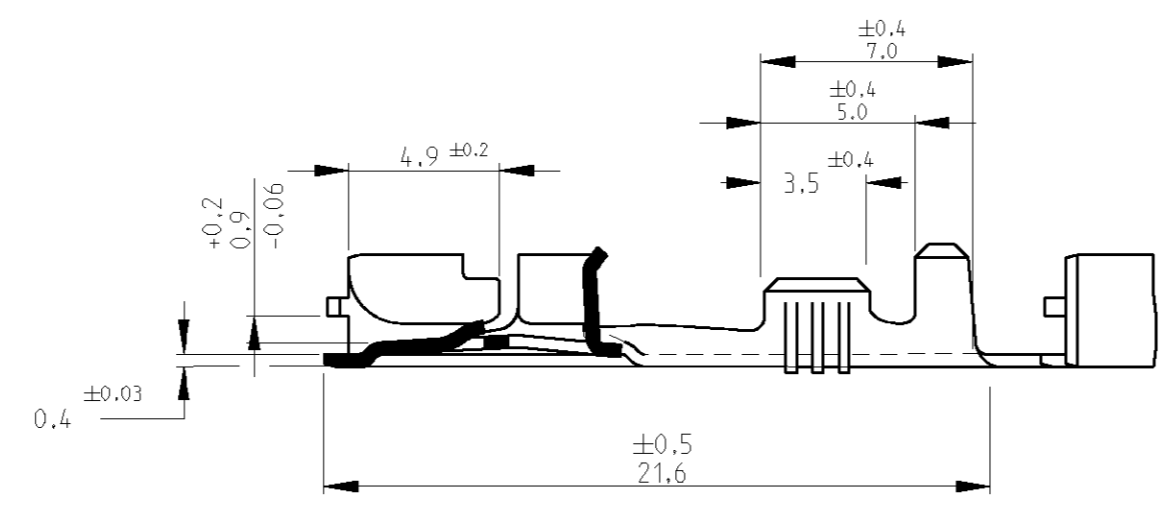
**5** OBSOLETE PARTS: OBSOLETE CIS STREAMLINING PER D.RENAUD/D.SINISI



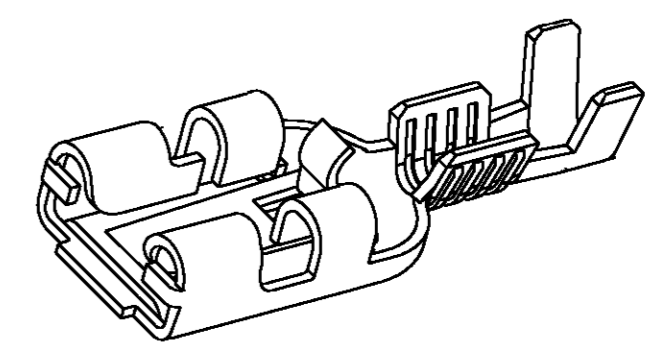
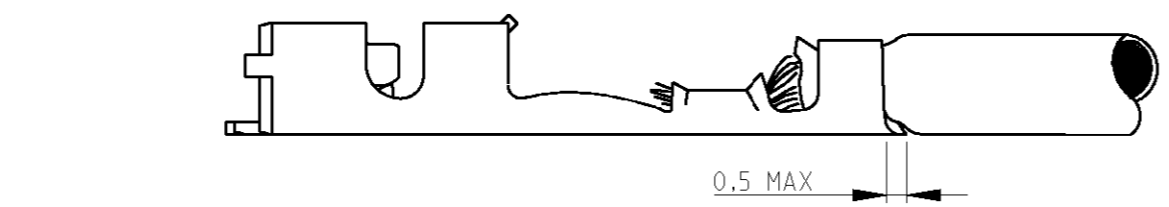
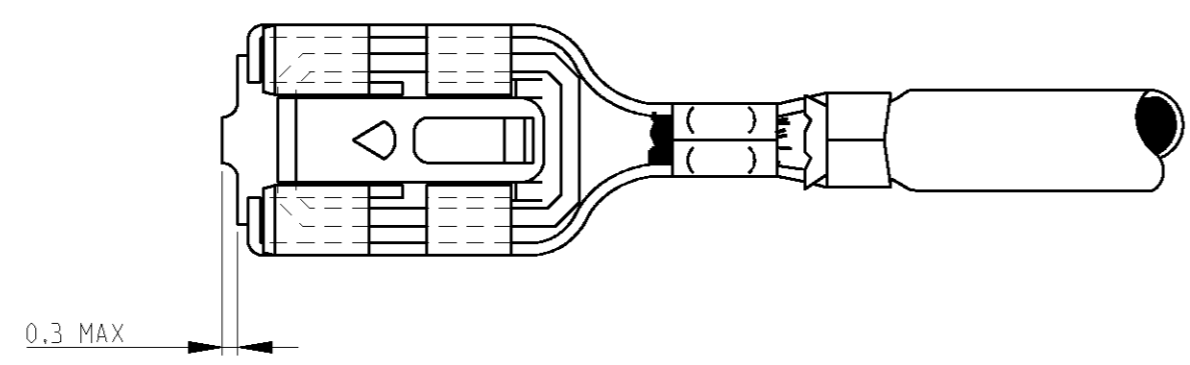
SECTION B - B



SECTION C - C



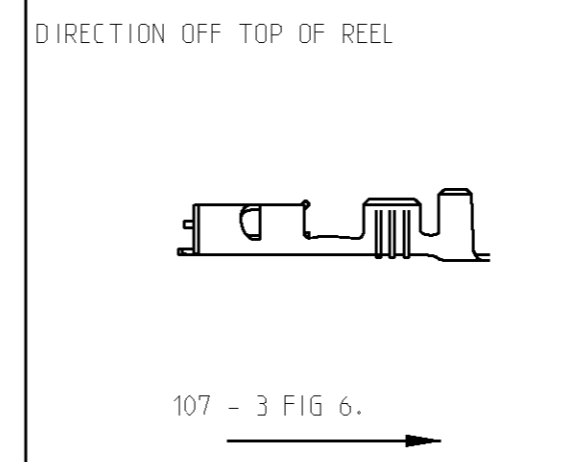
SECTION A - A



WIRE	CRIMP HEIGHT	CRIMP WIDTH
0.5mm?	1.43mm	.080 'F'
0.75mm?	1.52mm	.080 'F'
1.0mm?	1.61mm	.080 'F'

**5** OBSOLETE

100015-4	PRE-TINPLATED	PH.BRONZE	<del>216329-4</del>
100015-3	SILVERPLATED	PH.BRONZE	216329-3
100015-2	TINPLATED	PH.BRONZE	216329-2
100015-1	UNPLATED	PH.BRONZE	216329-1
LOOSE PIECE NR.	FINISH	MATERIAL	PARTNUMBER



**tyco** Electronics

TYCO ELECTRONICS AMP ESPAÑOLA S.A  
BARCELONA ESPAÑA

THIS DRAWING IS UNPUBLISHED CUSTOMER DRAWING

© COPYRIGHT 2002 - BY AMP-SPAIN  
ALL INTERNATIONAL RIGHTS RESERVED.  
AMP PRODUCTS MAY BE COVERED BY U.S. AND FOREIGN PATENTS AND/OR PATENTS PENDING.

DR.	DATE	WIRE RANGE	NAME	REV. DATE
R.v.Lokven	24.04.89	0.5-1.0mm?	.250 L.I.F AUTOMOTIVE POS LOCK REC MKII.	D M Y
CHK.	DATE	INSUL RANGE		17 12 09
R.v.Lokven	24.04.89	1.4-2.3 DIA		
APP.	DATE	SIZE	SHEET	DWG. No.
L.v.Soest	26-11-89	A2	1 OF 1	C-216329

REV.LTR: K1

单击下面可查看定价，库存，交付和生命周期等信息

[>>TE Connectivity\(泰科\)](#)