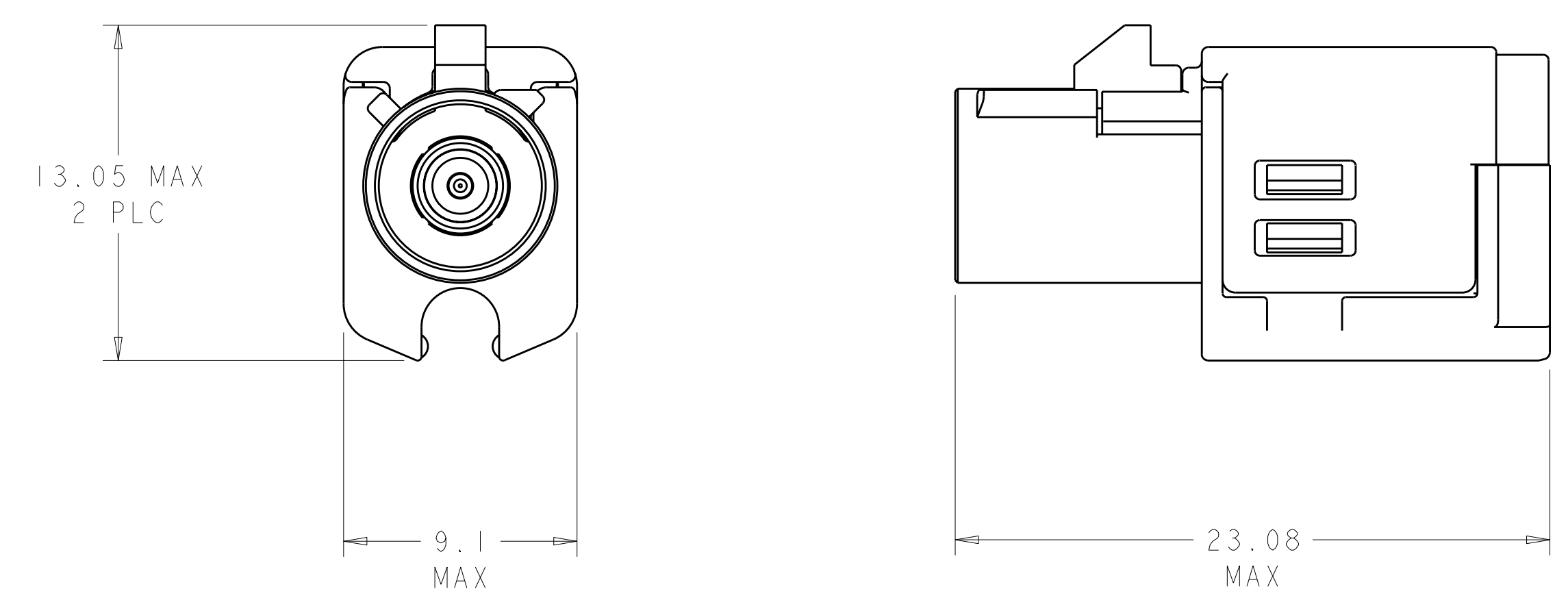
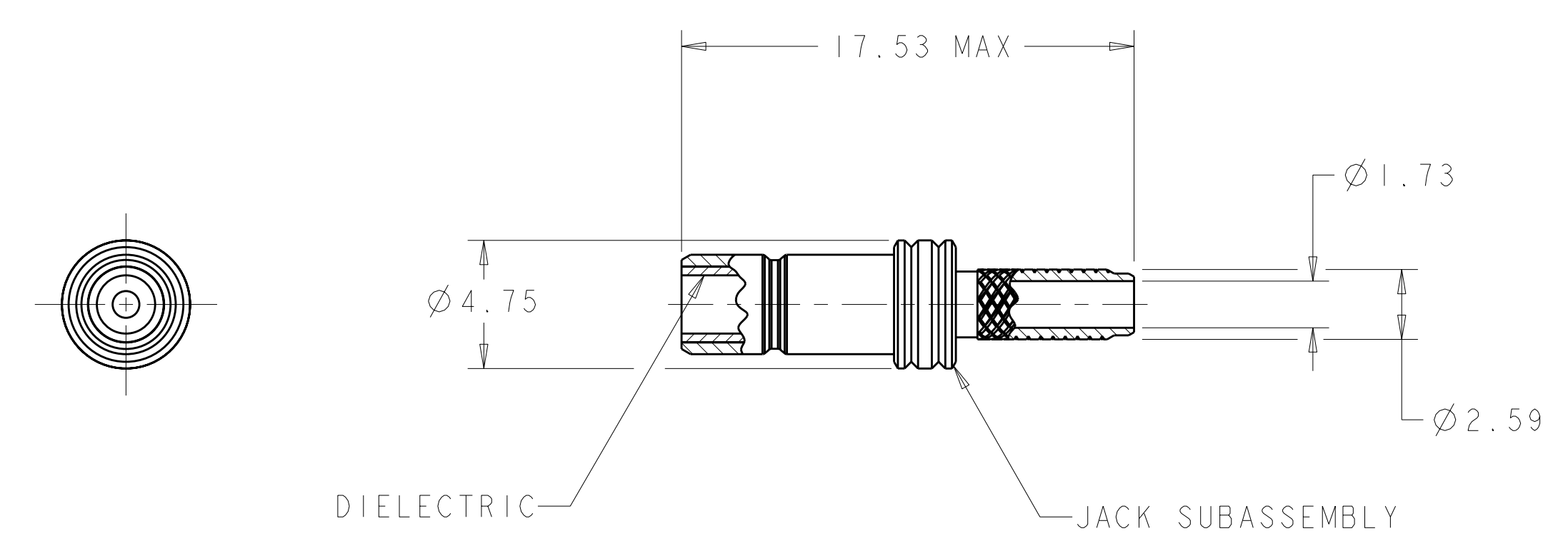
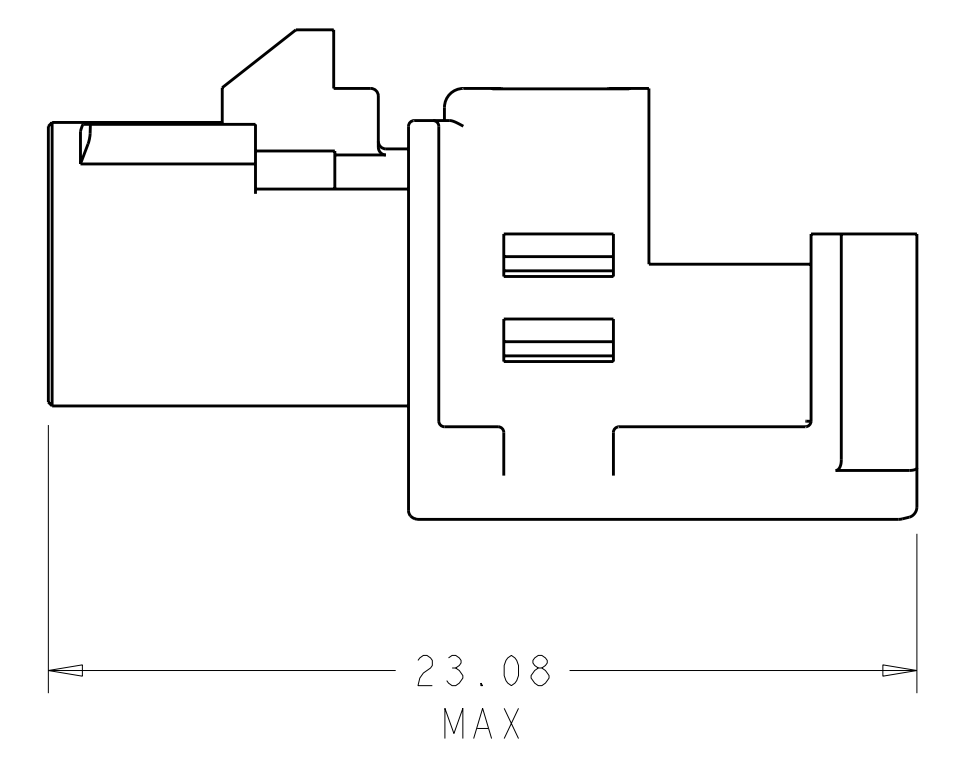
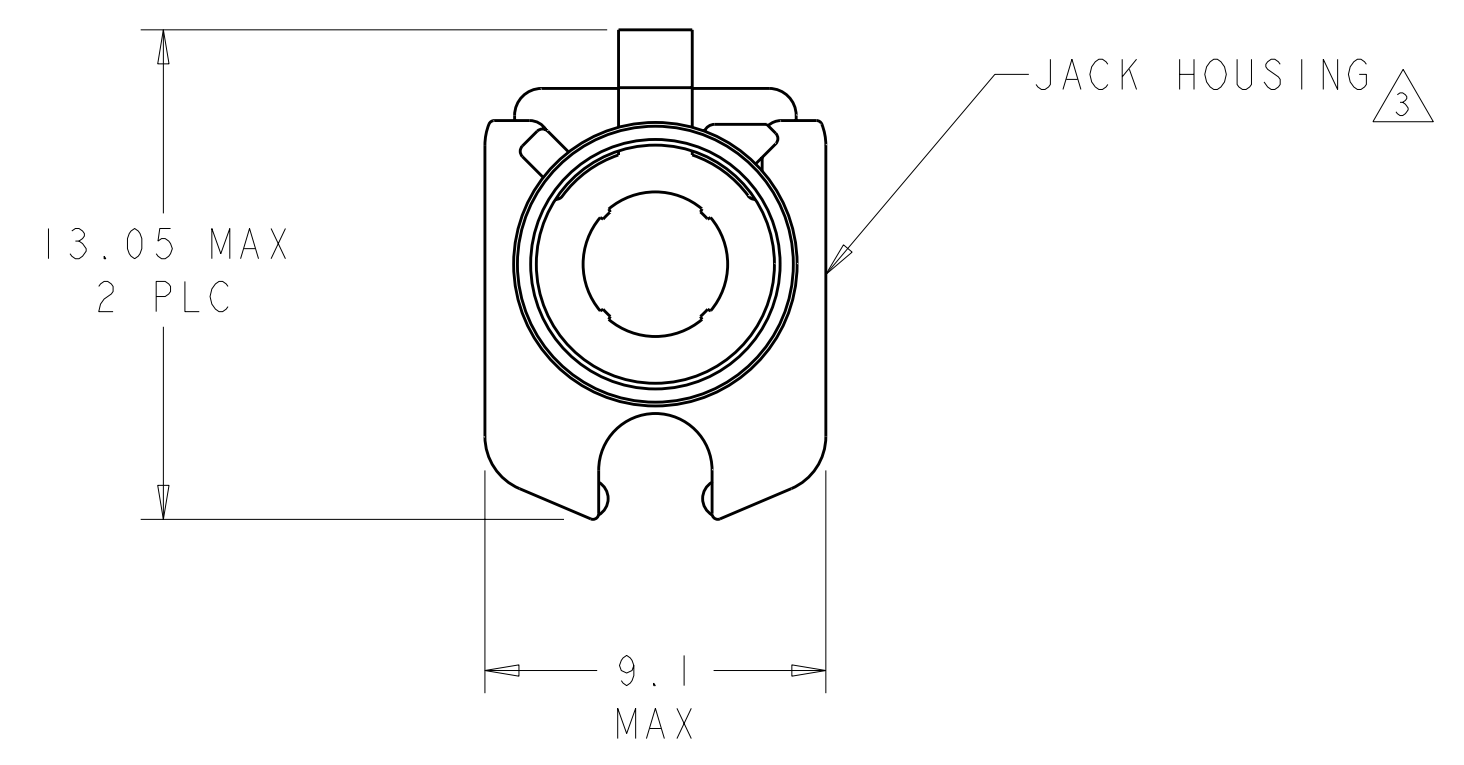
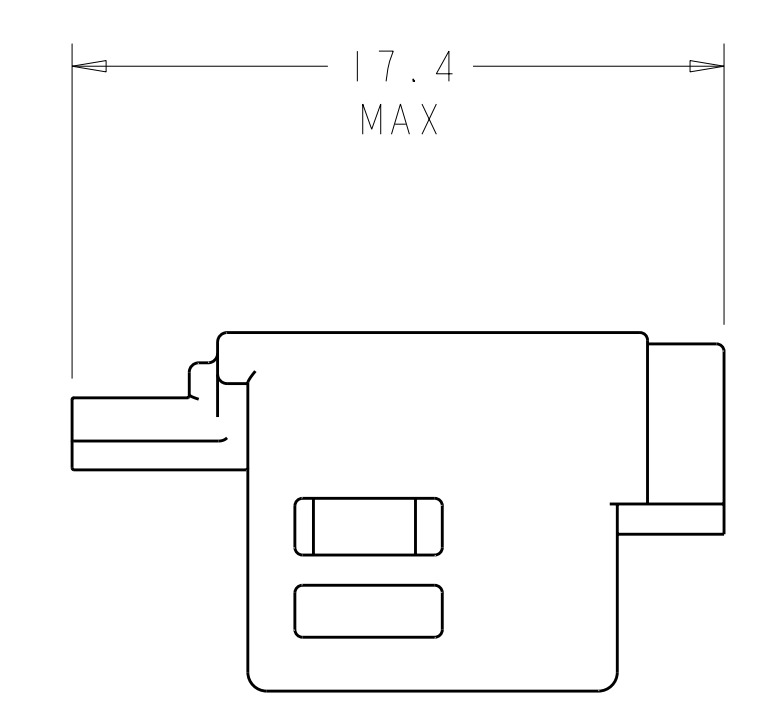
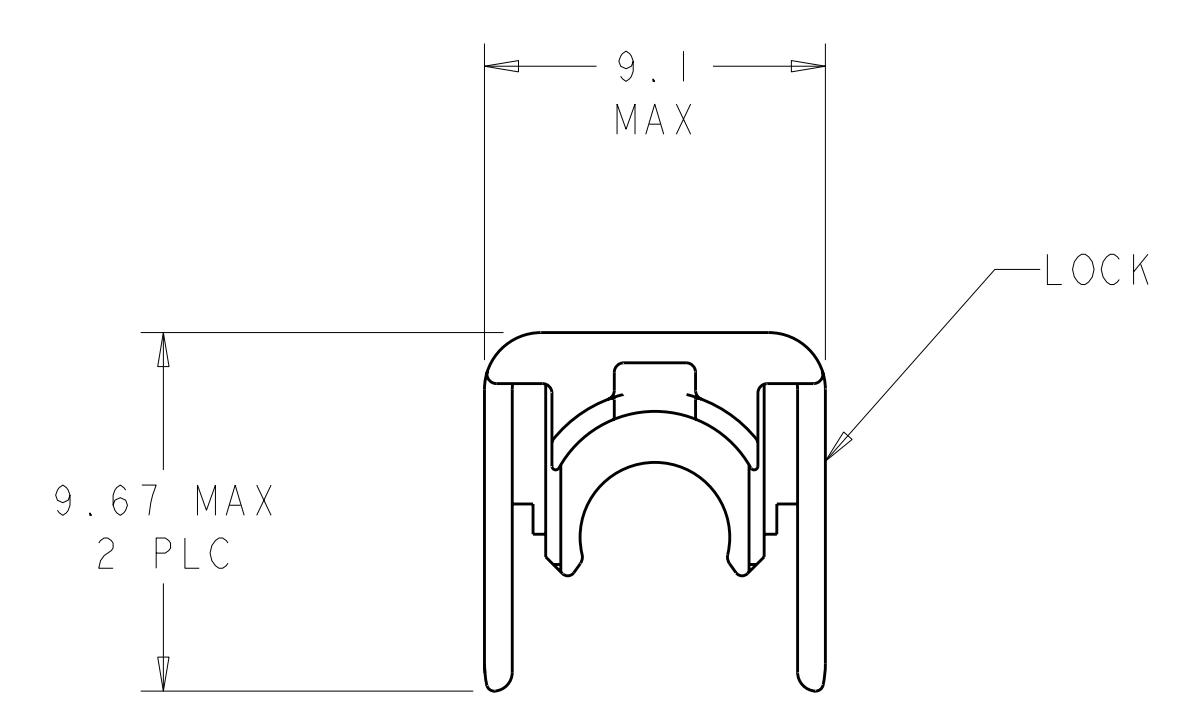


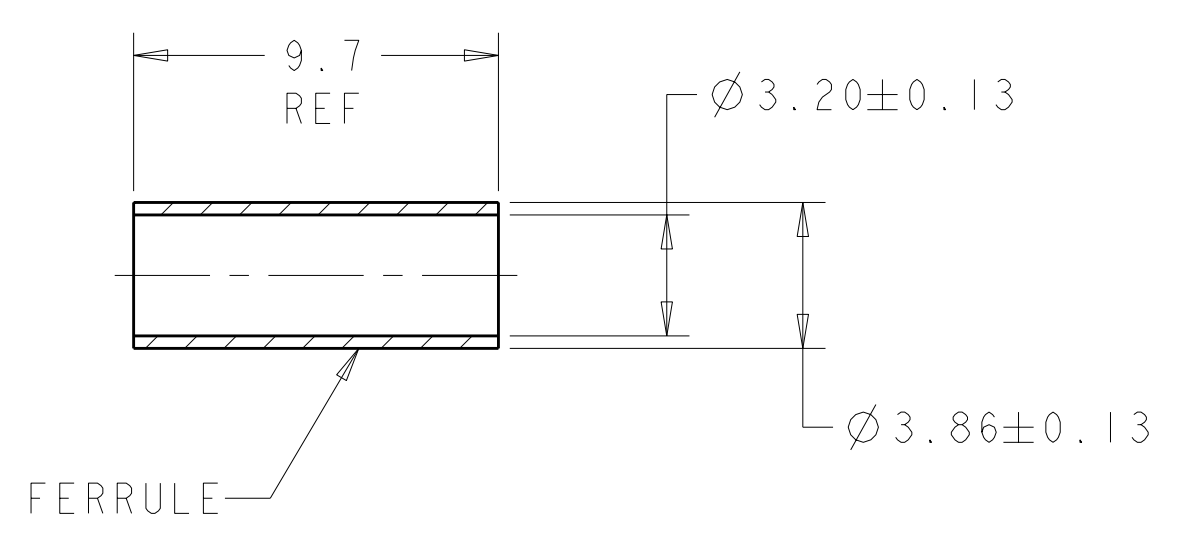
LOC	DIST	REV	DATE	BY	APPD
FX	00	G1	28 JUN 2010	DLD	LLV
		H	09 MAR 2011	DLD	LLV



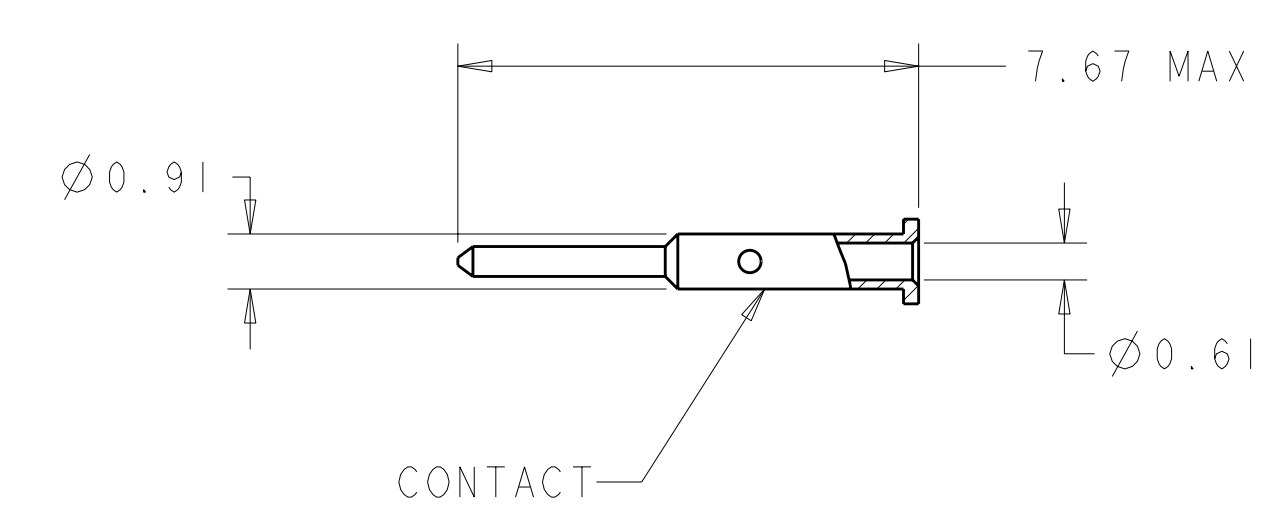
ASSEMBLED VIEWS



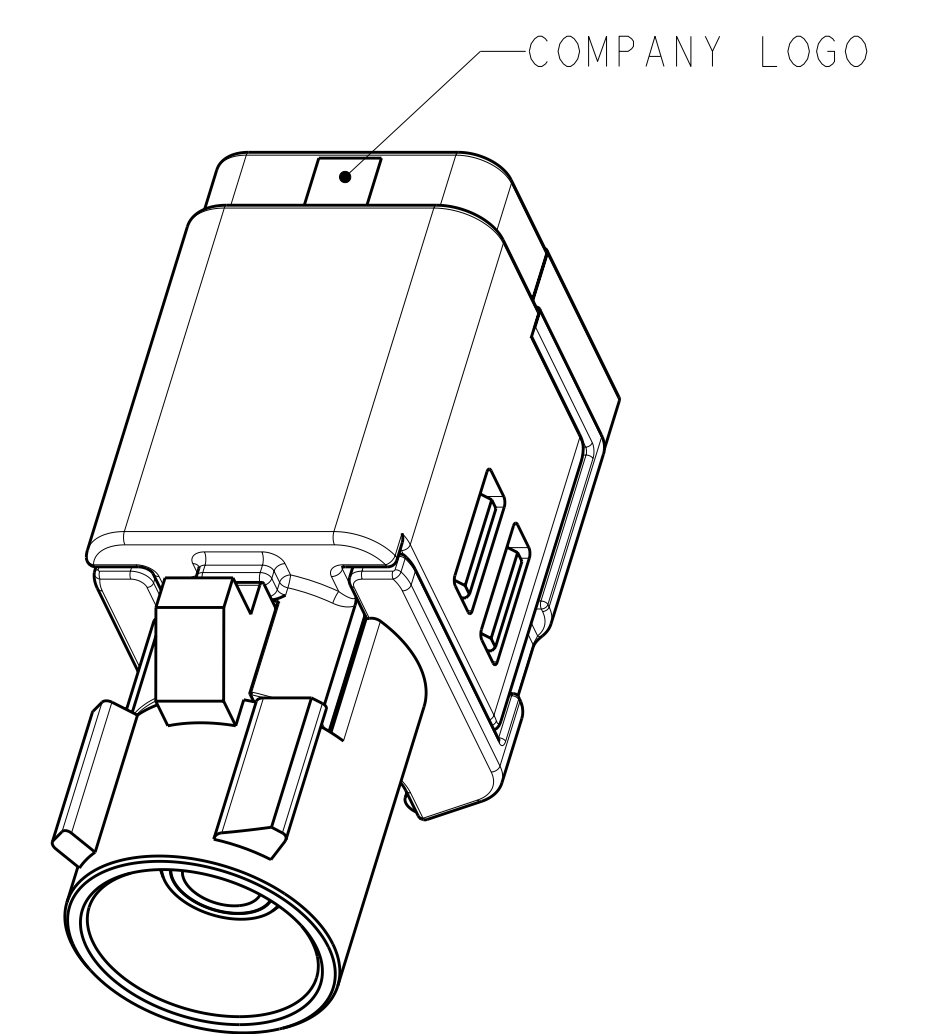
SHELL



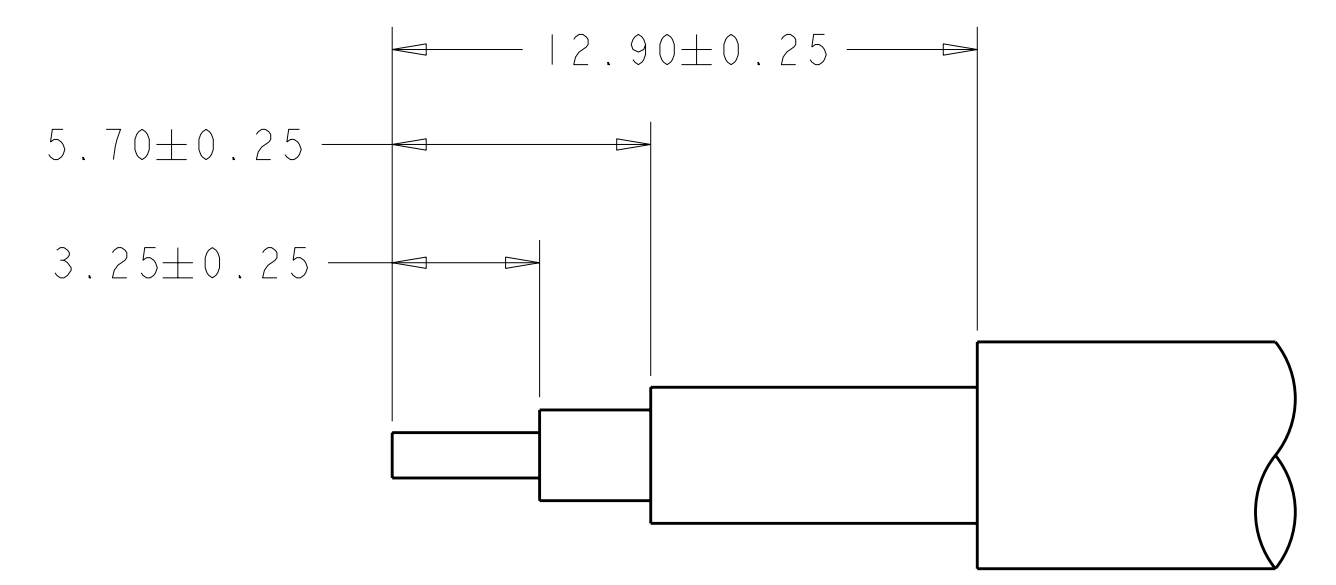
FERRULE



CONTACT



- △ HOUSING: POLYESTER PBT, COLOR: SEE TABLE.
 LOCK: POLYESTER PBT, NATURAL.
 JACK SUBASSEMBLY:
 SHELL - ZINC.
 DIELECTRIC - POLYTETRAFLUORETHYLENE.
 CONTACT: BRASS.
 FERRULE: COPPER.
- △ JACK SUBASSEMBLY:
 SHELL - 2.0µm MIN TIN-LEAD OVER 1.52µm MIN NICKEL OVER COPPER FLASH.
 CONTACT: 0.89µm MIN GOLD OVER 1.27µm MIN NICKEL.
 FERRULE: 2.54µm MIN TIN-LEAD.
- △ MOTOR VEHICLES - RADIO FREQUENCY (MVRF) INTERFACE DIMENSIONS AND ELECTRICAL REQUIREMENTS.
- 4. CRIMP CONTACT USING MIL HAND TOOL M22520/2-01 WITH DANIELS POSITIONER K1041, SET AT POSITION NUMBER 4 PER TYCO ELECTRONICS SPECIFICATION 408-8426.
- 5. CRIMP CABLE BRAID USING MIL HAND TOOL M22520/5-01 WITH DANIELS DIE SET Y1637 (.128 INCH HEX) OR USE AMP PRO-CRIMPER II WITH DIE SET NUMBER 58483-1 PER TYCO ELECTRONICS SPECIFICATION 408-8426.
- 6. JACK SUBASSEMBLY WILL ACCEPT RG-174 AND RG-316 WIRE.



RECOMMENDED STRIP LENGTH DIMENSIONS
 SCALE: NTS

PER DETAIL C	C	SIGNAL BLUE	638831-3
KEYING	CODING	HOUSING COLOR	PART NUMBER
DIMENSIONS: mm TOLERANCES UNLESS OTHERWISE SPECIFIED: 9 PLC ± 1 PLC ±0.10 5 PLC ± 4 PLC ± ANGLES ± FINISH		DWN: D.J. HARDY 13 JUL 2000 CHK: J.W. HALL 14 JUL 2000 APVD: J.W. HALL 14 JUL 2000 PRODUCT SPEC: 108-2054 APPLICATION SPEC: WEIGHT: MATERIAL:	
Tyco Electronics Harrisburg, PA 17105-3608		JACK KIT, UNASSEMBLED, FAKRA, 50 OHM, RG-174, WITH CABLE CLIP, SMB SIZE: CAGE CODE: DRAWING NO: 00779 CUSTOMER DRAWING	
SCALE: 8:1		SHEET 1 OF 2 REV H	

单击下面可查看定价，库存，交付和生命周期等信息

[>>TE Connectivity\(泰科\)](#)