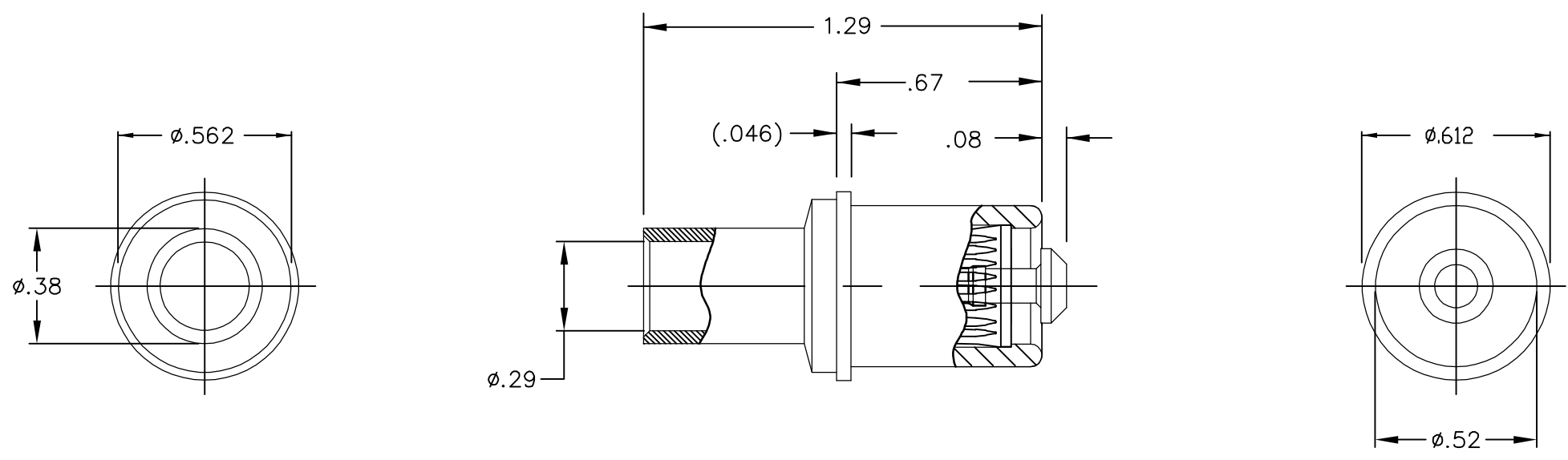


THIS DRAWING IS UNPUBLISHED. RELEASED FOR PUBLICATION
 © COPYRIGHT - BY TYCO ELECTRONICS CORPORATION. ALL RIGHTS RESERVED.

LOC	DIST	REVISIONS					
GP	00	P	LTR	DESCRIPTION	DATE	DWN	APVD
			A	RELEASED	18OCT06	RG	SF



1. PART NUMBER CHANGES AND OR DESIGN CHANGES AFFECTING ITEM INTERCHANGEABILITY REQUIRES PRIOR TYCO APPROVAL AND AUTHORIZATION BY REVISION TO THIS DRAWING.

2 MATERIAL: COPPER ALLOY

3 FINISH: SILVER PLATED 0.0002" MIN. THK. OVER NICKEL .000040" MIN. THK

AS SHOWN	6648427-1
DESCRIPTION	PART NUMBER

THIS DRAWING IS A CONTROLLED DOCUMENT.		DWN	R.GRZYBOWSKI	18OCT2006	Tyco Electronics Corporation Harrisburg, PA 17105-3608		
DIMENSIONS: INCHES		CHK	S.FLICKINGER	18OCT06			
		TOLERANCES UNLESS OTHERWISE SPECIFIED:		APVD	S.FLICKINGER	18OCT06	NAME
0 PLC ± - 1 PLC ± - 2 PLC ± .01 3 PLC ± .005 4 PLC ± - ANGLES ± .5		PRODUCT SPEC		CONTACT, SOCKET BODY			RESTRICTED TO
MATERIAL		FINISH		APPLICATION SPEC			SIZE
- 2		- 3		-			CAGE CODE
				WEIGHT			DRAWING NO
				-			A300779
CUSTOMER DRAWING				SCALE			2:1
				SHEET			1 OF 1
				REV			A

单击下面可查看定价，库存，交付和生命周期等信息

[>>TE Connectivity\(泰科\)](#)