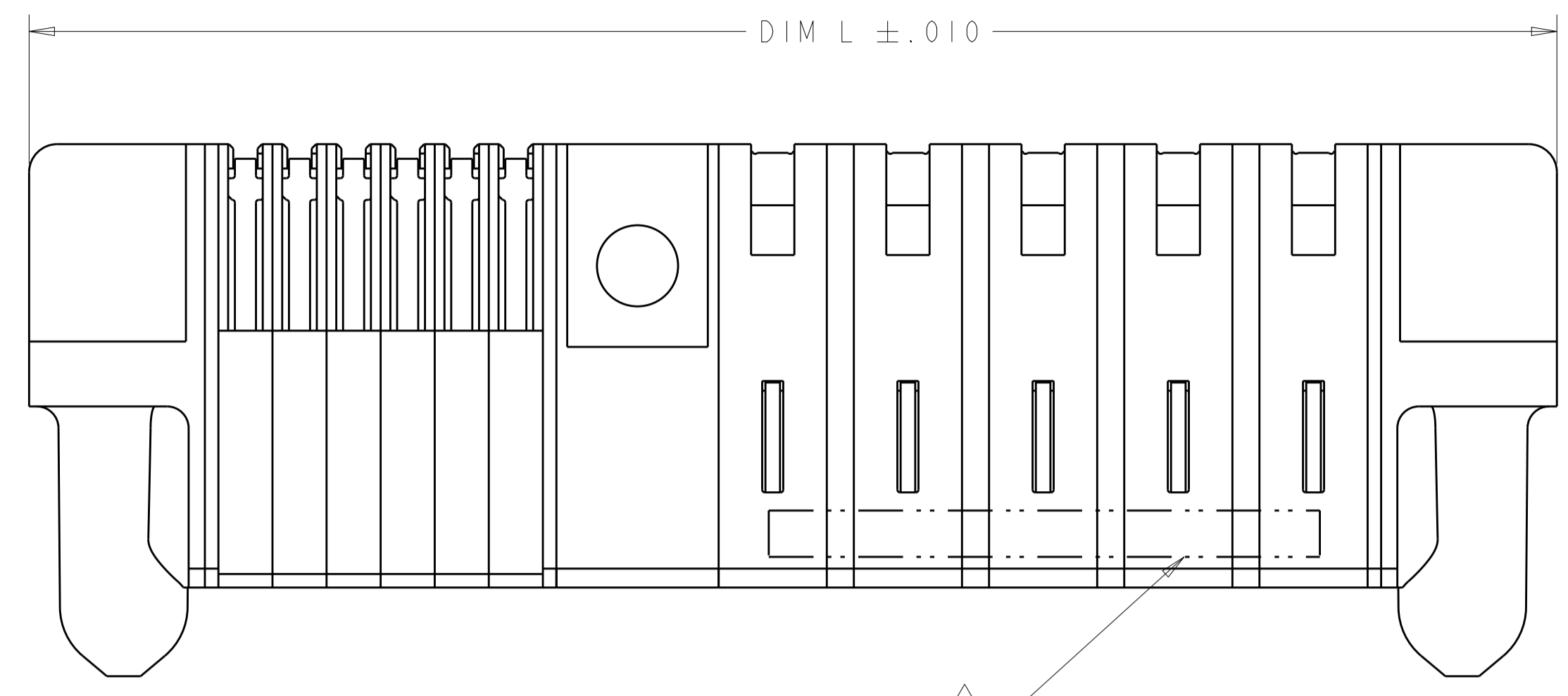
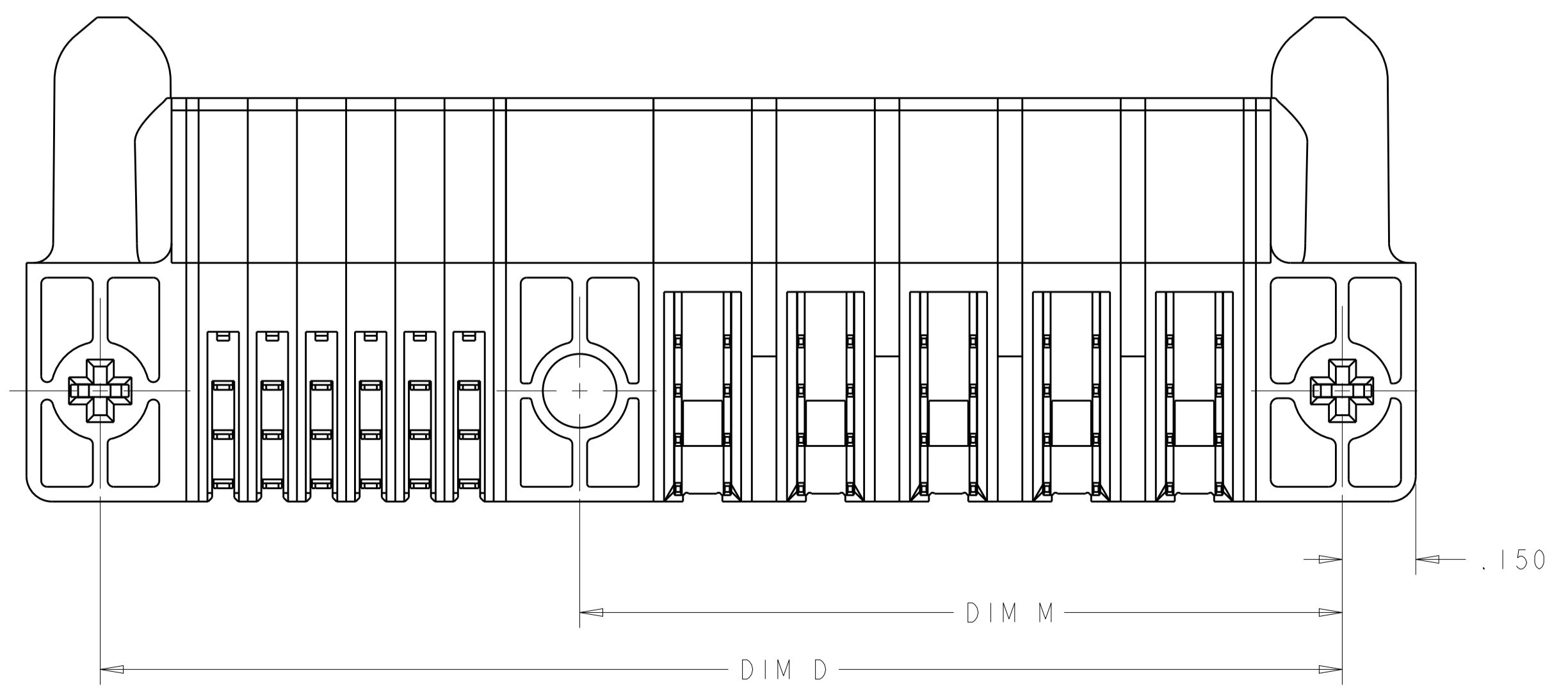
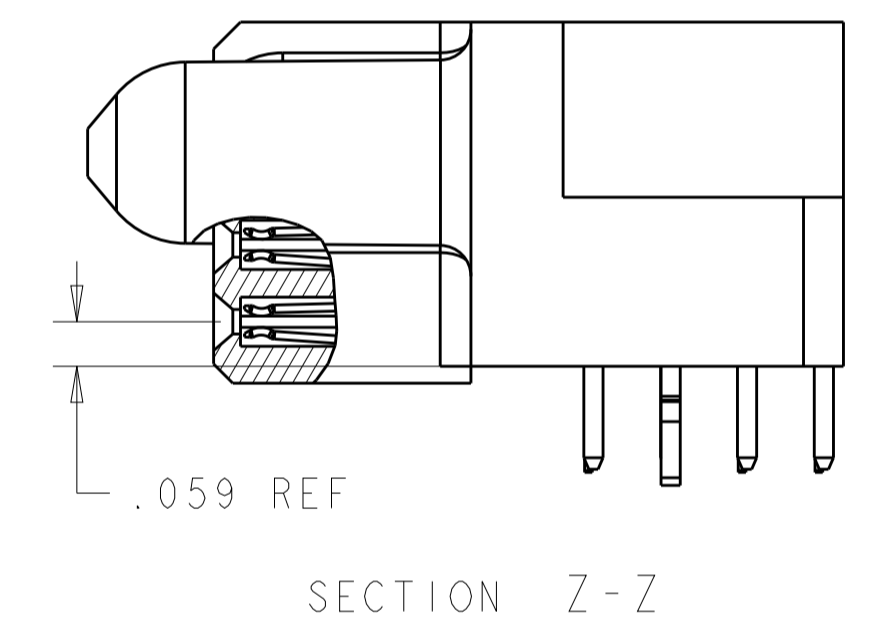
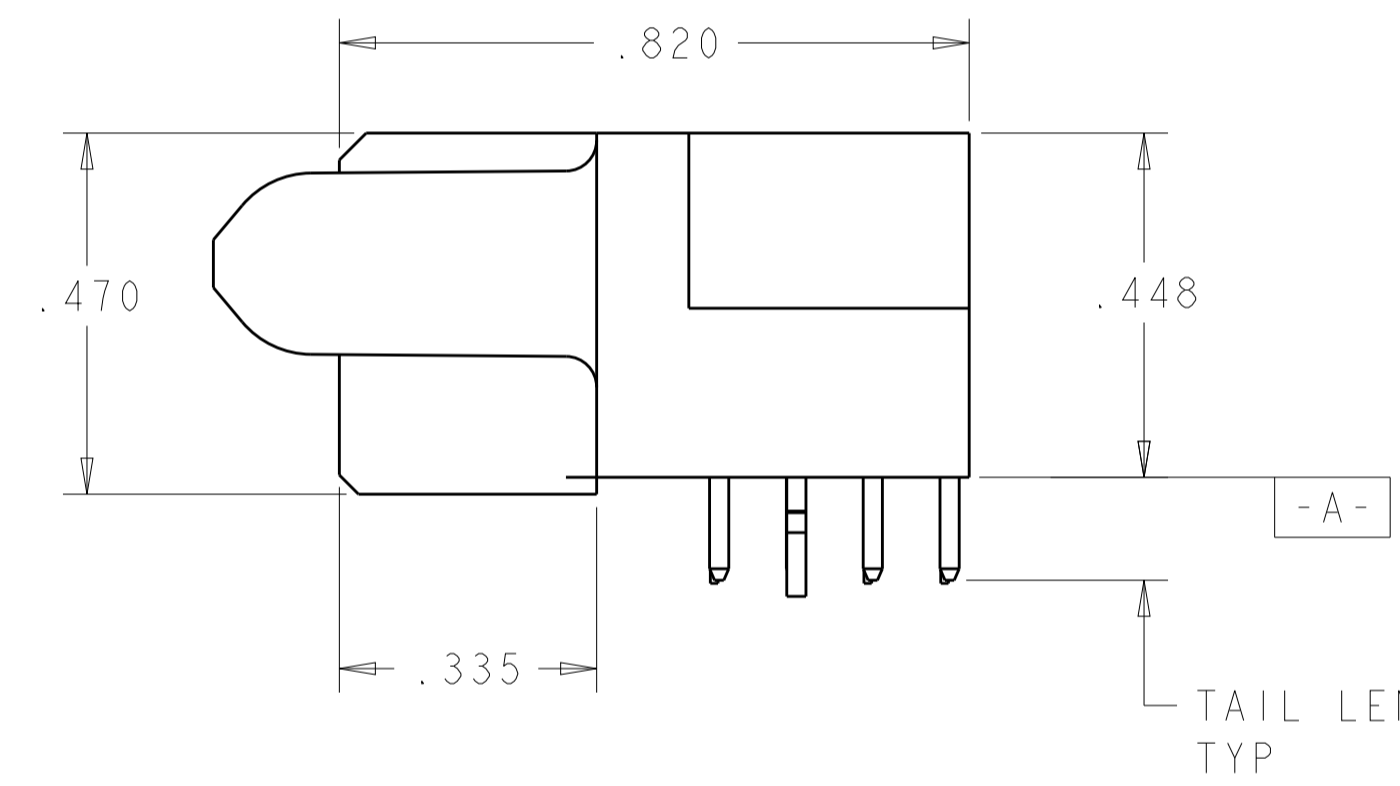
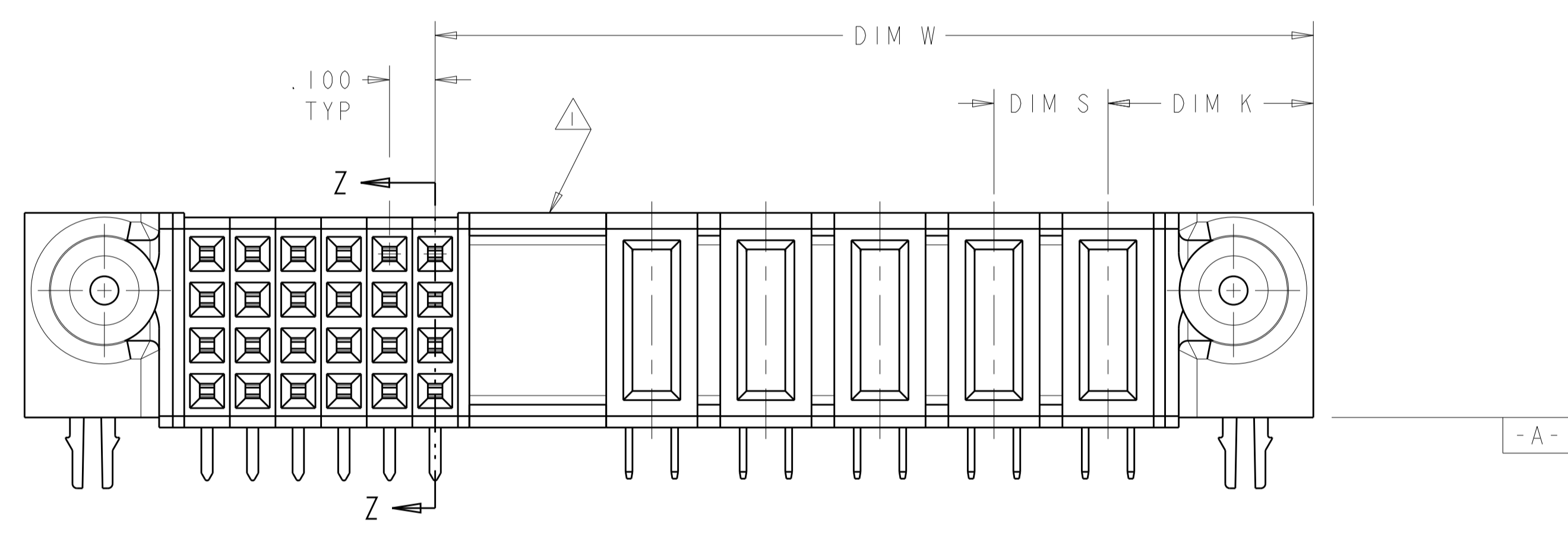


LOC	DIST	REVISIONS					
		P	LTN	DESCRIPTION	DATE	DWN	APVD
ES	00	B1		ADVISED	20MAR2013	ML	SZ



- 1 OPTIONAL CENTER MODULE, WITH Ø.150 THRU HOLE OR HOLD DOWN FEATURE.
- 2 "AMP", TRADEMARK, PART NUMBER AND DATE CODE TO BE MARKED IN AREA SHOWN
- 3 MATERIAL: HOUSING - GLASS FILLED HIGH TEMP THERMO PLASTIC, UL94 V-0, BLACK.  
 SIGNAL CONTACT - COPPER ALLOY  
 POWER CONTACT - HIGH CONDUCTIVITY COPPER ALLOY
- 4 CONTACT PLATING: NOBLE METAL PLATING ON CONTACT FUNCTIONAL AREA OF POWER AND SIGNAL CONTACTS
- 5 MECHANICAL CONNECTOR KEEP OUT ZONE.
- 6 DATUM AND BASIC DIMENSIONS ESTABLISHED BY CUSTOMER.
- 7 PCB - ALL HOLE DIAMETERS ARE FINISHED HOLE SIZES.
- 8 PCB - .0453 ±.0010 DRILLED HOLES PLATED WITH .0003 MIN Sn OVER .001 TO .003 CU PLATING TO ACHIEVE A .040±.003 DIA HOLE.
- 9 POWER CONTACT LUBRICATED WITH LUBRICANT
- 10 THE DETAIL DIMENSION SEE SHEET 2

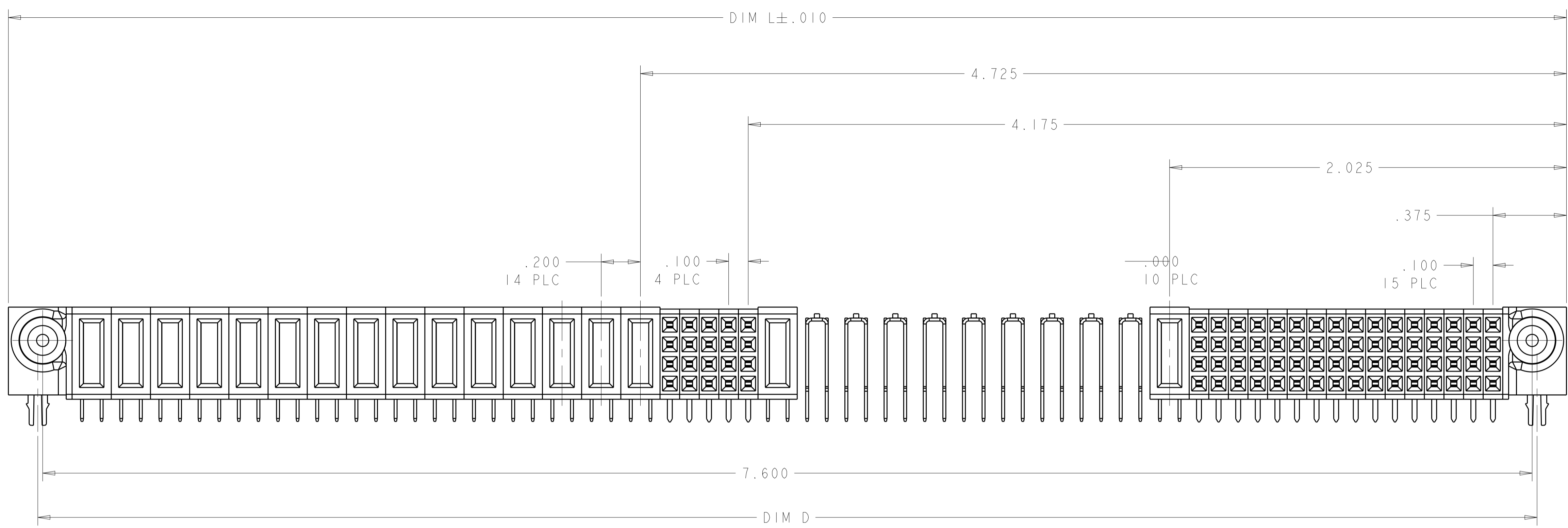


DIM S	DIM W	DIM D	DIM M	DIM L	DIM K	DESCRIPTION	PART NUMBER
-	-	7.650	-	7.950	-	64S+11P+20S+15P	1892502-2
.250	2.375	3.050	-	3.350	.450	8P+28S	1892502-1


  

THIS DRAWING IS A CONTROLLED DOCUMENT.		DWN	Simon Li	22NOV06	TE Connectivity NAME RIGHT ANGLE RECEPTACLE ASSEMBLY WITH GUIDES MULTI-BEAM XL SIZE CAGE CODE DRAWING NO RESTRICTED TO A100779C=1892502
DIMENSIONS: INCHES		CHK	Sunny Zhao	22NOV06	
TOLERANCES UNLESS OTHERWISE SPECIFIED:		APVD	Siqian Yao	22NOV06	
0 PLC	±	PRODUCT SPEC			
1 PLC	±.01	108-1973			
3 PLC	±.005	APPLICATION SPEC			
4 PLC	±.0020	114-13038			
ANGLES	±.020	WEIGHT			
FINISH	±.020	Customer Drawing			

LOC		DIST		REVISIONS			
ES	00	P	LTN	DESCRIPTION	DATE	DWN	APVD
		-		SEE SHEET 1			

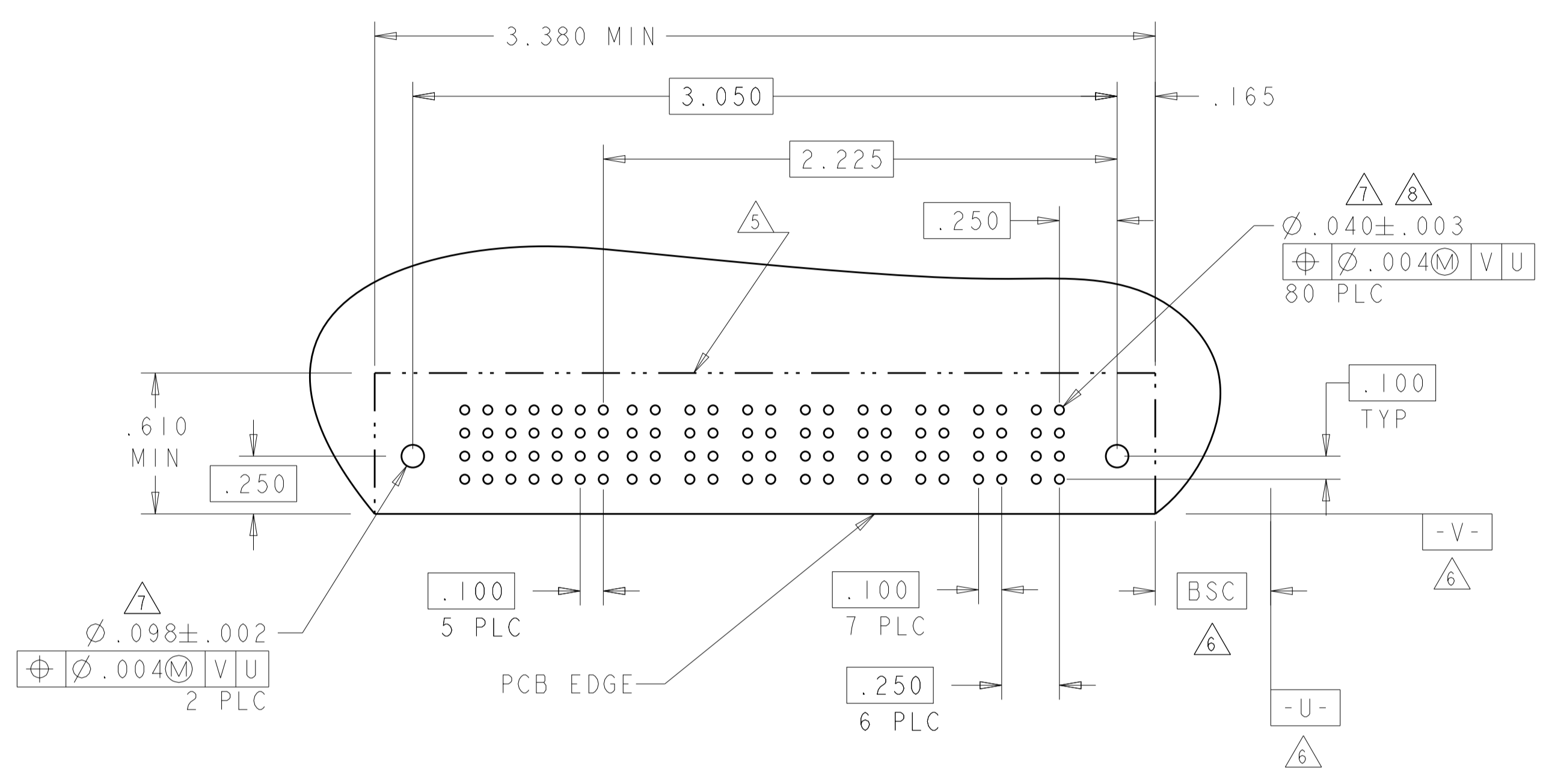


PART NUMBER 1892502-2  
 UNSPECIFIED DIM REFER TO SHEET 1

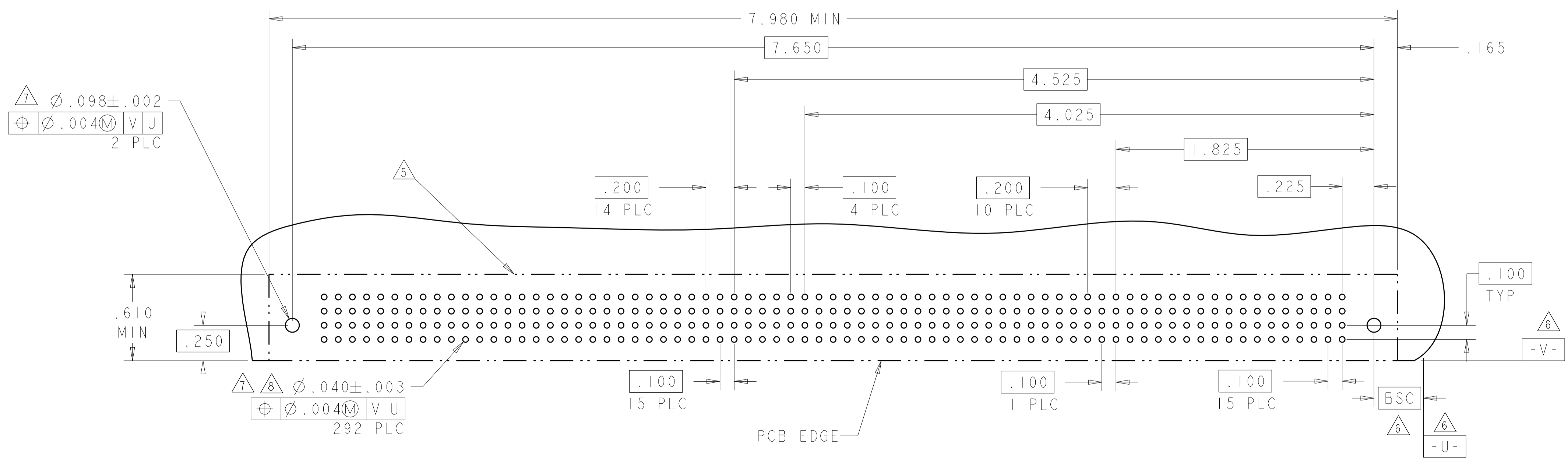
THIS DRAWING IS A CONTROLLED DOCUMENT.		DWN	Simon Li	22NOV06	 TE Connectivity
DIMENSIONS:		CHK	Sunny Zhao	22NOV06	
INCHES		APVD	Siqian Yao	22NOV06	
0 PLC ± 1 PLC ± 2 PLC ±.01 3 PLC ±.005 4 PLC ±.0020 ANGLES ±.2°		NAME	RIGHT ANGLE RECEPTACLE ASSEMBLY WITH GUIDES MULTI-BEAM XL		
TOLERANCES UNLESS OTHERWISE SPECIFIED: DIMENSIONS: INCHES		PRODUCT SPEC	108-1973		RESTRICTED TO
MATERIAL: - FINISH: -		APPLICATION SPEC	114-13038		SIZE
		WEIGHT	-		CAGE CODE
		Customer Drawing	A100779C=1892502		DRAWING NO
		SCALE	4:1		SHEET
			2		OF
			3		REV
			B1		

LOC	DIST	REVISIONS			
P	LTN	DESCRIPTION	DATE	DMN	APVD
ES	00	SEE SHEET 1			

PART NUMBER	ROWS	SIGNAL							POWER							
		7	6	5	4	3	2	1	P8	P7	P6	P5	P4	P3	P2	P1
1892502-1	D C B A	H	H	H	H	H	H	H	RA	RM	RM	RA	RM	RA	RM	RA
		G	G	G	G	G	G	G								
		F	F	F	F	F	F	F								
		E	E	E	E	E	E	E								
8P + 28S																



PART NUMBER	ROWS	POWER														SIGNAL					POWER														SIGNAL													
		P26	P25	P24	P23	P22	P21	P20	P19	P18	P17	P16	P15	P14	P13	P12	21	20	19	18	17	P11	P10	P9	P8	P7	P6	P5	P4	P3	P2	P1	16	15	14	13	12	11	10	9	8	7	6	5	4	3	2	1
1892502-2	D C B A	RM	RM	RM	RM	RM	RM	RM	RM	RM	RM	RM	RM	RM	RM	H	H	H	H	H	RM	RM	RM	RM	RM	RM	RM	RM	RM	RM	RM	H	H	H	H	H	H	H	H	H	H	H	H	H	H	H	H	
		G	G	G	G	G	G	G	G	G	G	G	G	G	G																																	
		F	F	F	F	F	F	F	F	F	F	F	F	F	F																																	
		E	E	E	E	E	E	E	E	E	E	E	E	E	E																																	
64S+11P+20S+15P																																																



CODE	DESCRIPTION	ROW
RM	.135 STD POWER CONTACT	-
RA	.135 MFBL POWER CONTACT	-
L	.090 TAIL LENGTH SIGNAL	D
K	.090 TAIL LENGTH SIGNAL	C
J	.090 TAIL LENGTH SIGNAL	B
I	.090 TAIL LENGTH SIGNAL	A
H	.135 TAIL LENGTH SIGNAL	D
G	.135 TAIL LENGTH SIGNAL	C
F	.135 TAIL LENGTH SIGNAL	B
E	.135 TAIL LENGTH SIGNAL	A

CONTACT TABLE

THIS DRAWING IS A CONTROLLED DOCUMENT.

DMN: Simon Li 22NOV06  
 CHN: Sunny Zhao 22NOV06  
 APVD: Siyuan Yao 22NOV06

STE TE Connectivity

NAME: RIGHT ANGLE RECEPTACLE ASSEMBLY WITH GUIDES MULTI-BEAM XL

SIZE: A1 CAGE CODE: 114-13038 DRAWING NO: 100779 C=1892502

Customer Drawing SCALE: 4:1 SHEET 3 OF 3 REV: B1

单击下面可查看定价，库存，交付和生命周期等信息

[>>TE Connectivity\(泰科\)](#)