

4

3

2

1

THIS DRAWING IS UNPUBLISHED.

RELEASED FOR PUBLICATION

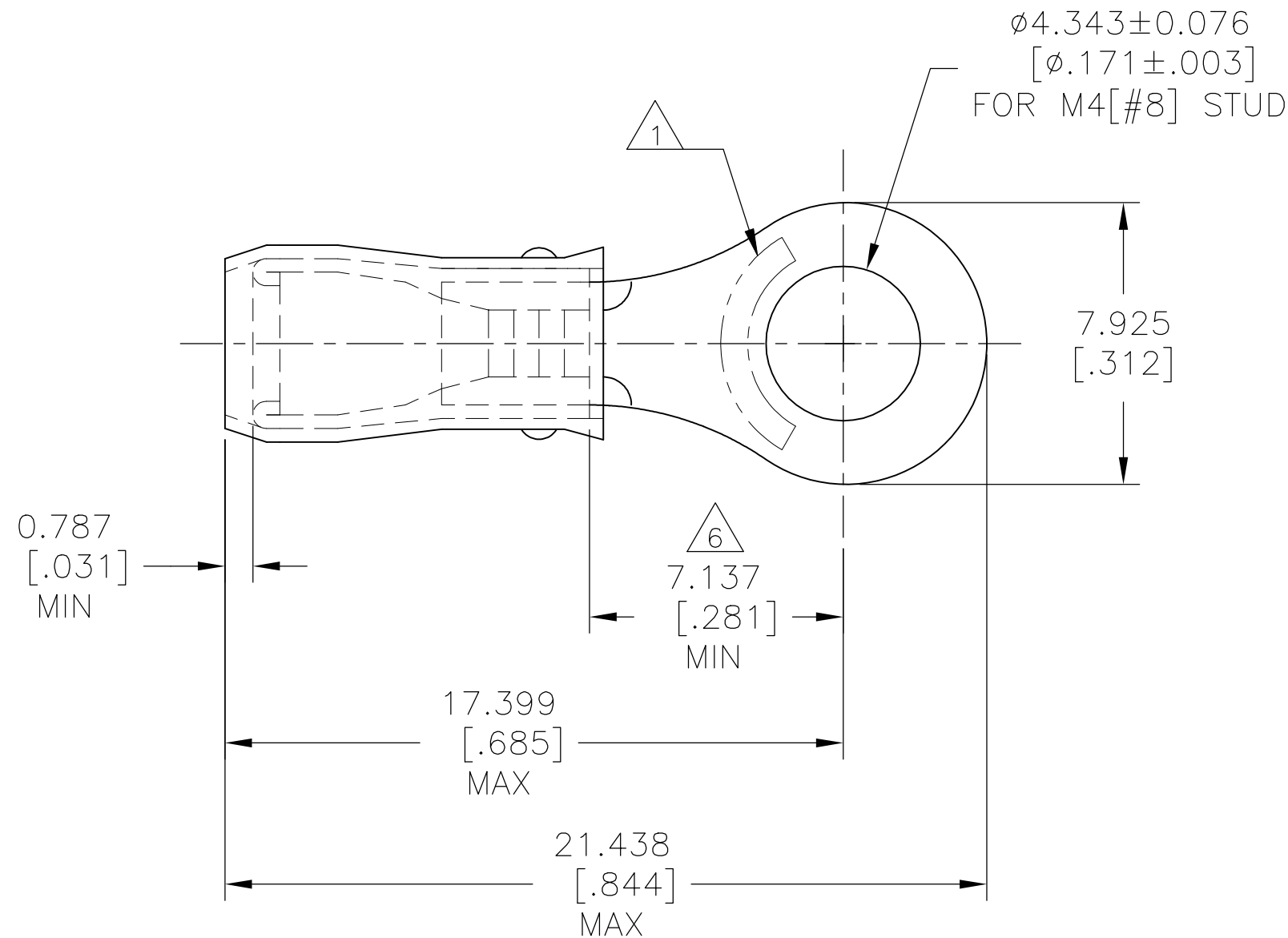
ALL RIGHTS RESERVED.

© COPYRIGHT - By -

REVISIONS

P	LTR	DESCRIPTION	DATE	DWN	APVD
	U1	REVISED PER ECO-11-004917	11MAR11	RK	HMR
	U2	REVISED PER ECO-17-008114	01JUN2018	RS	DR

AMP WIRE RANGE	E13288 Listed	LR7189 Certified
22-16 AWG SOLID OR STRANDED	22-16 AWG SOLID OR STRANDED	22-16 AWG SOLID OR STRANDED



- 1 STAMP AMP 22-18* APPROX AS SHOWN
22-16 TERMINALS ARE STAMPED 22-18
IN ACCORDANCE WITH MILITARY SPEC
SAE AS7928 COMMERCIAL WIRE RANGE IS
22-16
- 2 WIRE INSULATION DIA:
2.032-3.175 [.080-.125]
- 3 TONGUE MATERIAL THK:
0.787±0.051 [.031±.002]
- 4 TIN PL 0.00254 [.000100] MIN EXT THK
PER ASTM B545
- 5 NOTE DELETED
- 6 APPLIES FROM EDGE OF METAL WIRE
BARREL TO CENTER OF STUD

1000	LOOSE PIECE	31888
QUANTITY	PACKAGE TYPE	PART NO

AMP INCORPORATED
CUSTOMER SERVICE SYSTEMS

THIS DRAWING IS A CONTROLLED DOCUMENT.

DWN	02/11/93
DK SCHRUM	
CHK	4/28/93
RE HERSEY	
APVD	4/28/93
ML ELLIS	

TE Connectivity Ltd.

FOR ADDITIONAL PRODUCT INFORMATION OR COPIES OF DRAWINGS AND TECHNICAL DOCUMENTS	PRODUCT INFORMATION CENTER 1-800-522-6752
FOR APPLICATION TOOLING INFORMATION	TOOLING ASSISTANCE CENTER 1-800-722-1111
FOR ORDER ENTRY	1-800-526-5142

MAX RECOMMENDED OPERATING TEMPERATURE: 105°C [221°F]
VOLTAGE RATING: 300 V MAX
WIRE CROSS SECTIONAL AREA RANGE, 0.26-1.65mm²[509-3,260] CIR MILS SOLID OR STRANDED

DIMENSIONS: mm [INCHES]	TOLERANCES UNLESS OTHERWISE SPECIFIED:
	0 PLC ± -
	1 PLC ± -
	2 PLC ± -
	3 PLC ± 0.127 [.005]
	4 PLC ± -
MATERIAL COPPER PER ASTM B-152 SLEEVE, RED VINYL	FINISH

PRODUCT SPEC UL 486A-B
APPLICATION SPEC 114-2157
WEIGHT
CUSTOMER DRAWING

NAME TERMINAL, RING TONGUE, PIDG™, WIRE SIZE, 22-16 AWG			
SIZE A3	CAGE CODE 00779	DRAWING NO C-31888	RESTRICTED TO -
SCALE 6:1	SHEET 1 of 1	REV U2	

单击下面可查看定价，库存，交付和生命周期等信息

[>>TE Connectivity\(泰科\)](#)