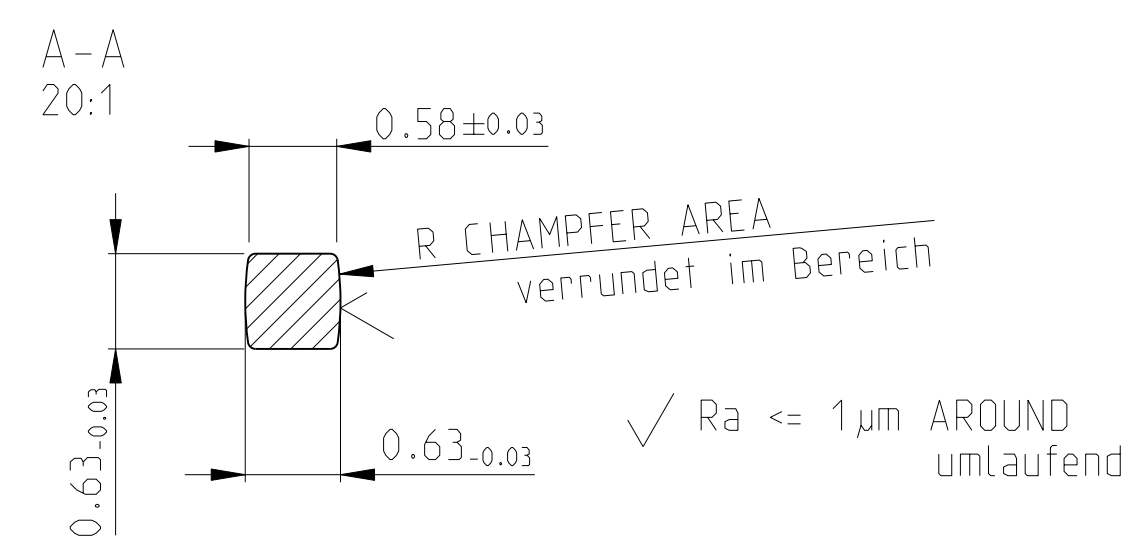
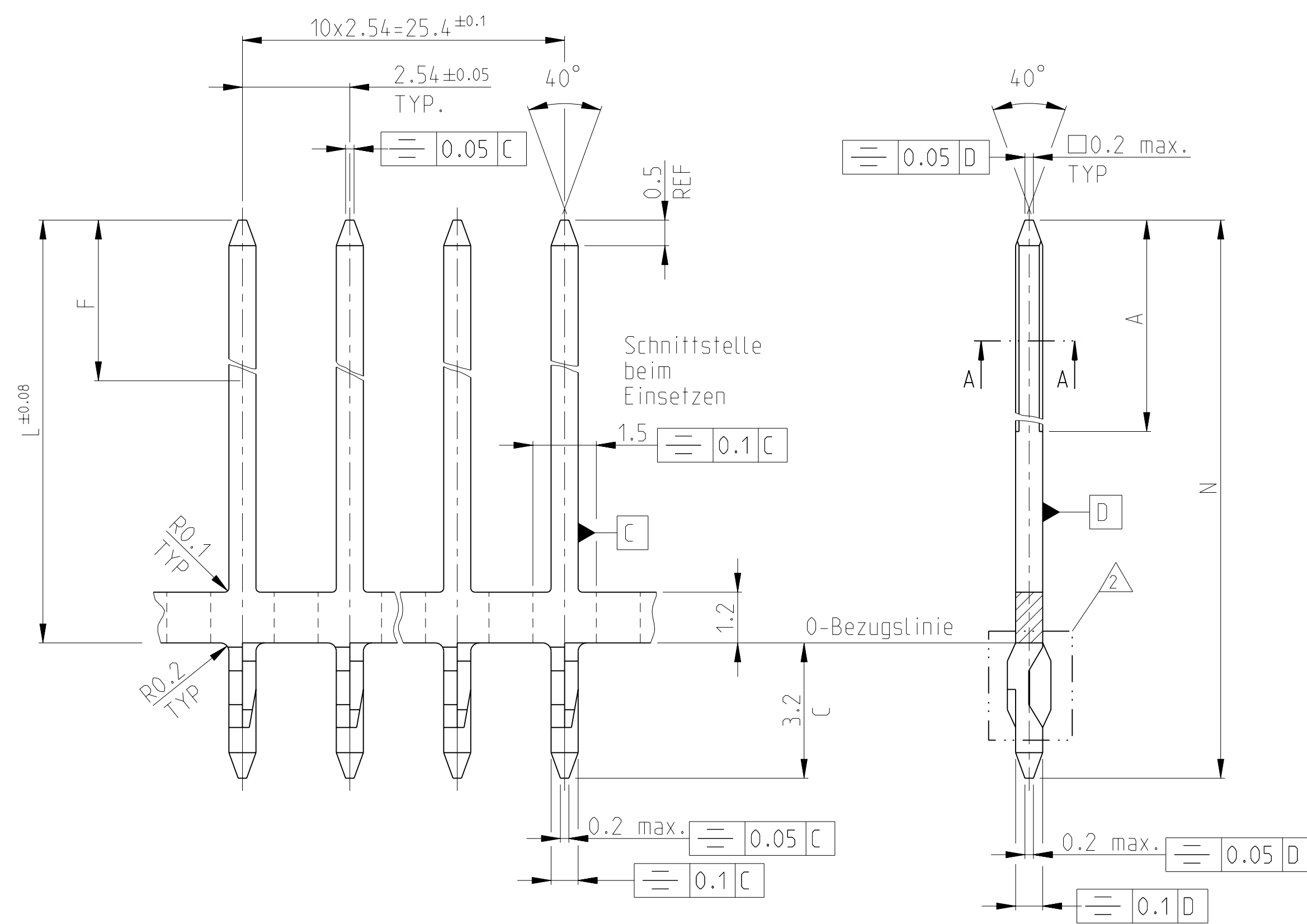
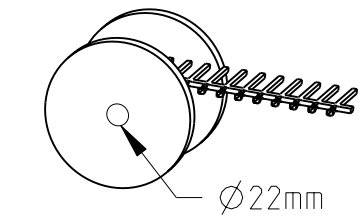


THIS DRAWING IS UNPUBLISHED. RELEASED FOR PUBLICATION 2008
 © COPYRIGHT 2008 BY TYCO ELECTRONICS CORPORATION. ALL RIGHTS RESERVED.

LOC	DIST	REVISIONS					
		P	LTR	DESCRIPTION	DATE	DWN	APVD
A1	-	F1		Zeichnung wird NEUTRAL	31JUL1996	Beu	-
		F2		Material bleifrei	13SEP2004	Stein	-
		F3		Bem. 2 korrigiert	26AUG2005	Beu	-
		F4		New drawing created / note 3 updated	11MAR2008	Haas	Zitz



- 7 APPLICATION TOOL; X-Y- MACHINE 2-872 020-9
Verarbeitungswerkzeug; X-Y-Einsetzmaschine 2-872 020-9
- 6 1-2µm TIN IN AREA "F" ABOVE
1.2µm NICKEL IN AREA "L"
AREA "C": 5.0µm TIN ABOVE 1.2µm NICKEL
1-2µm Zinn im Bereich "F" über
1.2µm Nickel im Bereich "L"
Im Bereich "C" 5.0µm Zinn über 1.2µm Nickel
- 5 TE-SPEC. 108-18002
TE-Spez.
- 4 SOLDERABILITY ACC. TO DIN40046
Lötbarkeit nach
- 3 REEL UNIT 50000 PINS Rolleneinheit 50000 Stifte
REEL-Ø 600MM Rollen-Ø 600mm
REEL THICKNESS Rollendicke
14mm for 1-929958-1
14mm for 2-929958-1
19mm for 1-929958-2
16mm for 2-929958-2
- 2 PRESS-IN ZONE FOR 1.6mm PCB
REQUIREMENTS ON THE PCB-hole:
Einpressezone für 1.6mm Leiterplatte
Anforderung an Leiterplatten-Bohrung:
Bohrlochdurchmesser / HOLE DIAMETER: 1.0±0.025mm
Cu-Dicke / Cu-THICKNESS: 25-50µm
Sn-Dicke / Sn-THICKNESS: 4-10µm
Fertiglochdurchmesser / FINISHED HOLE DIAMETER: 0.9±0.05mm
- 1 0.2µm Au IN AREA "F" ABOVE
1.2µm NICKEL IN AREA "L"
IN AREA "C": 5.0µm TIN ABOVE
1.2µm NICKEL.
0.2µm Au im Bereich "F" über
1.2µm Nickel im Bereich "L"
Im Bereich "C" 5.0µm Zinn über
1.2µm Nickel



NOT FOR NEW APPLICATIONS
Nicht für Neuanwendungen

6	CuSn4/F65	7	7	13.2	10	2-929 958-2
1	CuSn4/F65	7	6	13.2	10	1-929 958-2
6	CuSn4/F65	6.7	6.7	11.45	8.25	2-929 958-1
1	CuSn4/F65	6.7	6	11.45	8.25	1-929 958-1
FINISH	MATERIAL	"A"	"F"	"N"	"L"	ORDER NO Bestell-Nr.
DIMENSIONS						3

THIS DRAWING IS A CONTROLLED DOCUMENT FOR TYCO ELECTRONICS CORPORATION IT IS SUBJECT TO CHANGE AND THE CONTROLLING ENGINEERING ORGANIZATION SHOULD BE CONTACTED FOR THE LATEST REVISION.		DWN Zwornig 14 JUL 1989	Tyco Electronics AMP GmbH 64625 Bensheim (Germany)	
DIMENSIONS: mm		CHK Zitz A. 12MAR2008	NAME ACTION PIN FOR MICRO QUADLOK SYSTEM	
TOLERANCES UNLESS OTHERWISE SPECIFIED: 0 PLC ± ±0.2 1 PLC ± ±0.2 2 PLC ± ±0.2 3 PLC ± ±0.2 4 PLC ± ±0.2 ANGLES ±5°		APVD Bleicher M. 14MAR2008	RESTRICTED TO	
MATERIAL SSE TABLE	FINISH SEE TABLE	PRODUCT SPEC -	SIZE A2	CAGE CODE 00779
CUSTOMER DRAWING		APPLICATION SPEC -	DRAWING NO G-929958	SCALE 5:1
		WEIGHT -	SHEET 1 of 1	REV F4

单击下面可查看定价，库存，交付和生命周期等信息

[>>TE Connectivity\(泰科\)](#)