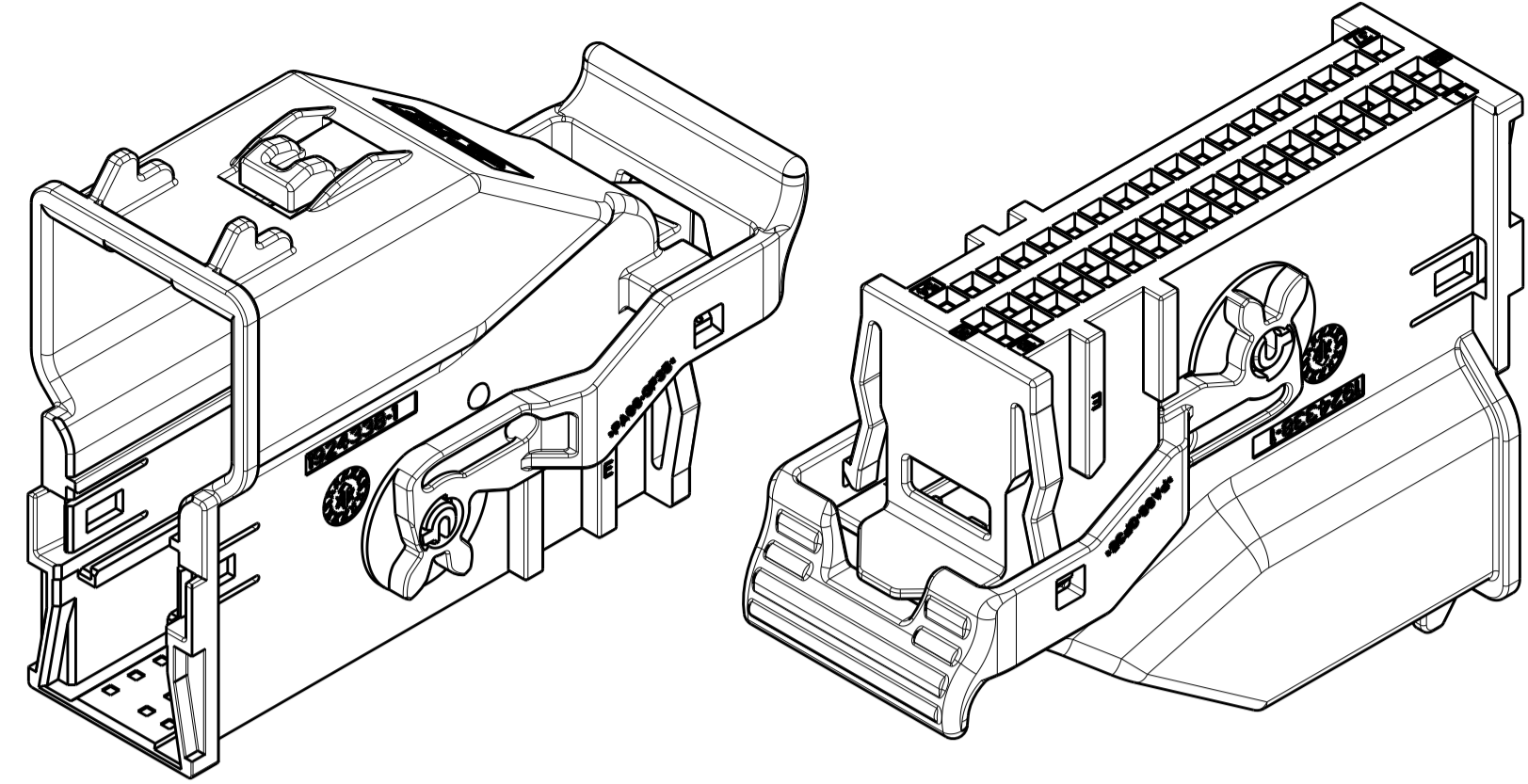
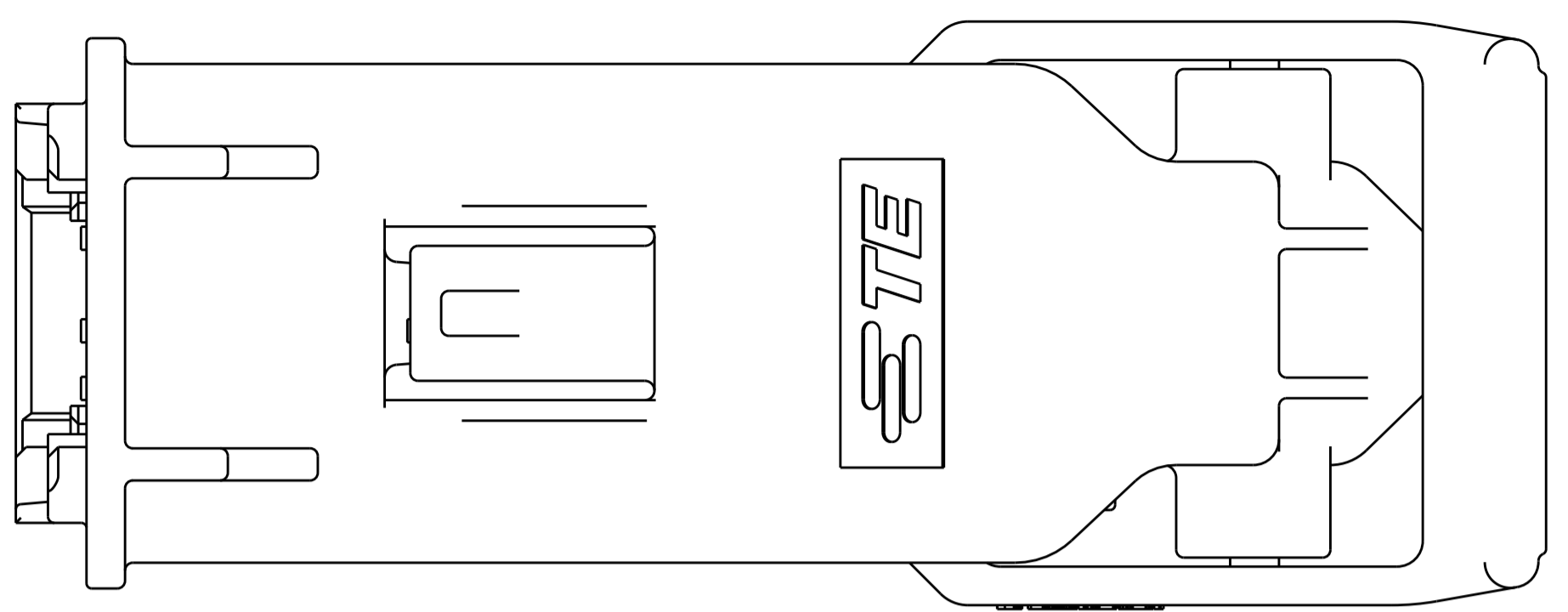


REVISIONS					
P.	LTN	DESCRIPTION	DATE	OWN	APVD
A2		REVISED PER ECO-10-001736	27JAN2010	DLD	CJS
A3		REVISED PER ECO-16-000111	05JAN2016	DLD	CJS

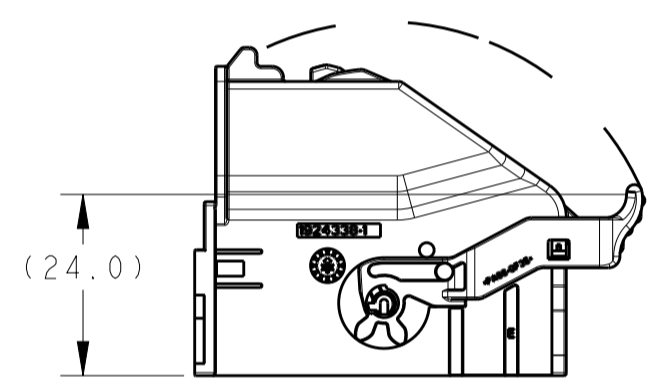
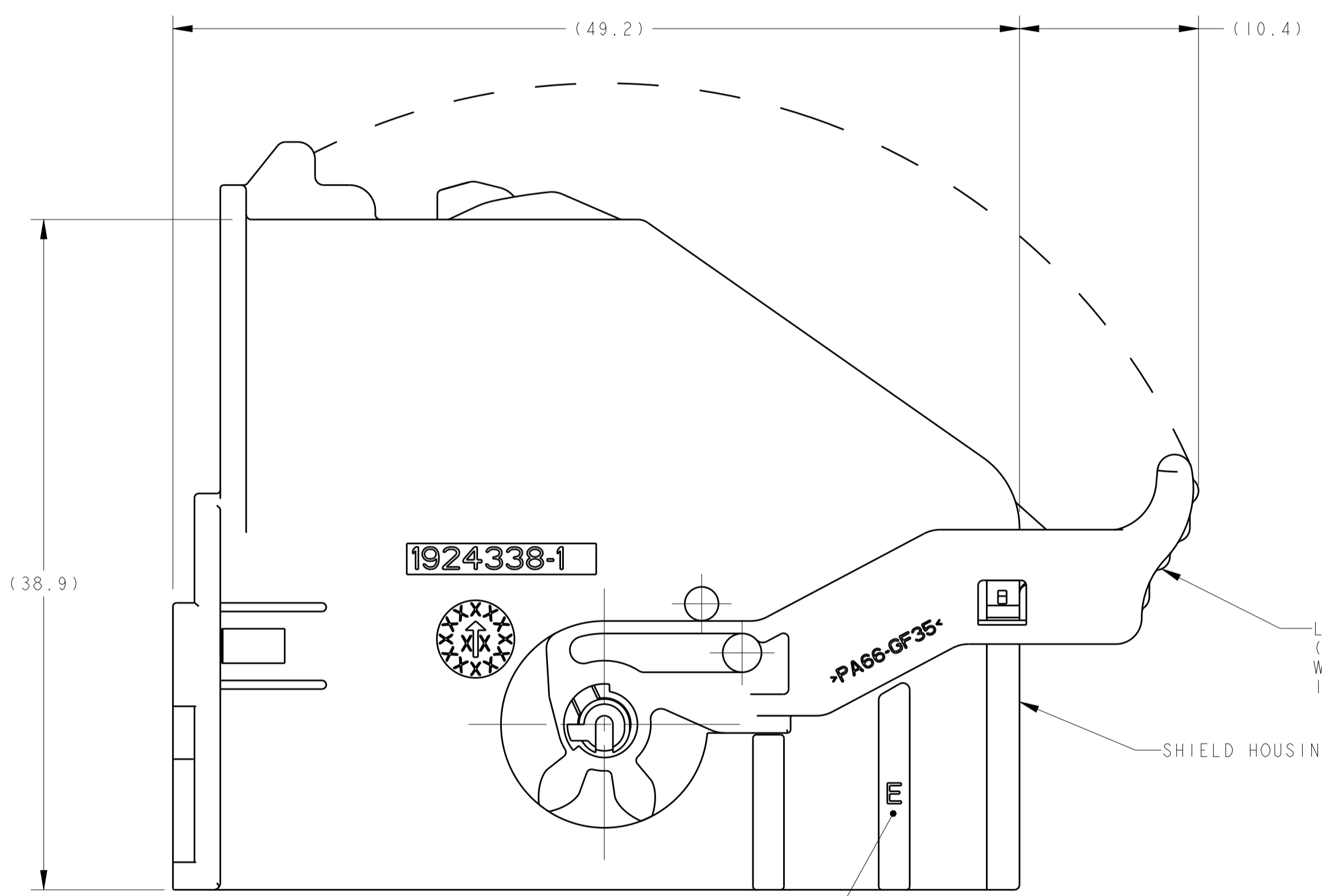
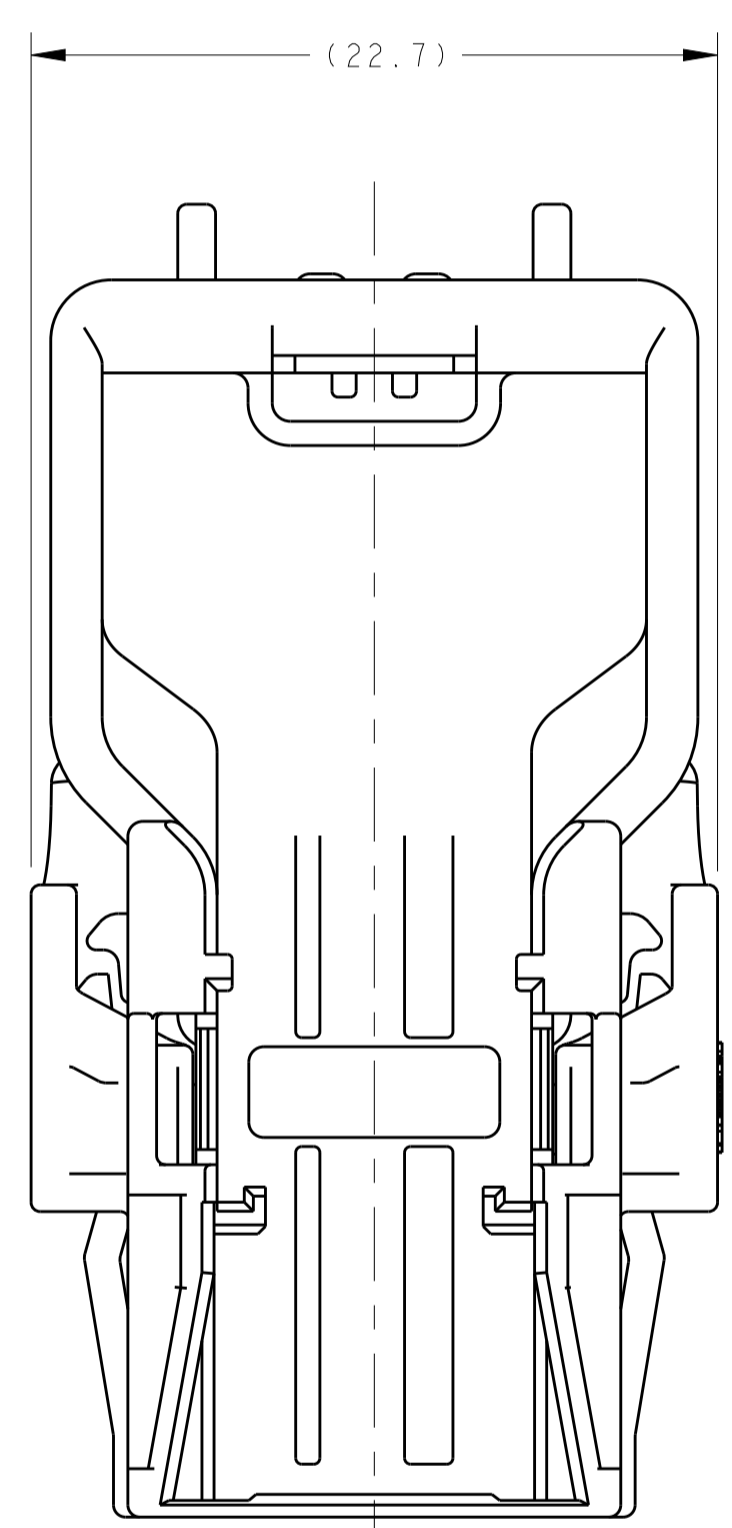


ISOMETRIC VIEWS
SCALE 2:1



△ MATERIAL: SHIELD HOUSING: NYLON 6/6, COLOR - SEE TABLE.
LEVER: NYLON 6/6, COLOR: GRAY.

2. SHIELD ASSEMBLY ACCEPTS ASSEMBLED TYCO ELECTRONICS CARRIER PART NUMBERS 1924340-1 & 1924341-1. 1924340-1 & 19243341-1 MUST BE ASSEMBLED TOGETHER BEFORE INSERTING INTO SHIELD ASSEMBLY.



LEVER IN MATED POSITION
SHOWN FOR REFERENCE ONLY
SCALE 1:1

LEVER
(DELIVERY CONDITION
WITH LEVER AS SHOWN LOCKED
IN UNMATED POSITION)

SHIELD HOUSING

KEY IDENTIFIER REF

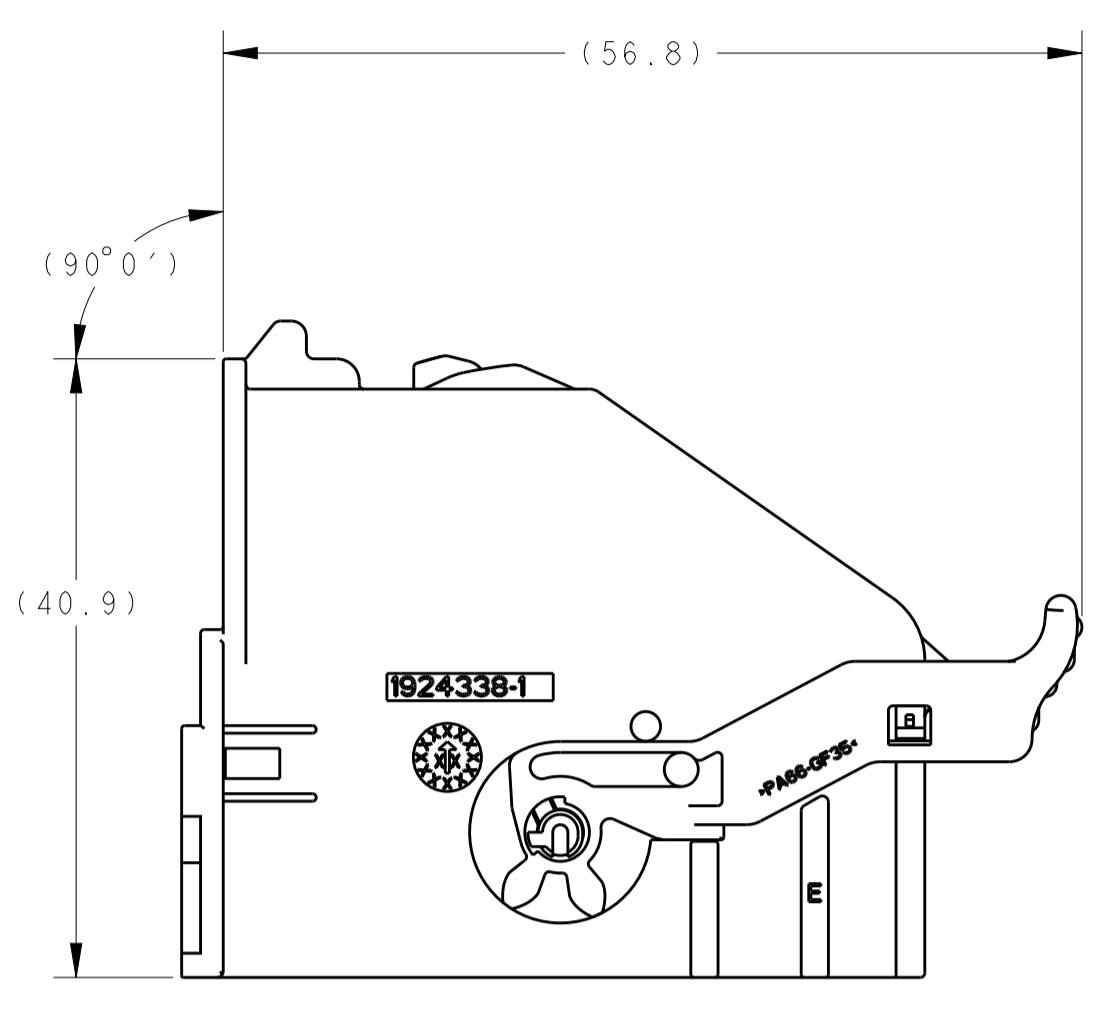
PRELIMINARY - NOT RELEASED FOR PRODUCTION	TBD	PER DETAIL Z	20°0'	PER DETAIL AF	A-F	1-1924337-6
PRELIMINARY - NOT RELEASED FOR PRODUCTION	TBD			PER DETAIL CD	C-D	1-1924337-5
PRELIMINARY - NOT RELEASED FOR PRODUCTION	TBD			PER DETAIL BF	B-F	1-1924337-4
RELEASED	BLACK			PER DETAIL AE	A-E	1-1924337-3
PRELIMINARY - NOT RELEASED FOR PRODUCTION	TBD	PER DETAIL Y	45°0'	PER DETAIL AF	A-F	1-1924337-2
PRELIMINARY - NOT RELEASED FOR PRODUCTION	TBD			PER DETAIL CD	C-D	1-1924337-1
PRELIMINARY - NOT RELEASED FOR PRODUCTION	TBD			PER DETAIL BF	B-F	1-1924337-0
PRELIMINARY - NOT RELEASED FOR PRODUCTION	TBD	PER DETAIL X	70°0'	PER DETAIL AE	A-E	1924337-9
PRELIMINARY - NOT RELEASED FOR PRODUCTION	TBD			PER DETAIL AF	A-F	1924337-8
PRELIMINARY - NOT RELEASED FOR PRODUCTION	TBD			PER DETAIL CD	C-D	1924337-7
PRELIMINARY - NOT RELEASED FOR PRODUCTION	TBD	PER DETAIL W	90°0'	PER DETAIL BF	B-F	1924337-6
PRELIMINARY - NOT RELEASED FOR PRODUCTION	TBD			PER DETAIL AE	A-E	1924337-5
PRELIMINARY - NOT RELEASED FOR PRODUCTION	TBD			PER DETAIL AF	A-F	1924337-4
RELEASED	BLUE			PER DETAIL CD	C-D	1924337-3
RELEASED	GRAY			PER DETAIL BF	B-F	1924337-2
RELEASED	BLACK			PER DETAIL AE	A-E	1924337-1
STATUS	SHIELD HOUSING COLOR	WIRE EXIT	WIRE EXIT ANGLE	KEYING	KEYING OPTION	PART NUMBER

THIS DRAWING IS A CONTROLLED DOCUMENT.

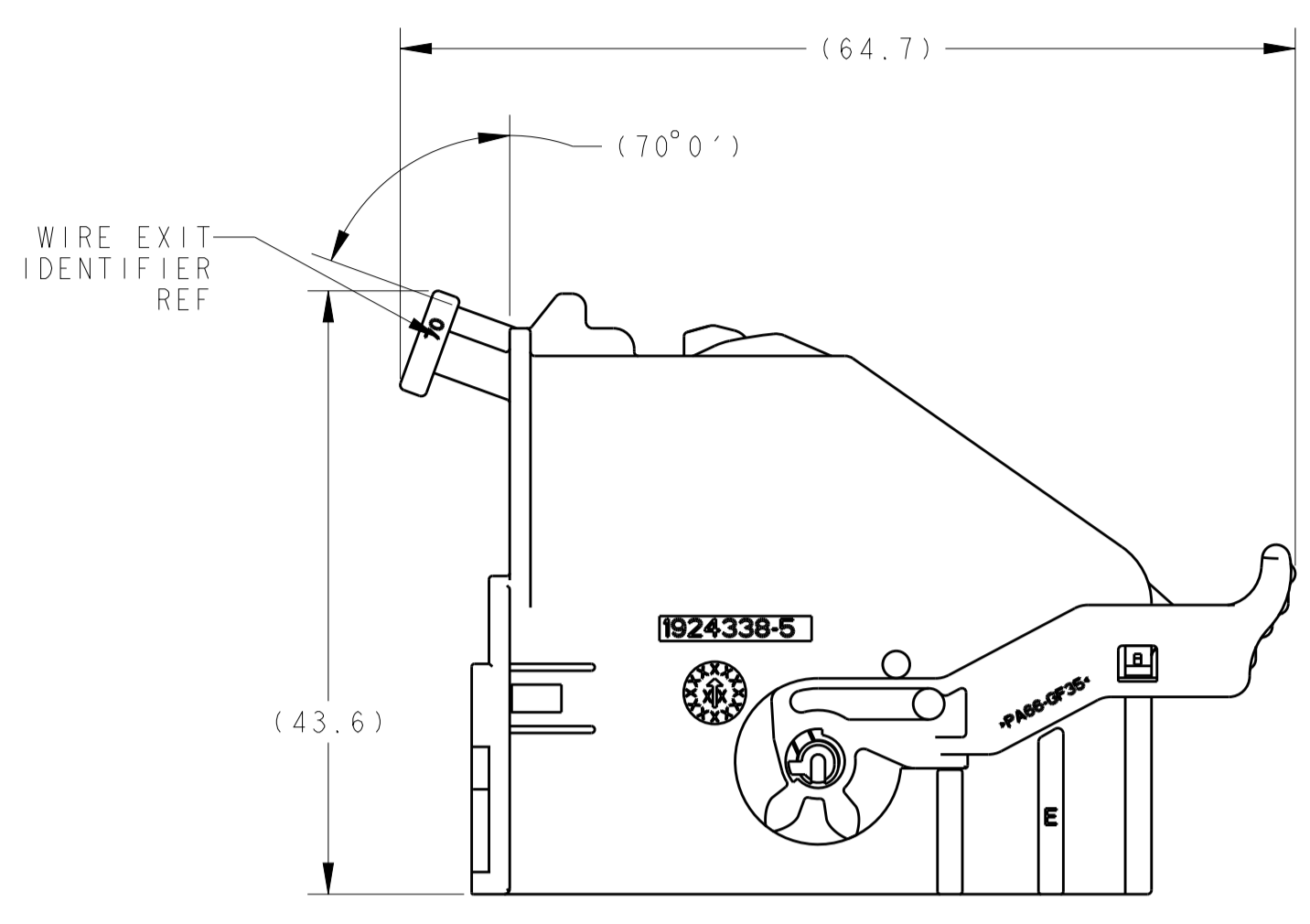
DIMENSIONS:	TOLERANCES UNLESS OTHERWISE SPECIFIED:	OWN	15FEB2007
mm	0 PLC ±0.1	CHK	16FEB2007
	2 PLC ±0.05	G. MARTIN	
	3 PLC ±0.05	APVD	16FEB2007
	4 PLC ±0.05	G. MARTIN	
	ANGLES ±1°0'	NAME	SHIELD ASSEMBLY, 54 POSITION, 0.64mm GENERATION Y, CONNECTOR
MATERIAL	FINISH	SIZE	CAGE CODE DRAWING NO
		RESTRICTED TO	
		WEIGHT	A100779C=1924337
		CUSTOMER DRAWING	SCALE 1:1 SHEET 1 OF 2 REV A3

STE TE Connectivity

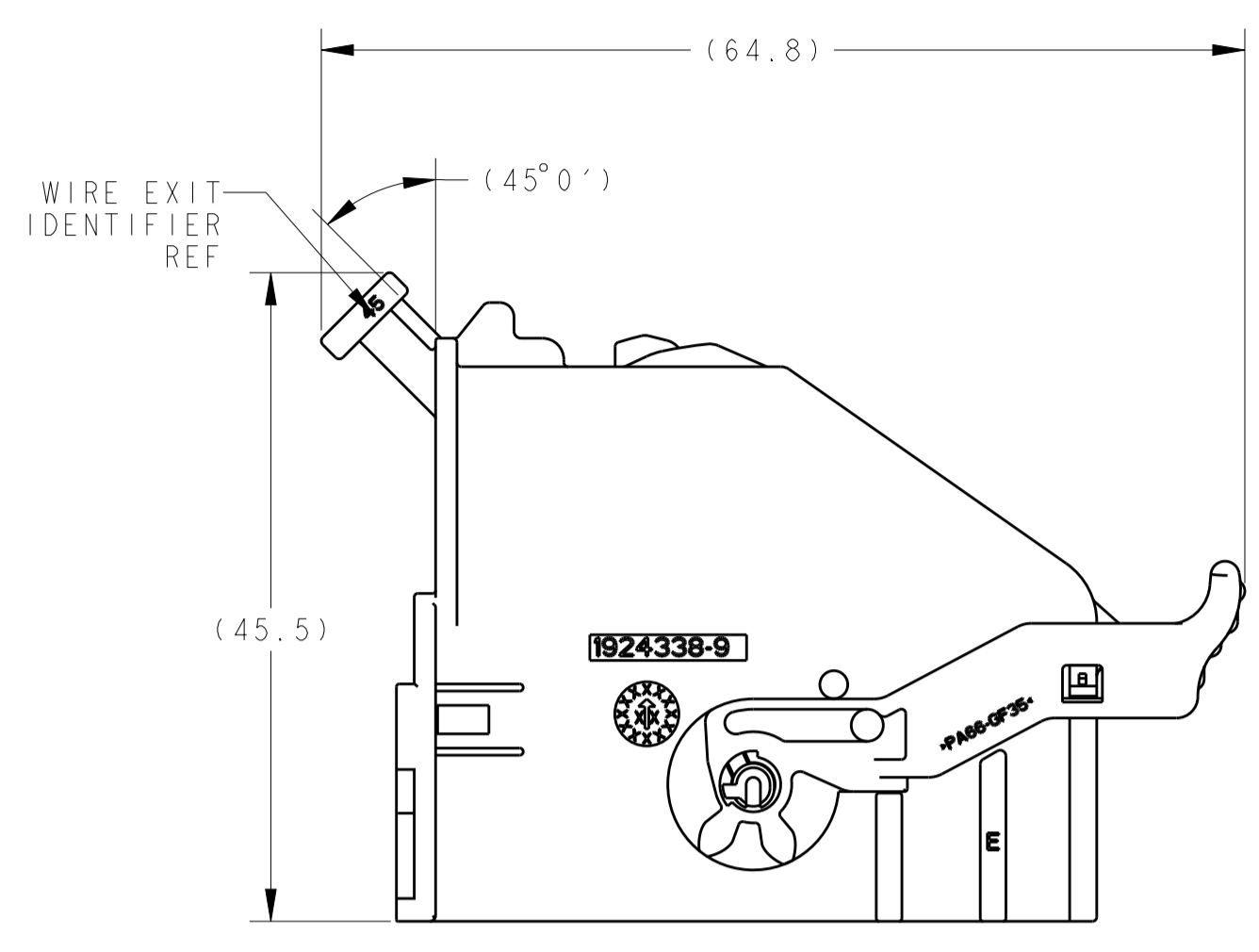
REVISIONS				
P.	LTN.	DESCRIPTION	DATE	OWN. / APVD.
-	-	SEE SHEET 1	-	-



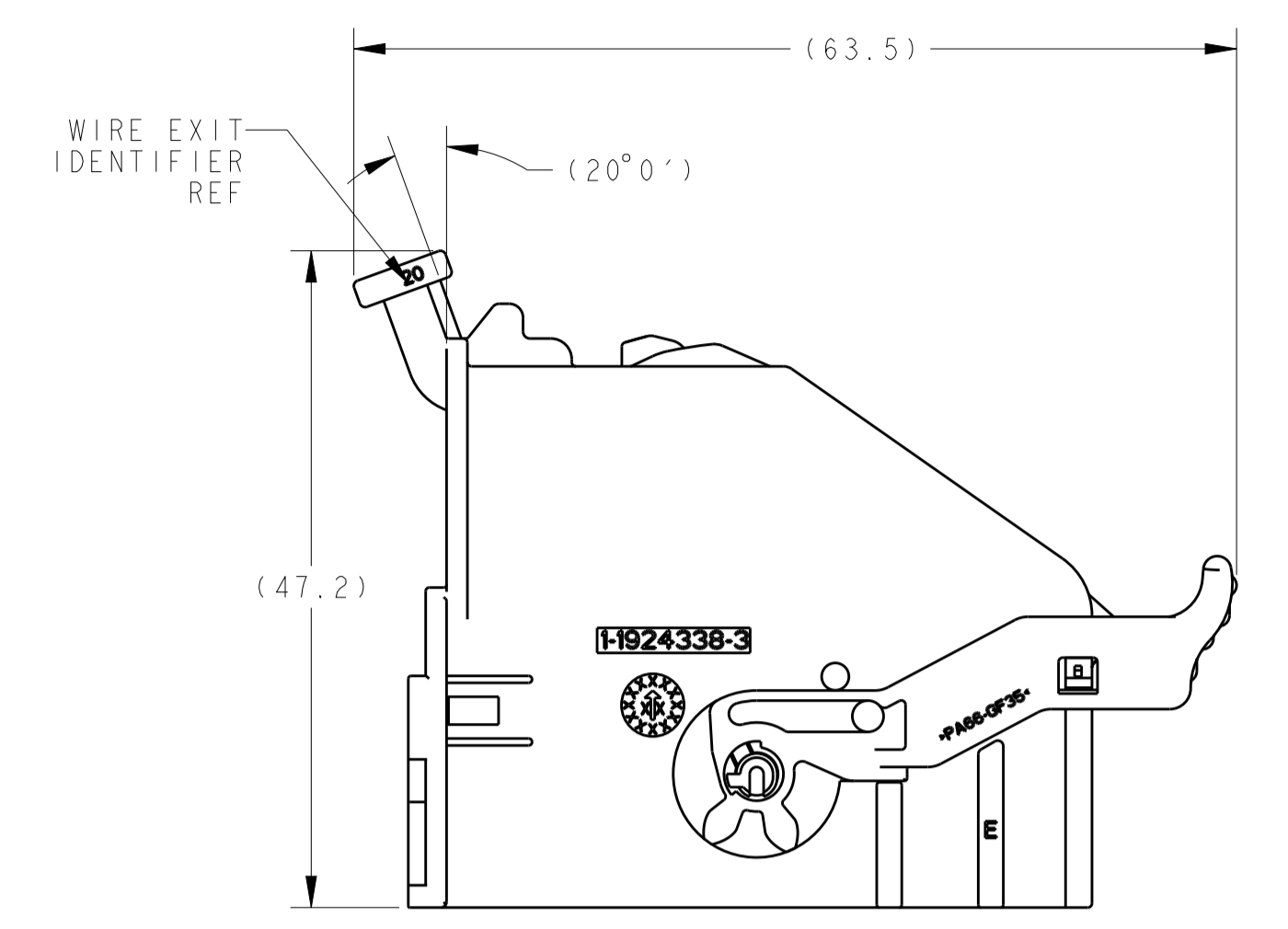
DETAIL W
SCALE 2:1



DETAIL X
SCALE 2:1

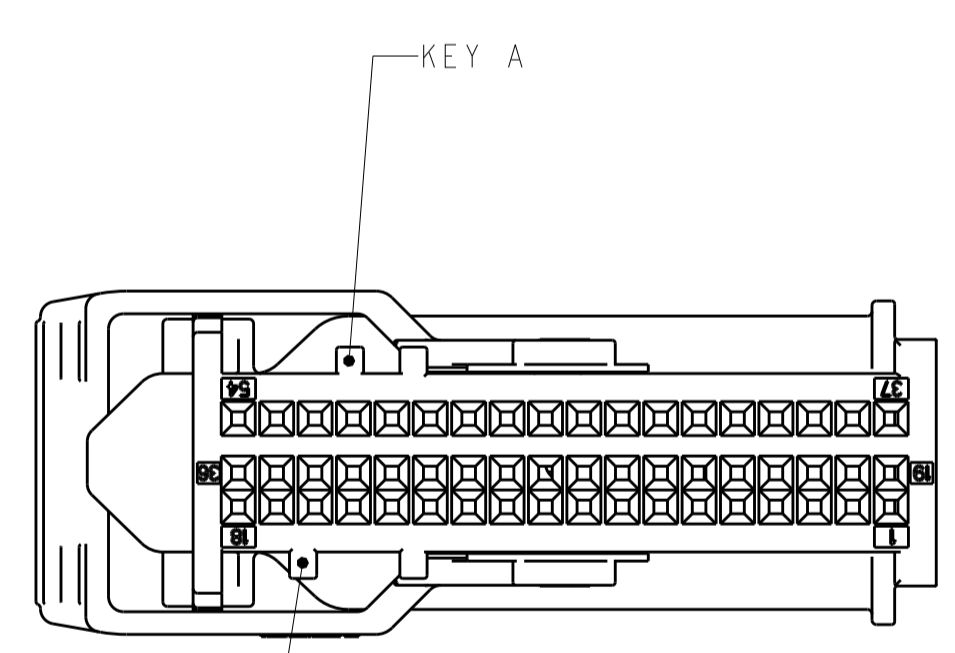


DETAIL Y
SCALE 2:1

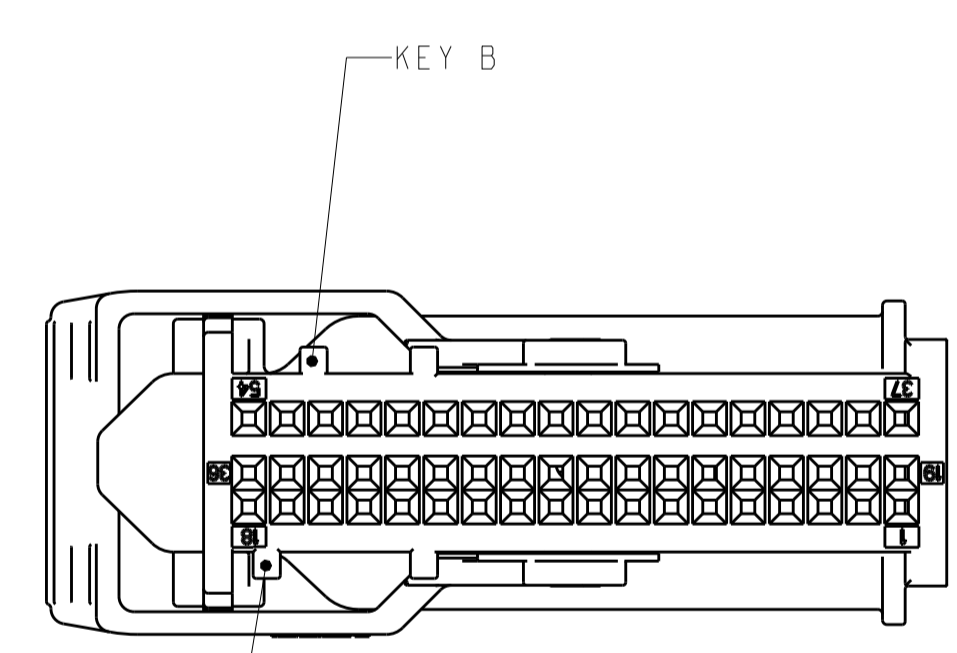


DETAIL Z
SCALE 2:1

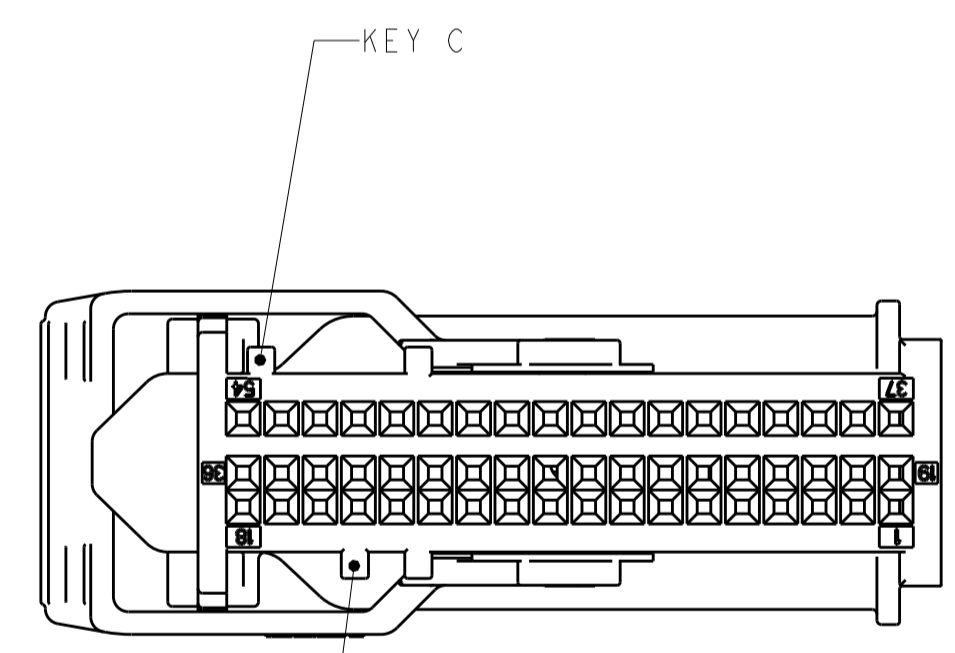
WIRE EXIT OPTIONS
FOR REFERENCE ONLY



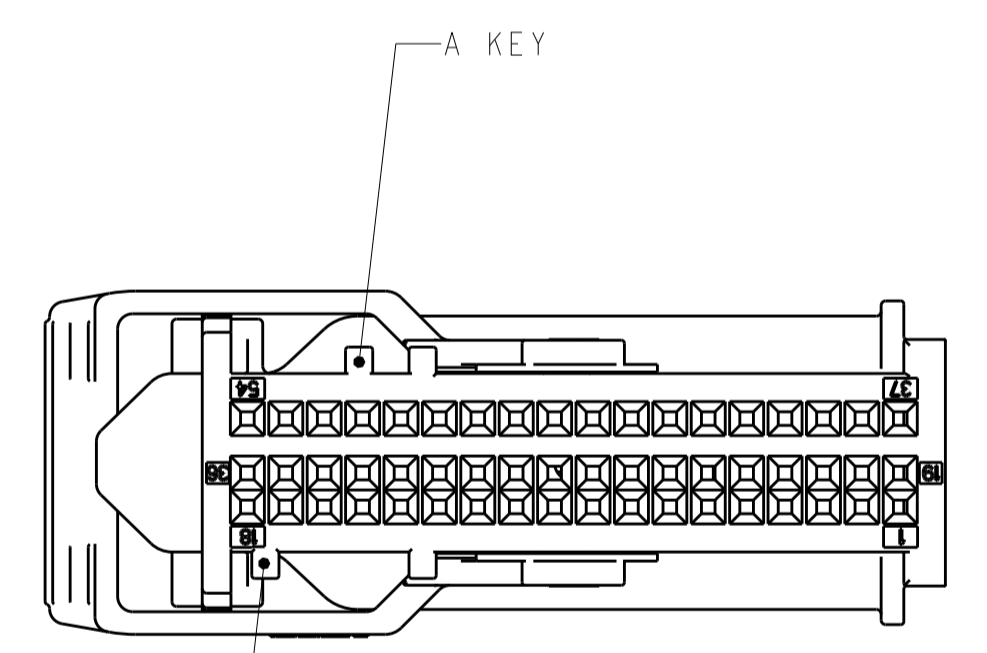
DETAIL AE
SCALE 2:1



DETAIL BF
SCALE 2:1



DETAIL CD
SCALE 2:1



DETAIL AF
SCALE 2:1

KEYING OPTIONS
FOR REFERENCE ONLY

THIS DRAWING IS A CONTROLLED DOCUMENT.		OWN. R. FOLTZ 15FEB2007	TE Connectivity
DIMENSIONS: mm		CHK. G. MARTIN 16FEB2007	
TOLERANCES UNLESS OTHERWISE SPECIFIED:		APVD. G. MARTIN 16FEB2007	NAME: SHIELD ASSEMBLY, 54 POSITION, 0.64mm GENERATION Y, CONNECTOR
0 PLC ±	1 PLC ±0.1	PRODUCT SPEC	SIZE: A100779
2 PLC ±0.05	3 PLC ±	APPLICATION SPEC	CAGE CODE: C=1924337
4 PLC ±	ANGLES ±1°	FINISH	RESTRICTED TO
MATERIAL	FINISH	WEIGHT	SCALE: 1:1 SHEET 2 OF 2 REV A3
CUSTOMER DRAWING			

单击下面可查看定价，库存，交付和生命周期等信息

[>>TE Connectivity\(泰科\)](#)