

THIS DRAWING IS UNPUBLISHED. RELEASED FOR PUBLICATION
 © COPYRIGHT - By - ALL RIGHTS RESERVED.

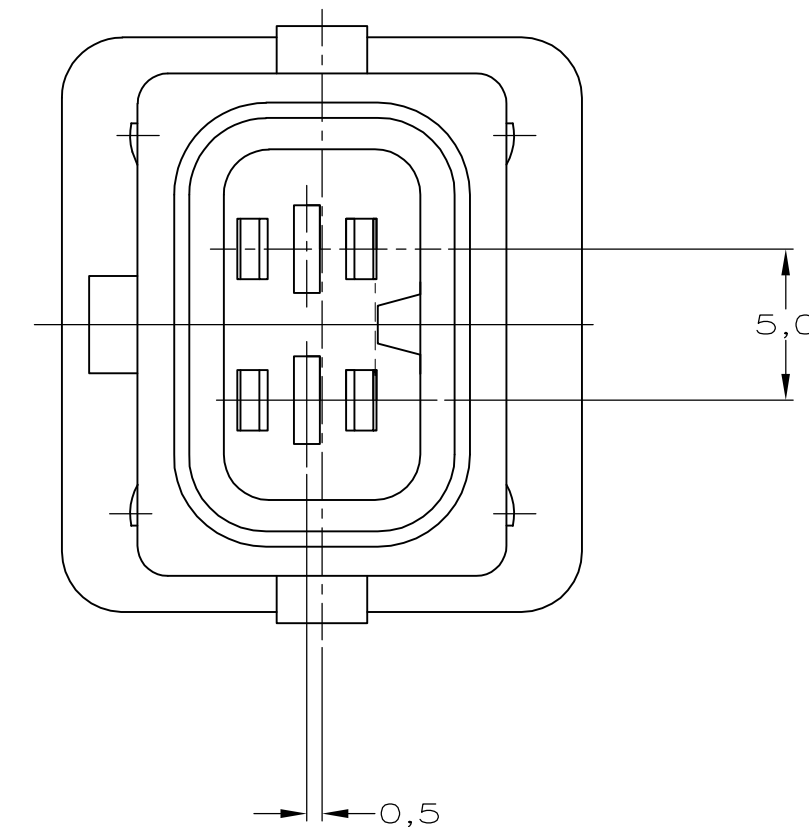
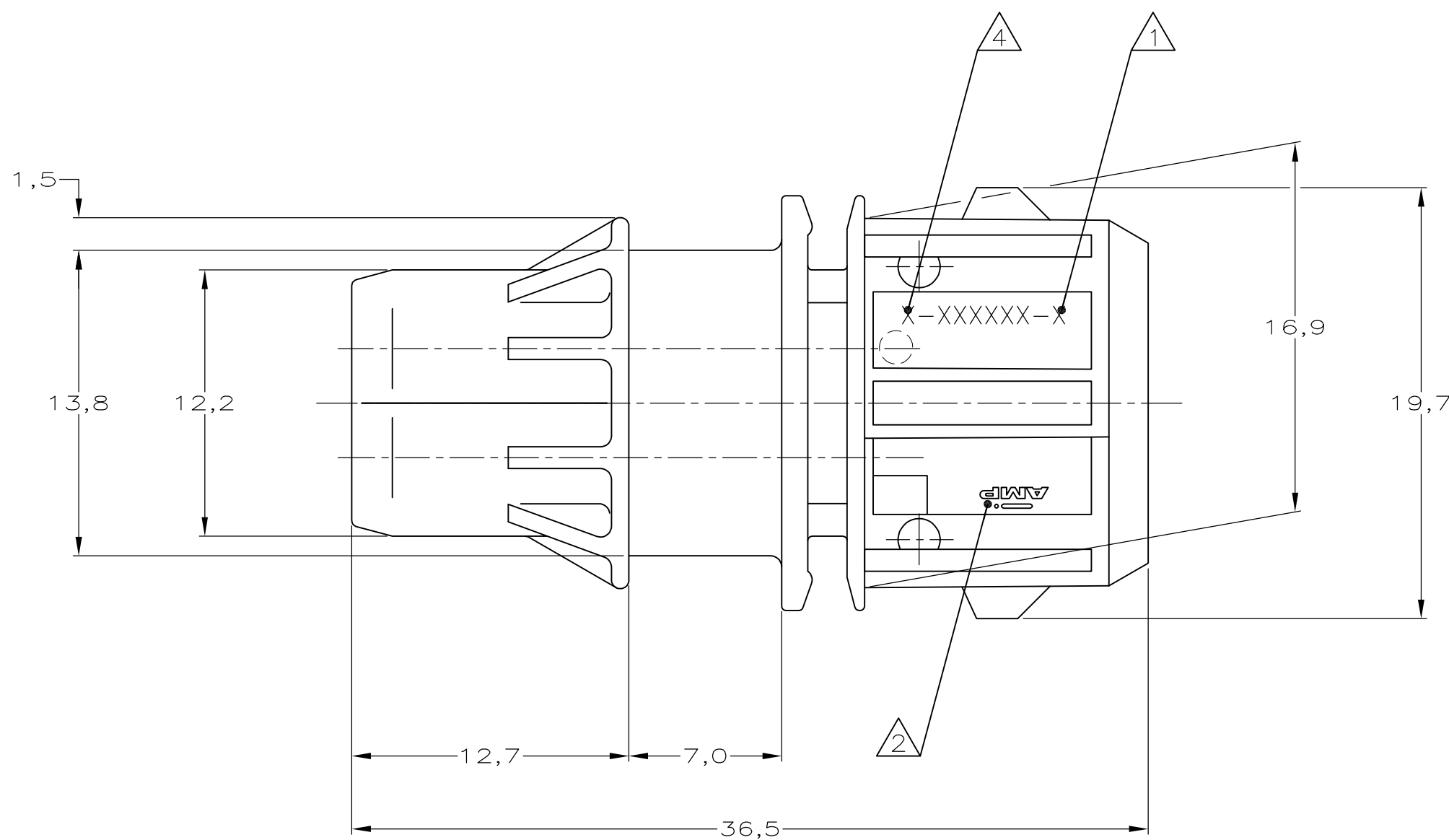
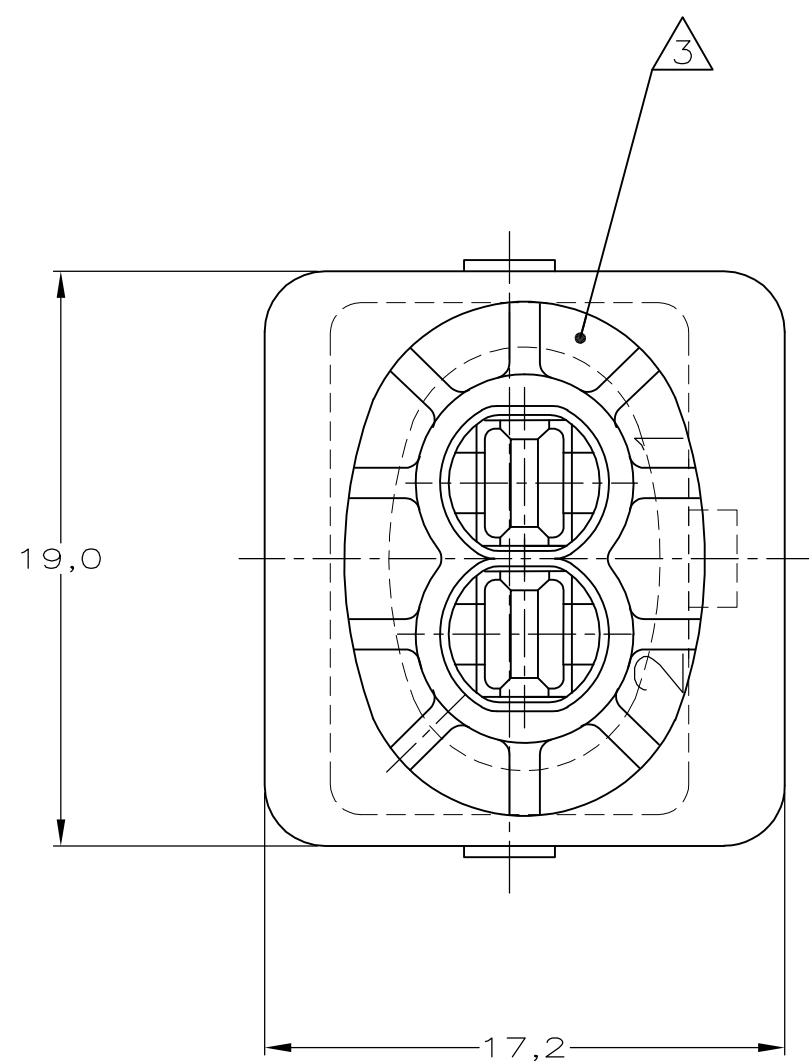
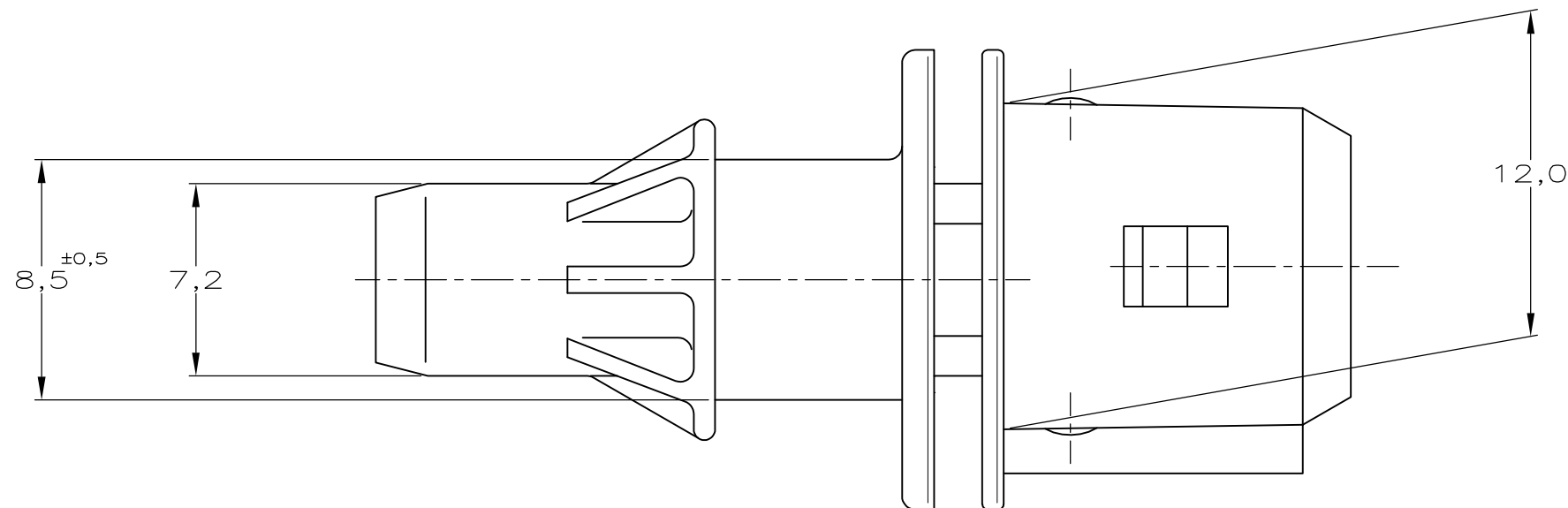
METRIC

LOC - DIST -

P		LTR	DESCRIPTION	DATE	DWN	APVD
E1			REVISED PER ECO-11-005150	19MAR11	RK	HMR
E2			ECR-13-018496	02DEC2013	VK	BB

NOTES:

- ▲ PARTNUMBER IDENTIFICATION.
- ▲ AMP TRADE MARK.
- ▲ CAVITY IDENTIFICATION.
- ▲ POCKET IDENTIFICATION.
- 5 FITS TO HOUSING JR TIMER 282189-1 AND 827551-1.



THIS DRAWING IS A CONTROLLED DOCUMENT.

DIMENSIONS:	TOLERANCES UNLESS OTHERWISE SPECIFIED:
mm	± 0.5 mm
0 PLC	± -
1 PLC	± -
2 PLC	± -
3 PLC	± -
4 PLC	± -
ANGLES	± -
MATERIAL	FINISH
-	-

DWN	-
CHK	D.KESSLER 5 SEP 00
APVD	M. v DRIEL 5 SEP 00
PRODUCT SPEC	M. v DRIEL
APPLICATION SPEC	-
WEIGHT	-
CUSTOMER DRAWING	-

BLACK FINISH	PBT MATERIAL	106462-1 PARTNUMBER
TE TE Connectivity		
2 POS. 2.8mm TAB HOUSING		
SIZE	CAGE CODE	DRAWING NO
A2	00779	C=106462
RESTRICTED TO	SCALE	SHEET
-	-	1 of 1
REV	E2	

单击下面可查看定价，库存，交付和生命周期等信息

[>>TE Connectivity\(泰科\)](#)