

4

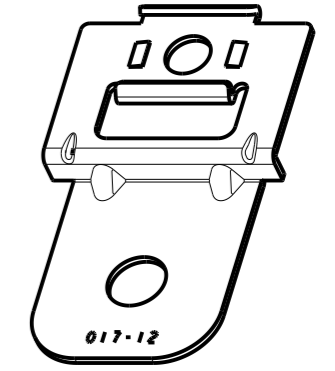
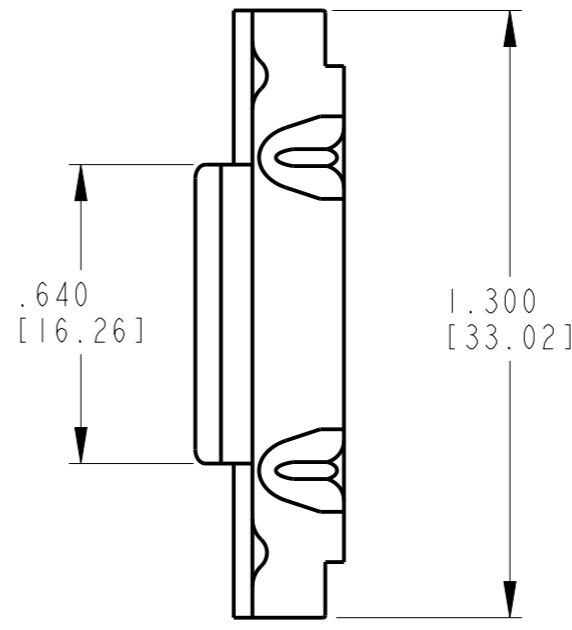
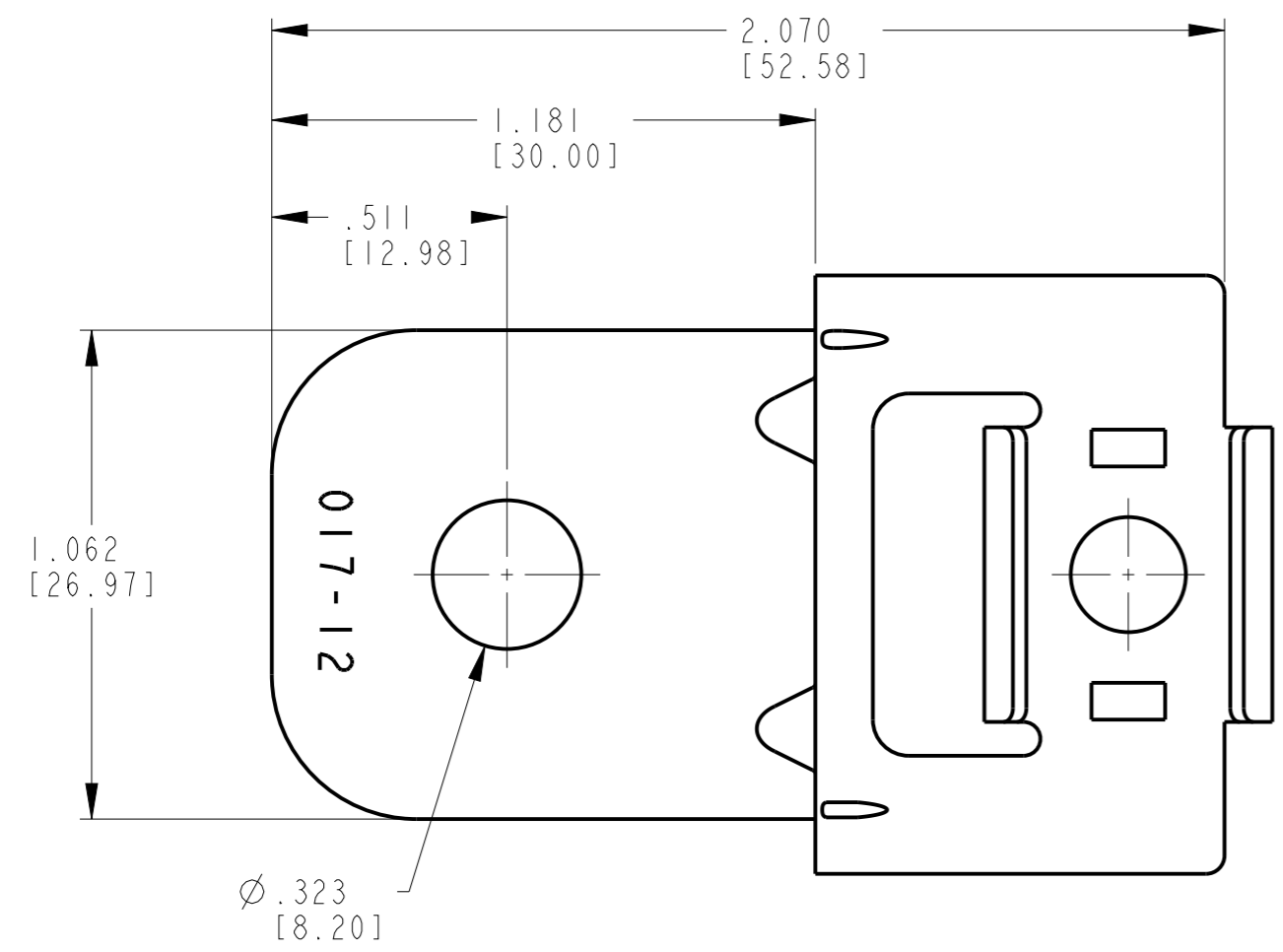
3

2

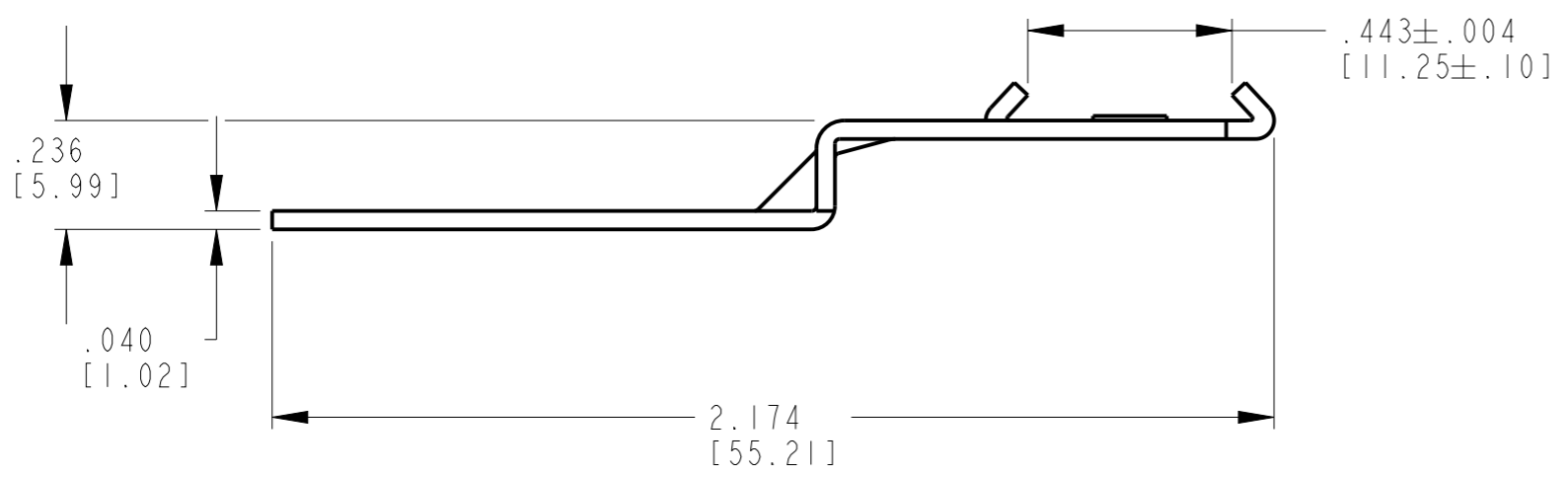
1

THIS DRAWING IS UNPUBLISHED
 RELEASED FOR PUBLICATION 2015
 © COPYRIGHT 2013 BY TE CONNECTIVITY ALL RIGHTS RESERVED.

LOC	DIST	REVISIONS			
P	LTR	DESCRIPTION	DATE	DWN	APVD
	A1	REVISED PER ECO-15-006257	23APR2015	JA	DM
	A2	REVISED PER ECO-16-001711	23DEC2015	DH	DM
	A3	REVISED PER PCN :E-19-003807	11MAR2019	DD	DM
	A4	REVISED PER PCN E-21-001566	11FEB2021	MK	IG



3D VIEW



3. PART IS IN ACCORDANCE WITH RoHS STANDARDS.
2. CLIP RETENTION FORCE SHALL BE 20 LBF [89] MINIMUM.
1. THIS PART MATES WITH DT, DTM, DTP, DTHD, DTCE RECEPTACLES OR OTHER PARTS WITH THE CLIP RETENTION FEATURE.

NOTES: UNLESS OTHERWISE SPECIFIED

THIS DRAWING IS A CONTROLLED DOCUMENT.		DWN JAIME C. APOSTOL 26APR2013	TE Connectivity	
DIMENSIONS: INCHES [mm]		CHK ROBERT MILLIGAN 26APR2013		
TOLERANCES UNLESS OTHERWISE SPECIFIED:		APVD ROBERT MILLIGAN 26APR2013	NAME METAL CLIP, 8.2MM HOLE SIDE MOUNTING BRACKET	
		PRODUCT SPEC -	APPLICATION SPEC 114-151009	
MATERIAL STEEL	FINISH ZINC	WEIGHT 12.6g	SIZE A3	CAGE CODE 4AFU8
		DRAWING NO 1027-017-1200	RESTRICTED TO -	
CUSTOMER DRAWING		SCALE NONE	SHEET 1	OF 1
		REV A4		

单击下面可查看定价，库存，交付和生命周期等信息

[>>TE Connectivity\(泰科\)](#)