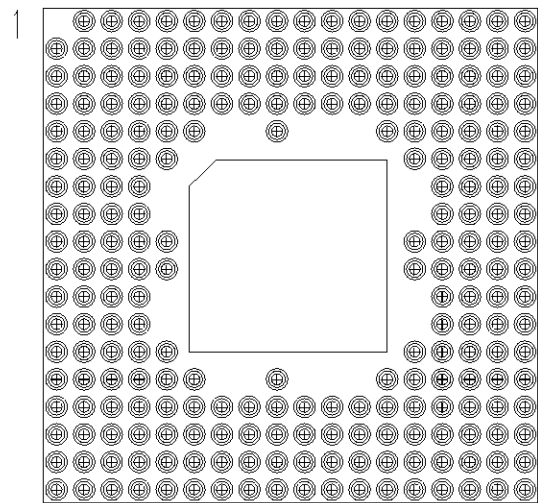
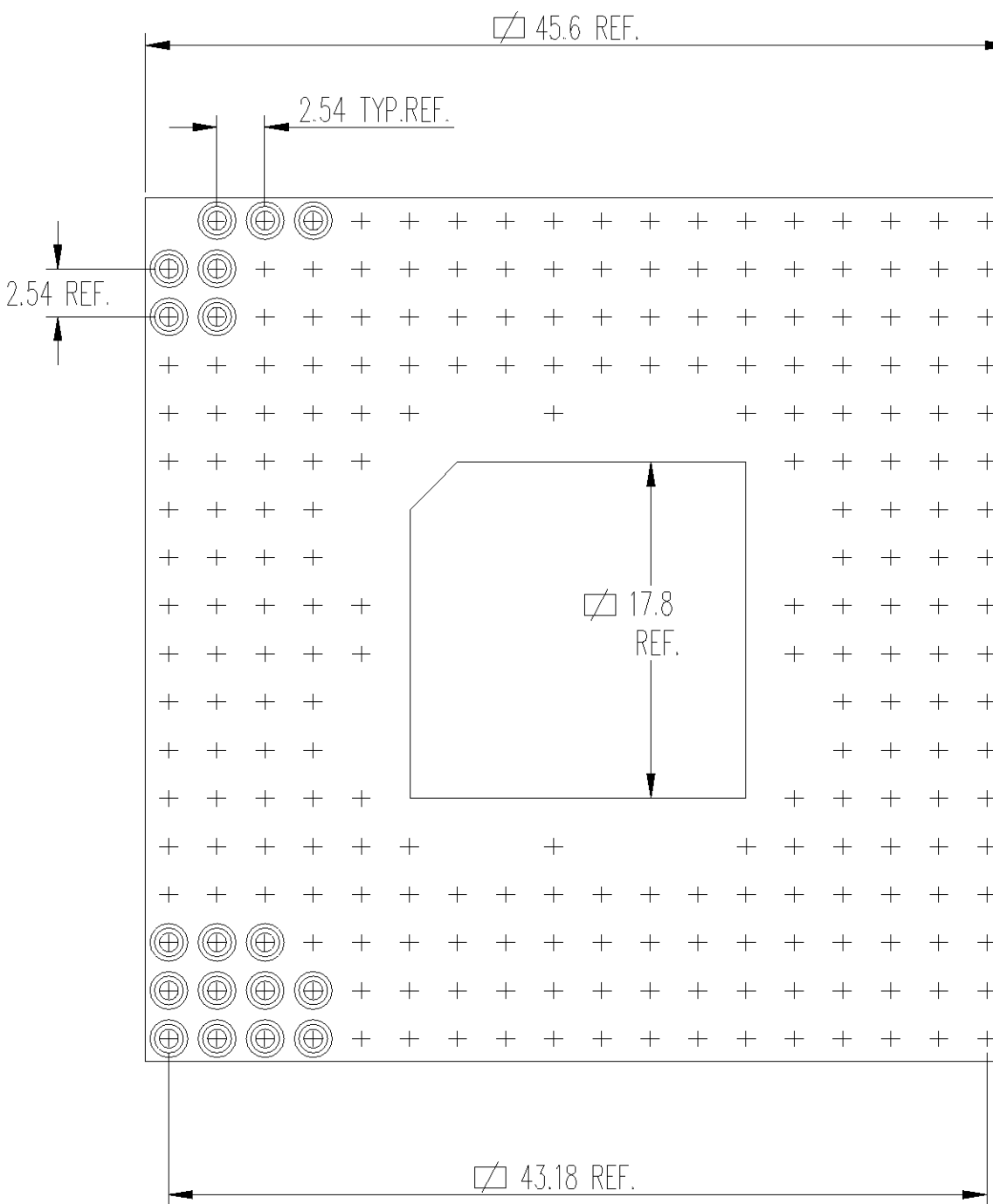
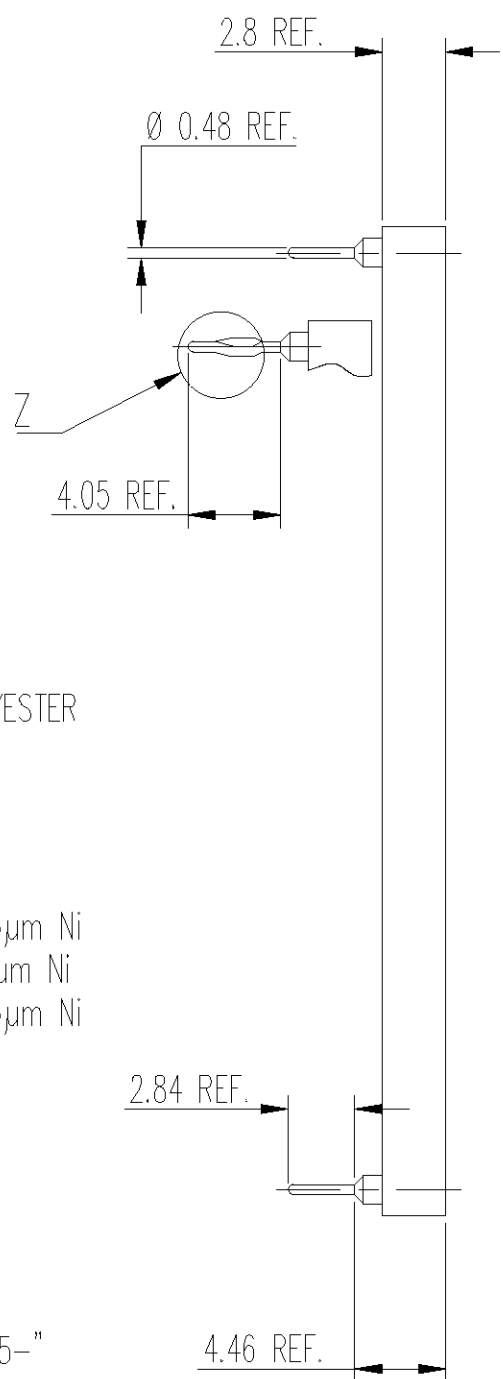


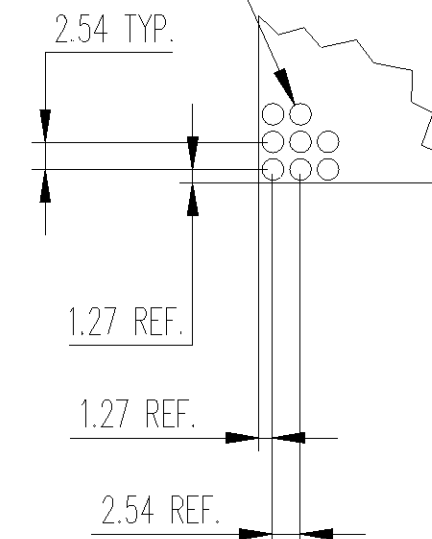
DRAWING NO  
C - 210715



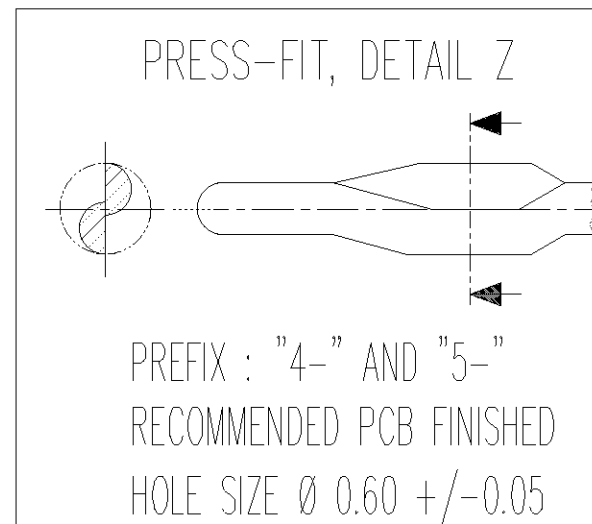
241 positions



Ø 0.8 TYP.  
⊕ Ø 0.10 (M)



RECOMMENDED P.C.  
BOARD PATTERN



NOTE :

1. MATERIAL

- INSULATOR : GLASSFILLED THERMOPLASTIC POLYESTER
- SOLDER TAIL SLEEVE : BRASS
- PRESS-FIT SLEEVE : PHOSPHOR BRONZE
- CLIP : STAMPED BERYLLIUM COPPER

2. SLEEVE PLATING:

- PREFIX "0-" AND "2-": 5µm Sn/Pb OVER 2-3µm Ni
- PREFIX "1-" AND "3-": 0.25µm Au OVER 2-3µm Ni
- PREFIX "4-" AND "5-": 3µm Sn/Pb OVER 2-3µm Ni

3. INNER CONTACT PLATING

- SUFFIX "-1" 0.25µm 18c. Au
- SUFFIX "-3" 0.75µm 18c. Au
- SUFFIX "-4" 0.75µm 24c. Au
- SUFFIX "-5" 5µm MIN. Sn/Pb \*\*
- SUFFIX "-6" 0.1µm FLASH 24c. Au
- SUFFIX "-7" 0.60µm 18c. Au
- \*\* ONLY WITH PREFIX "0-", "2-", "4-" AND "5-"

4. INNER SPRING CONTACT ACCEPT Ø 0.40 TO 0.56  
OR RECTANGULAR PIN 0.25 x 0.45

5. INSERTION CHARACTERISTICS:

- PREFIX "0-", "1-" AND "4-": VERY LOW FORCE
- PREFIX "2-", "3-" AND "5-": ULTRA LOW FORCE

6. MECHANICAL DATA WITH A Ø 0.43 TEST PIN :

- |                                    |      |       |
|------------------------------------|------|-------|
|                                    | VLI  | ULI   |
| -MAX. INSERTION FORCE :            | 0.7N | 0.2N  |
| -MIN. EXTRACTION FORCE :           | 0.1N | 0.05N |
| -MECHANICAL LIFE : 100 CYCLES MIN. |      |       |

WAS 700-241-18-0-CC AND CCAP

DIMENSIONS	mm									DRAWN P.-A. MEIER 22 JUL 98	
										CHECKED A. BOLIS 22 JUL 98	
SURFACE TEXTURE	N7 (✓)									APPROVED	
CONCENTRICITY	0.15										
PRODUCT SPEC.		P	REV	ECN	DRWN	DATE	APVD				
NEW CAD RAWING										CUSTOMER DRAWING FOR REFERENCE ONLY	

THIS INFORMATION IS CONFIDENTIAL AND IS DISCLOSED TO YOU ON CONDITION THAT NO FURTHER DISCLOSURE IS MADE BY YOU TO OTHER THAN AMP PERSONNEL WITHOUT WRITTEN AUTHORIZATION FROM DSM SWITZERLAND.

NAME  
OPEN FRAME PGA  
18 x 18, 241 SOCKETS



DSM DECOLLETAGE SA SAINT-MAURICE  
CH 1890 SAINT-MAURICE (VS)

LOC	SCALE	SIZE	DRAWING NO	SHEET	REVISION
EK	2/1	A4	C - 210715	1 OF 1	0

单击下面可查看定价，库存，交付和生命周期等信息

[>>TE Connectivity\(泰科\)](#)