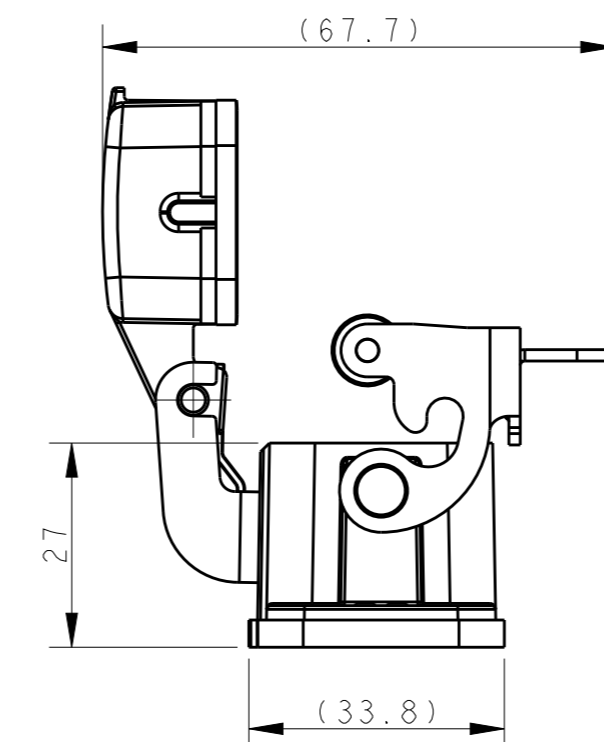
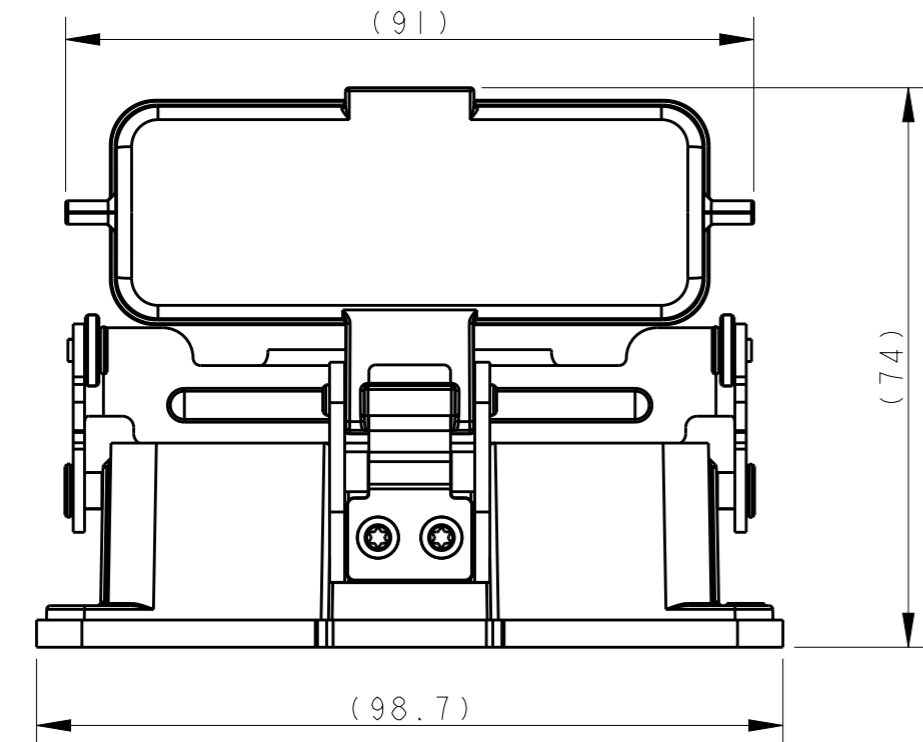
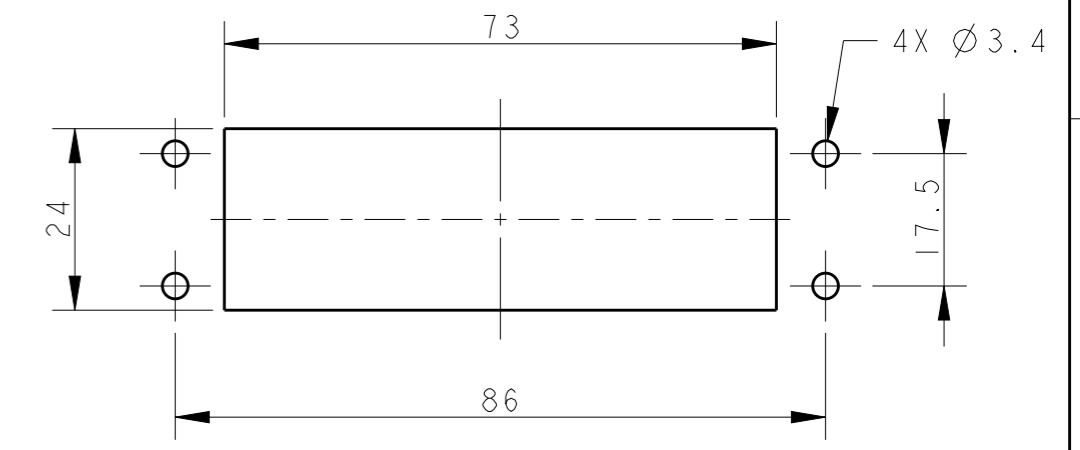
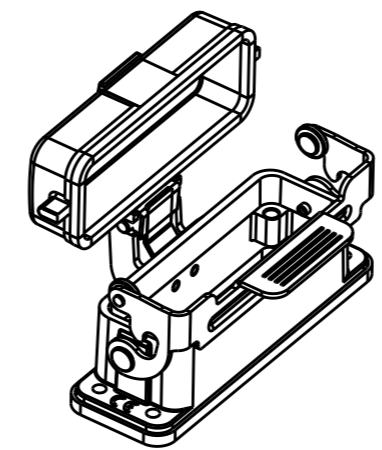
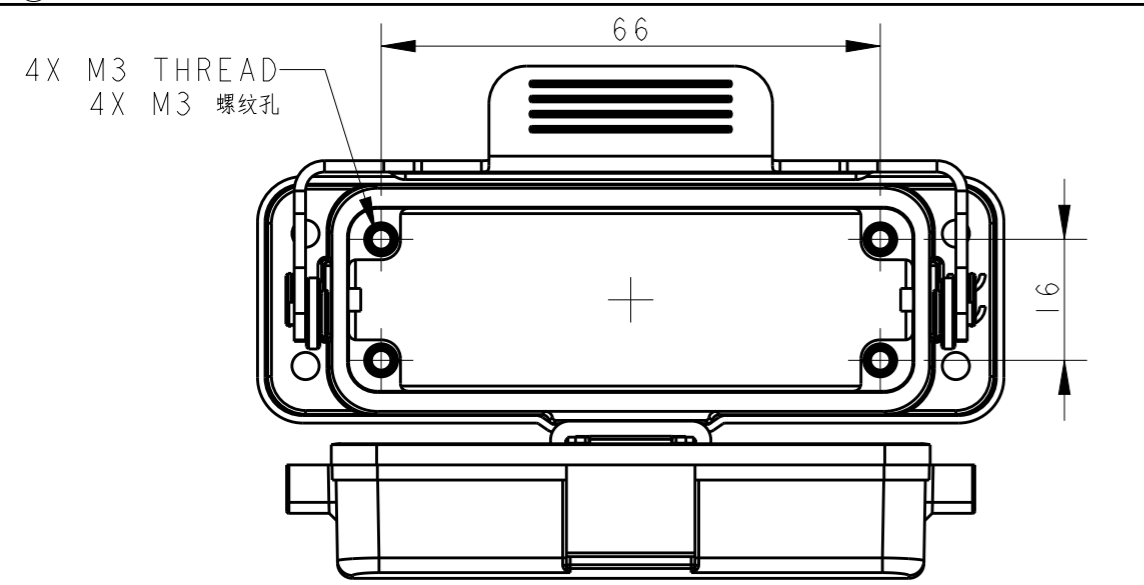


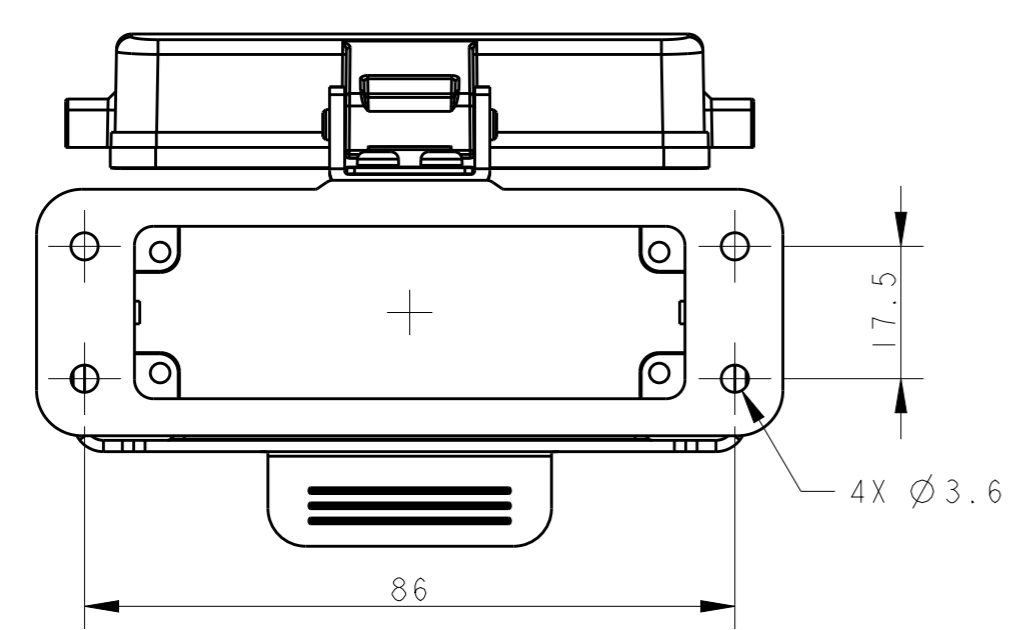
THIS DRAWING IS UNPUBLISHED. RELEASED FOR PUBLICATION 20  
 © COPYRIGHT 20 BY - ALL RIGHTS RESERVED.

REVISIONS					
P	LTR	DESCRIPTION	DATE	DWN	APVD
A		INITIAL RELEASE	05MAY2015	DL	CW
B		ECR-18-012608	13AUG2018	CH	CW
C		ECR-20-009510	28DEC2020	BS	CW




NOTES:  
 1. TECHNICAL CHARACTERISTICS:  
 BODY MATERIAL: DIE CAST ALUMINIUM ALLOY  
 SURFACE TREATMENT: POWDER-COATED, GREY  
 DEGREE OF PROTECTION: IP65 (MATED)

注释:  
 1. 技术参数:  
 主体材料: 铝合金  
 表面处理: 灰色粉末喷涂  
 防护等级: IP65(配合)



T1519162000-000	H16A-ADS	H16A HOUSING, BULKHEAD MOUNTED, STAINLESS STEEL SINGLE LOCKING, PLASTIC PROTECTION COVER POWDER COATED, GREY H16A下壳, 开孔安装, 不锈钢单扣, 带塑料保护盖, 灰色粉末喷涂
PART NUMBER 料号	PART DESCRIPTION 描述	

THIS DRAWING IS A CONTROLLED DOCUMENT.		DWN 05MAY2015 DAVID LI	 TE Connectivity NAME H16A-ADS			
DIMENSIONS: mm		CHK 05MAY2015 CHRIS WANG				
TOLERANCES UNLESS OTHERWISE SPECIFIED:		APVD 05MAY2015 XU XIANG				
0 PLC ±- 1 PLC ±- 2 PLC ±- 3 PLC ±- 4 PLC ±- ANGLES ±-		PRODUCT SPEC 108-137010				
MATERIAL	FINISH	APPLICATION SPEC 114-137010	SIZE A3	CAGE CODE -	DRAWING NO C-T1519162000000	RESTRICTED TO
CUSTOMER DRAWING		WEIGHT -	SCALE 1:1	SHEET 1	OF 1	REV C

单击下面可查看定价，库存，交付和生命周期等信息

[>>TE Connectivity\(泰科\)](#)