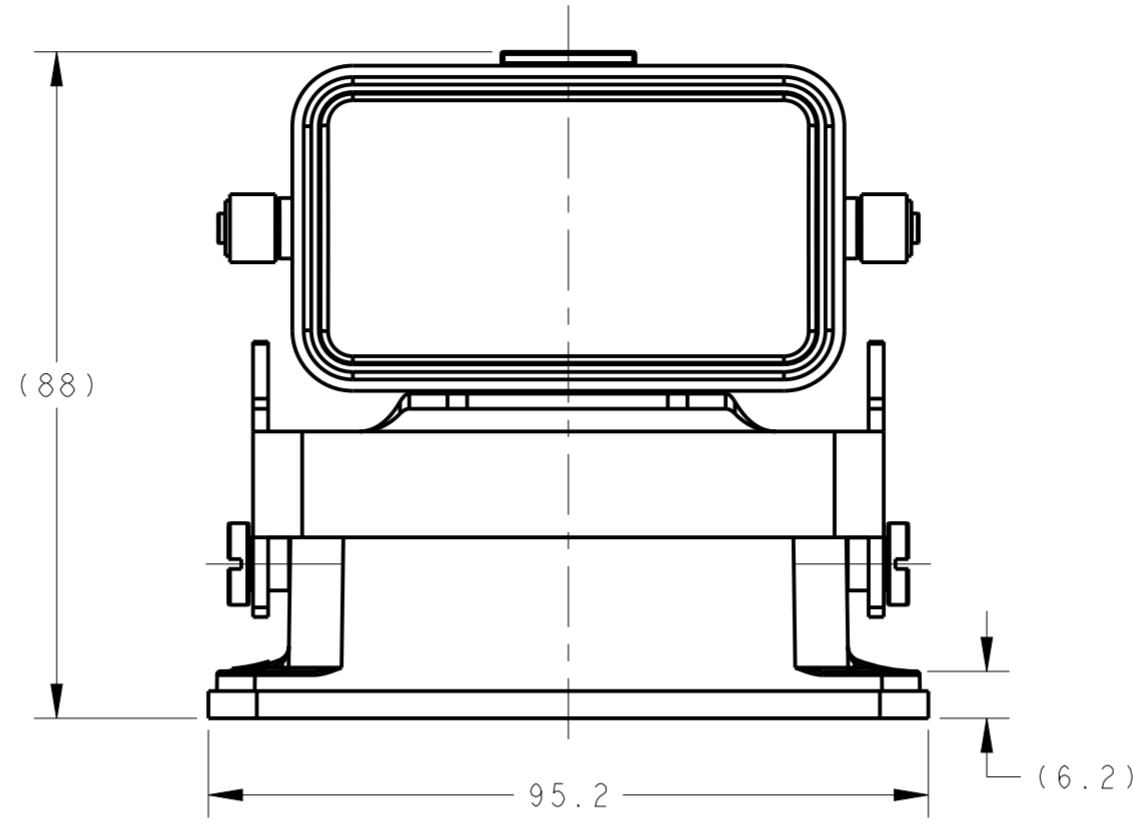
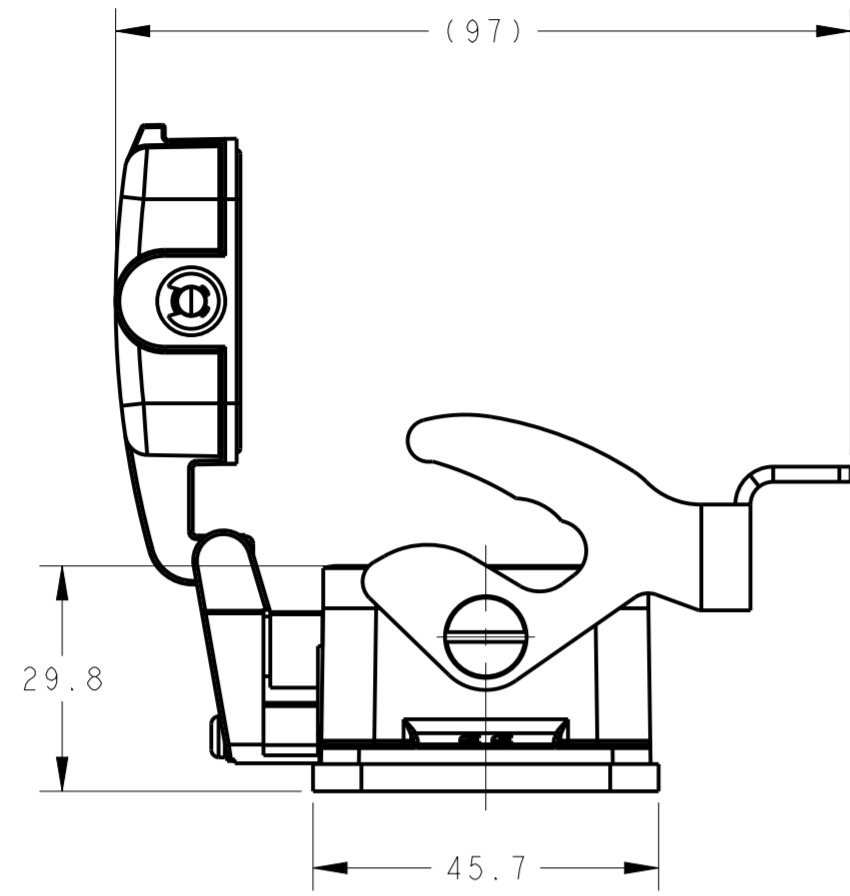


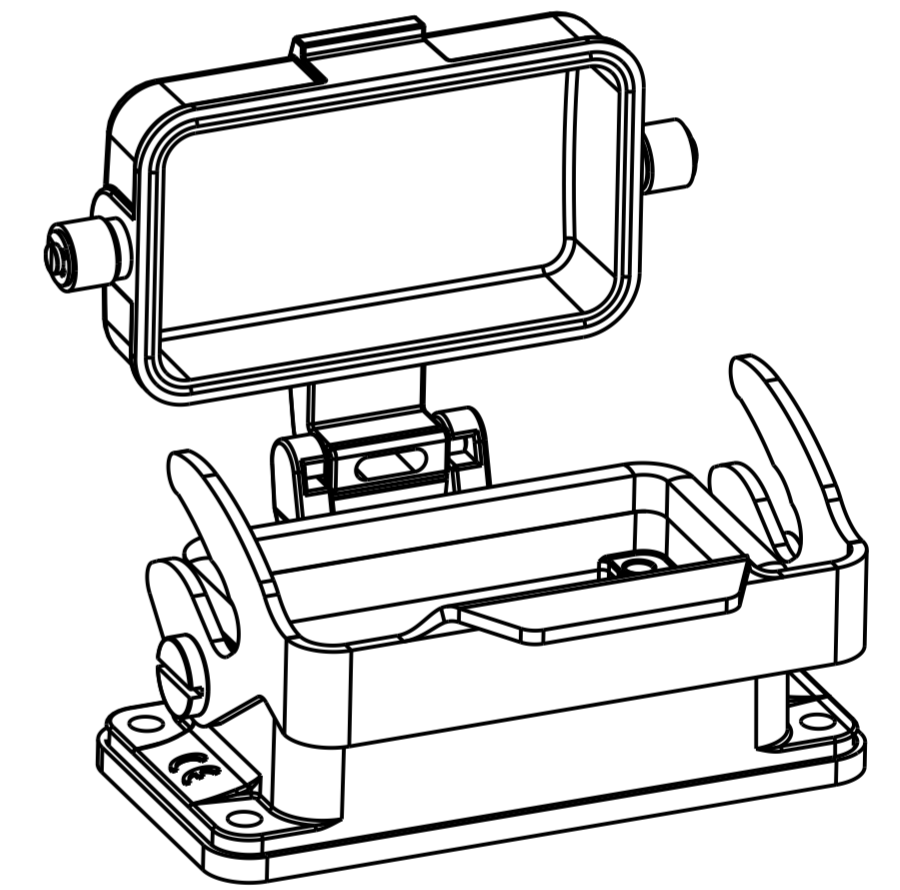
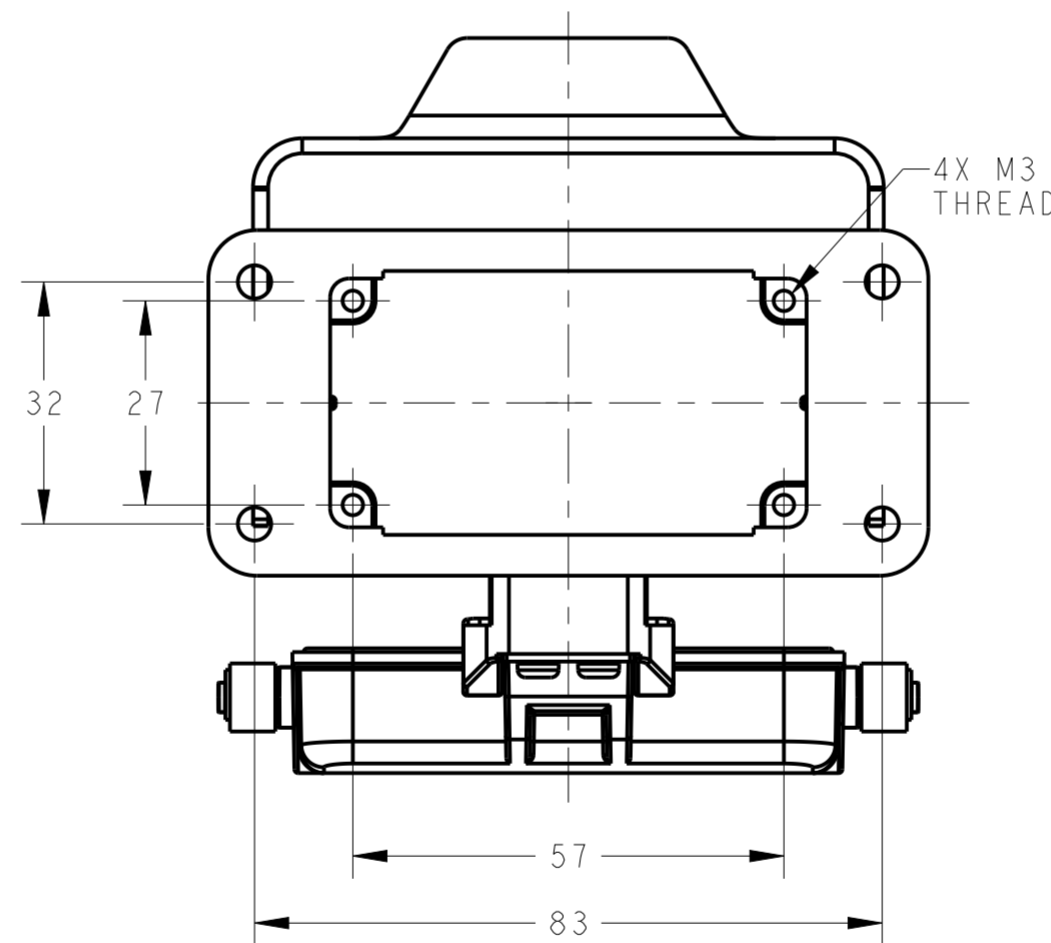
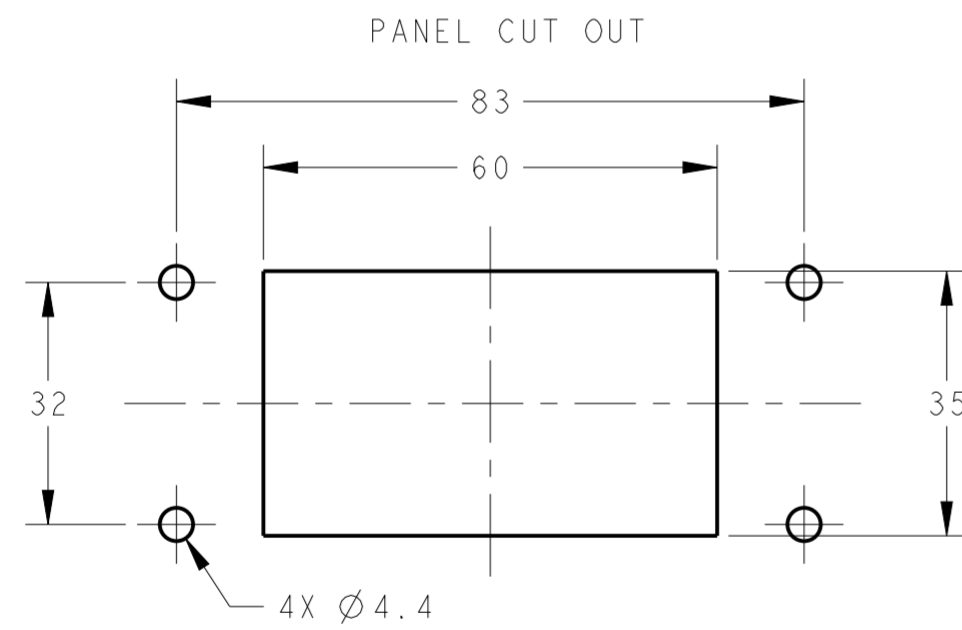
THIS DRAWING IS UNPUBLISHED. RELEASED FOR PUBLICATION 20
 © COPYRIGHT 20 BY - ALL RIGHTS RESERVED.

REVISIONS				
P	LTR	DESCRIPTION	DATE	APVD
A		INITIAL	25JUN2015	DW CW
B		ECR-20-008181	13JUL2020	WOR CW



NOTES:
 1. TECHNICAL CHARACTERISTICS:
 HOUSING MATERIAL: DIE CAST ALUMINIUM ALLOY
 SURFACE: POWDER COATED, GREY
 DEGREE OF PROTECTION: IP65 (MATED)

注释:
 1. 技术参数:
 下壳材料: 铝合金
 表面处理: 粉末涂层, 灰色
 防护等级: IP65 (配合)



T1510103001-000	H10B-ADM-LB	H10B HOUSING,BULKHEAD MOUNTED,METAL SINGLE LOCKING, METAL PROTECTION COVER,POWDER COATED, GREY H10B下壳, 开孔安装, 彩锌单扣, 带金属保护盖, 灰色粉末喷涂
PART NUMBER 料号	PART DESCRIPTION 描述	

THIS DRAWING IS A CONTROLLED DOCUMENT.		DWN 25JUN2015 David Wang	TE Connectivity	
		CHK 25JUN2015 Chris Wang		
DIMENSIONS:		APVD 25JUN2015 Xiang Xu	NAME H10B-ADM-LB	
TOLERANCES UNLESS OTHERWISE SPECIFIED:		PRODUCT SPEC 108-137013	SIZE A200779	
mm		APPLICATION SPEC 114-137013	DRAWING NO C-T1510103001000	
0 PLC ±		WEIGHT	RESTRICTED TO	
1 PLC ±		Customer Drawing	SCALE 1:1 SHEET 1 OF 1 REV B	
2 PLC ±				
3 PLC ±				
4 PLC ±				
ANGLES ±				
FINISH				

单击下面可查看定价，库存，交付和生命周期等信息

[>>TE Connectivity\(泰科\)](#)