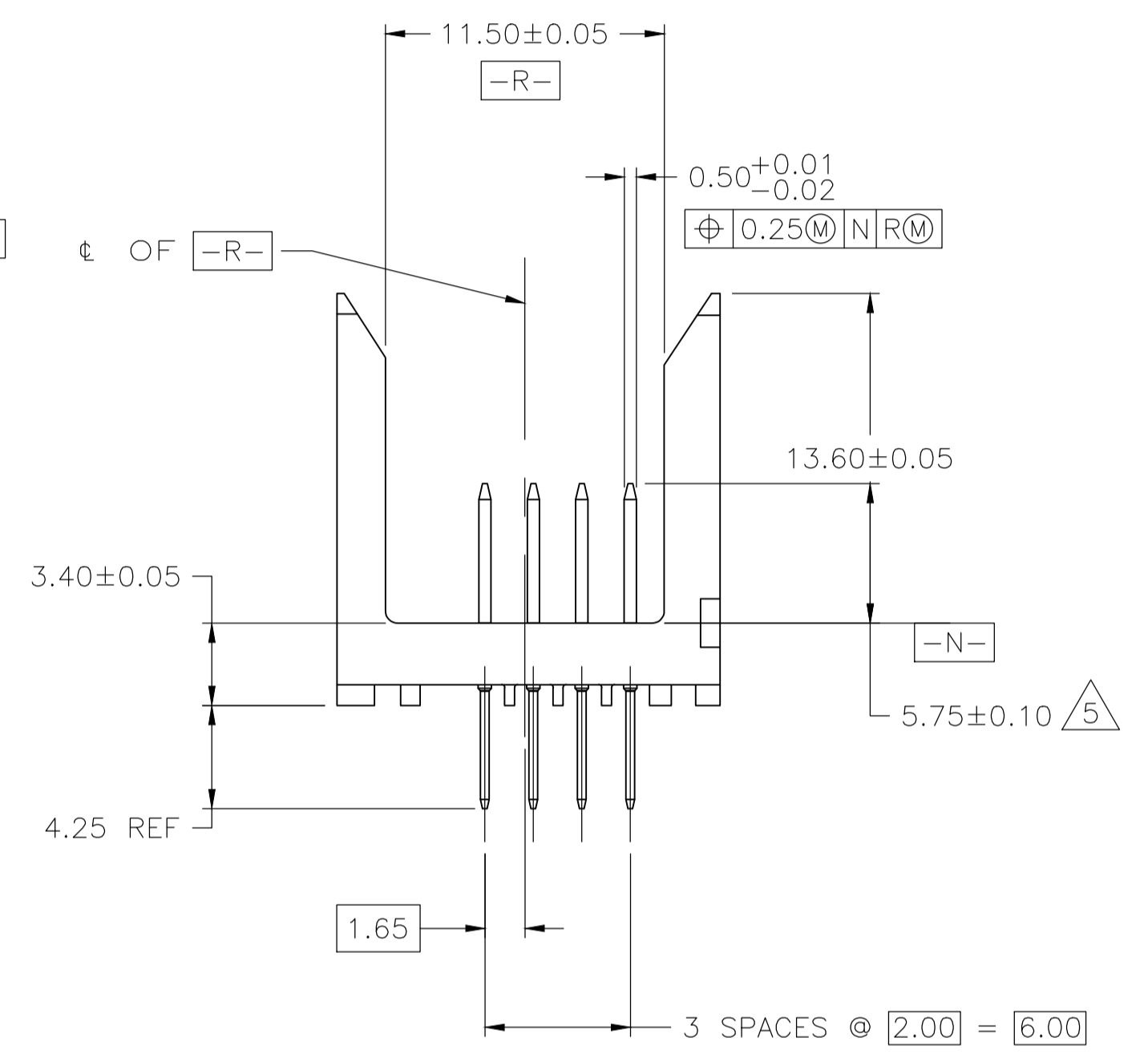
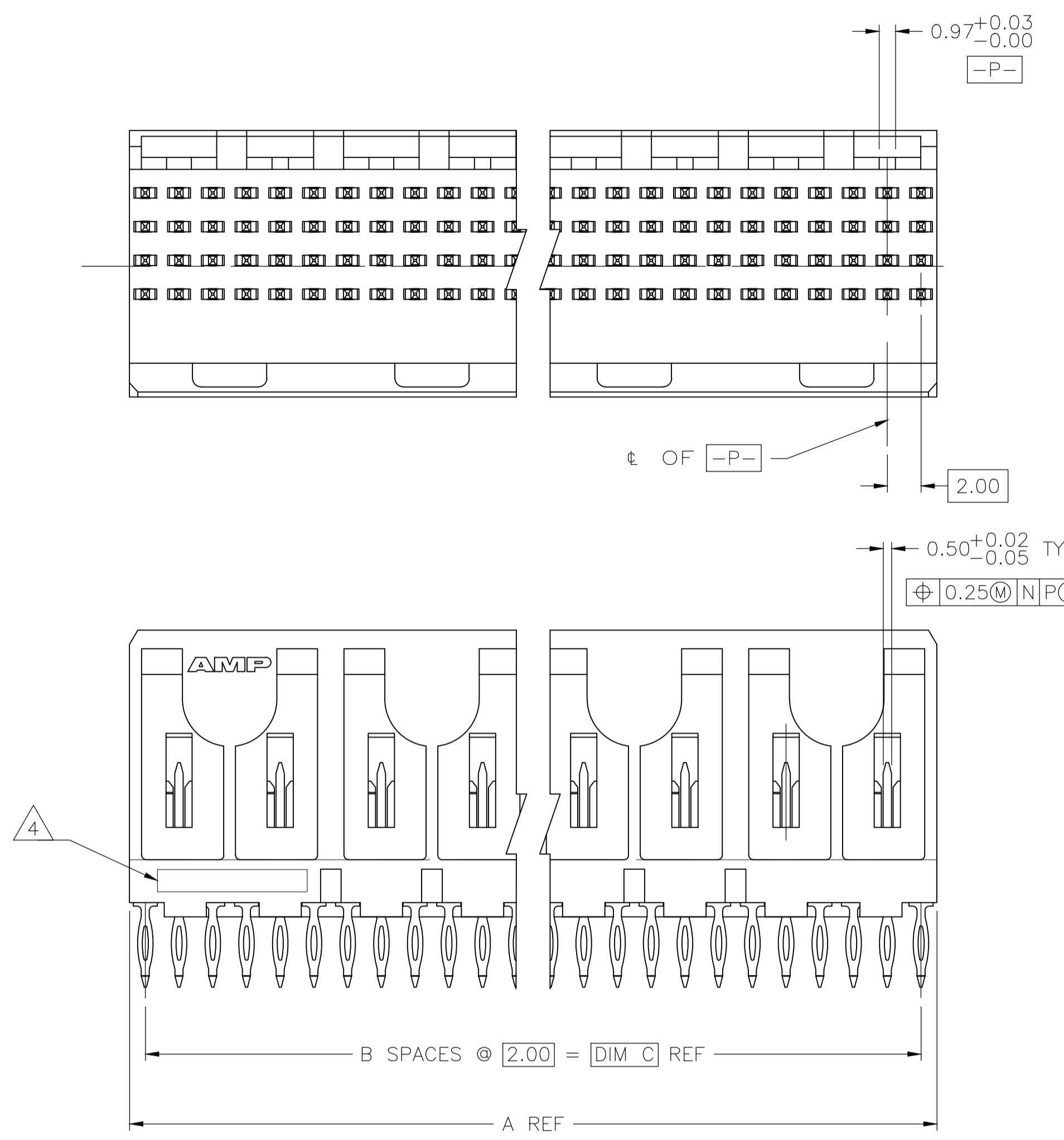
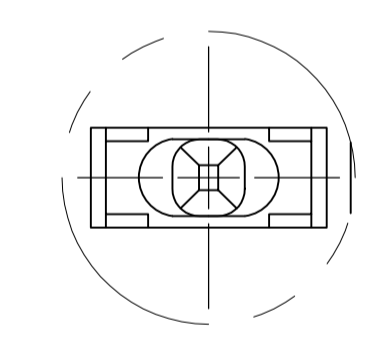
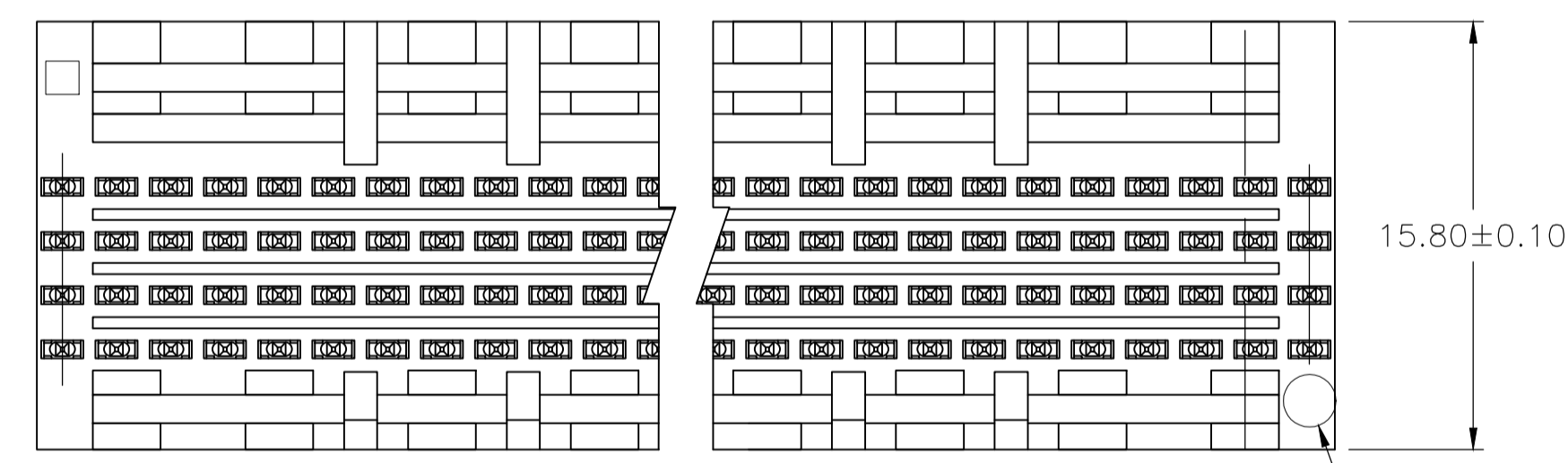


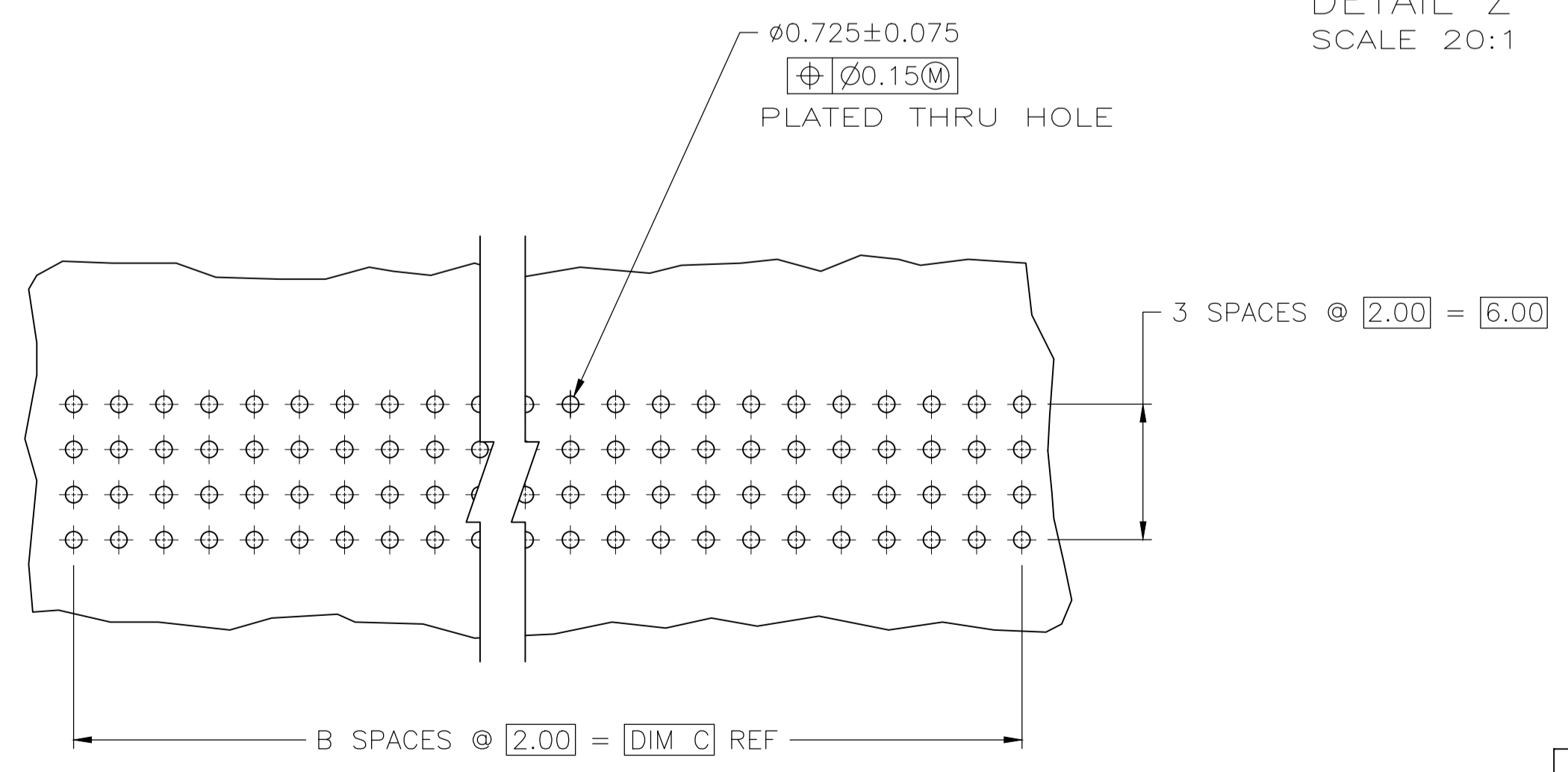
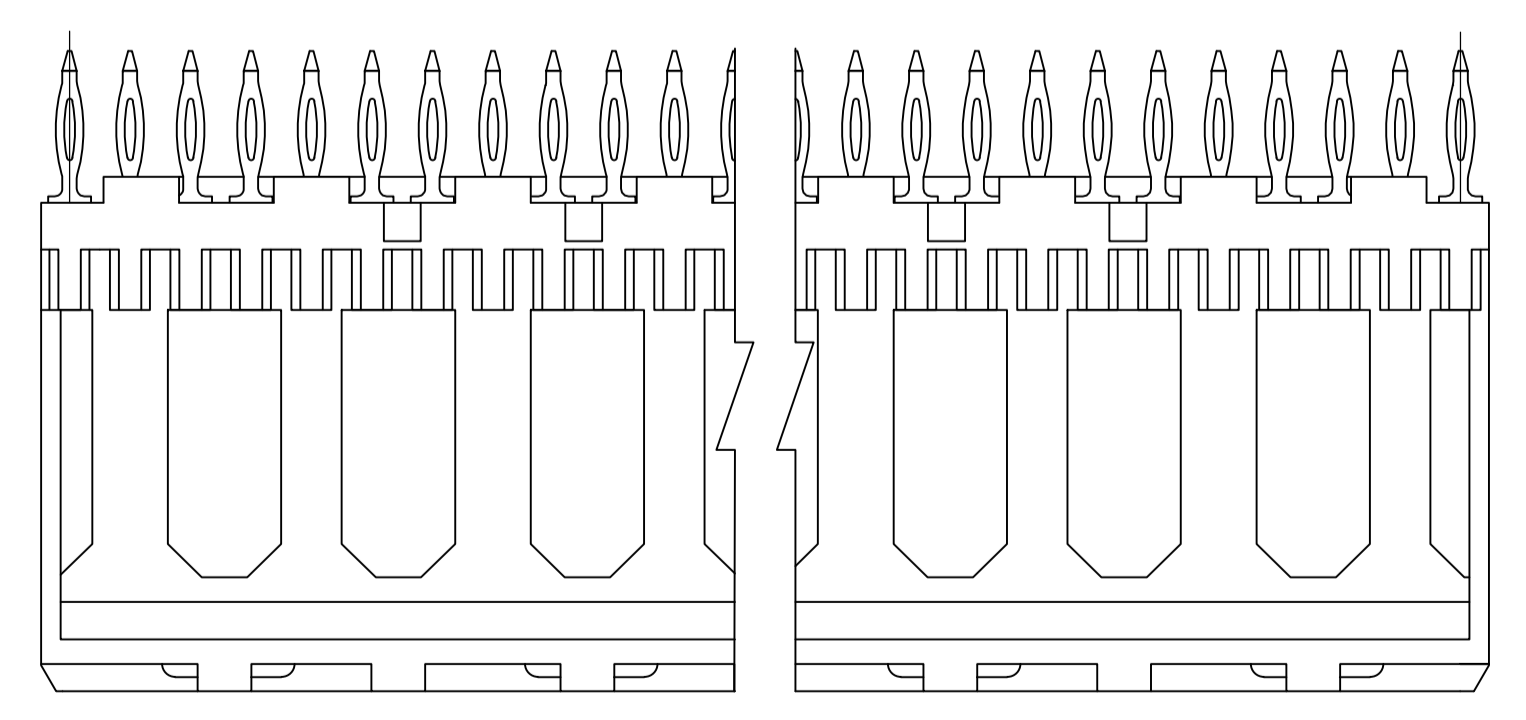
REVISIONS					
P	LTR	DESCRIPTION	DATE	DMN	APVD
C		REVISED PER ECO-20-013368	27SEP2020	RZ	HL



- 1 HOUSING MATERIAL: LIQUID CRYSTAL POLYMER PER ASTM D5138 LCP000 G30A 32250, COLOR: NATURAL.
- 2 CONTACT MATERIAL: PHOSPHOR BRONZE.
- 3 CONTACT FINISH:  
UNDERPLATE (ENTIRE CONTACT):  
0.00127 MIN NICKEL PER SAE-AMS-QQ-N-290.  
ON MATING SURFACES:  
CONFORMS TO ALL TESTING SPECIFIED FOR TELCORDIA UNCONTROLLED ENVIRONMENT.  
ON LEADS  
0.0006 MIN TIN PER ASTM B 545 OVER UNDERPLATE.  
LUBRICATION (MIN MATING SURFACES):  
SURFACE CONDITIONER AFTER PLATING.
- 4 PART MARKING, LOCATED APPROXIMATELY AS SHOWN.
- 5 DIMENSION APPLIES WHEN SEATED ON PRINTED CIRCUIT BOARD.
- 6 OBSOLETE PARTS: OBSOLETE CIS STREAMLINING PER D.RENAUD/D.SINISI



DETAIL Z  
SCALE 20:1



RECOMMENDED CIRCUIT PATTERN  
PER IPC-D300 TYPE II, CLASS C  
(COMPONENT SIDE)

OBSOLETE	10	5	11.88	△	24	-5536524-9
	-	-	-	-	-	-
OBSOLETE	58	29	59.88	△	120	-5536524-6-
	-	-	-	-	-	-
	94	47	95.88	△	192	5536524-4
△ OBSOLETE	46	23	47.88	△	96	-5536524-3-
	22	11	23.88	△	48	5536524-2
	118	59	119.88	△	240	5536524-1
	C	B	A	FINISH	NO OF POSN	PART NUMBER

THIS DRAWING IS A CONTROLLED DOCUMENT.

DIMENSIONS: INCHES	TOLERANCES UNLESS OTHERWISE SPECIFIED:	0 PLC ± -	1 PLC ± -	2 PLC ± 0.13	3 PLC ± -	4 PLC ± -	ANGLES ± -	FINISH
--------------------	--	-----------	-----------	--------------	-----------	-----------	------------	--------

DIN R MCMMASTER 01SEP04  
 CJK R WERTZ 01SEP04  
 APVD R WERTZ 01SEP04  
 NAME: PIN ASSY SIGNAL MODULE Z-PACK 2mm FB 2mm 4R 5.75mm MATING LENGTH PRESS FIT LEADS  
 APPLICATION SPEC  
 SIZE: A1  
 CAGE CODE: 00779  
 DRAWING NO: 5536524  
 WEIGHT: 0.000000  
 MATERIAL: 1 2 3  
 CUSTOMER DRAWING  
 SCALE: 4:1  
 SHEET: 1 OF 1  
 REV: C

单击下面可查看定价，库存，交付和生命周期等信息

[>>TE Connectivity\(泰科\)](#)