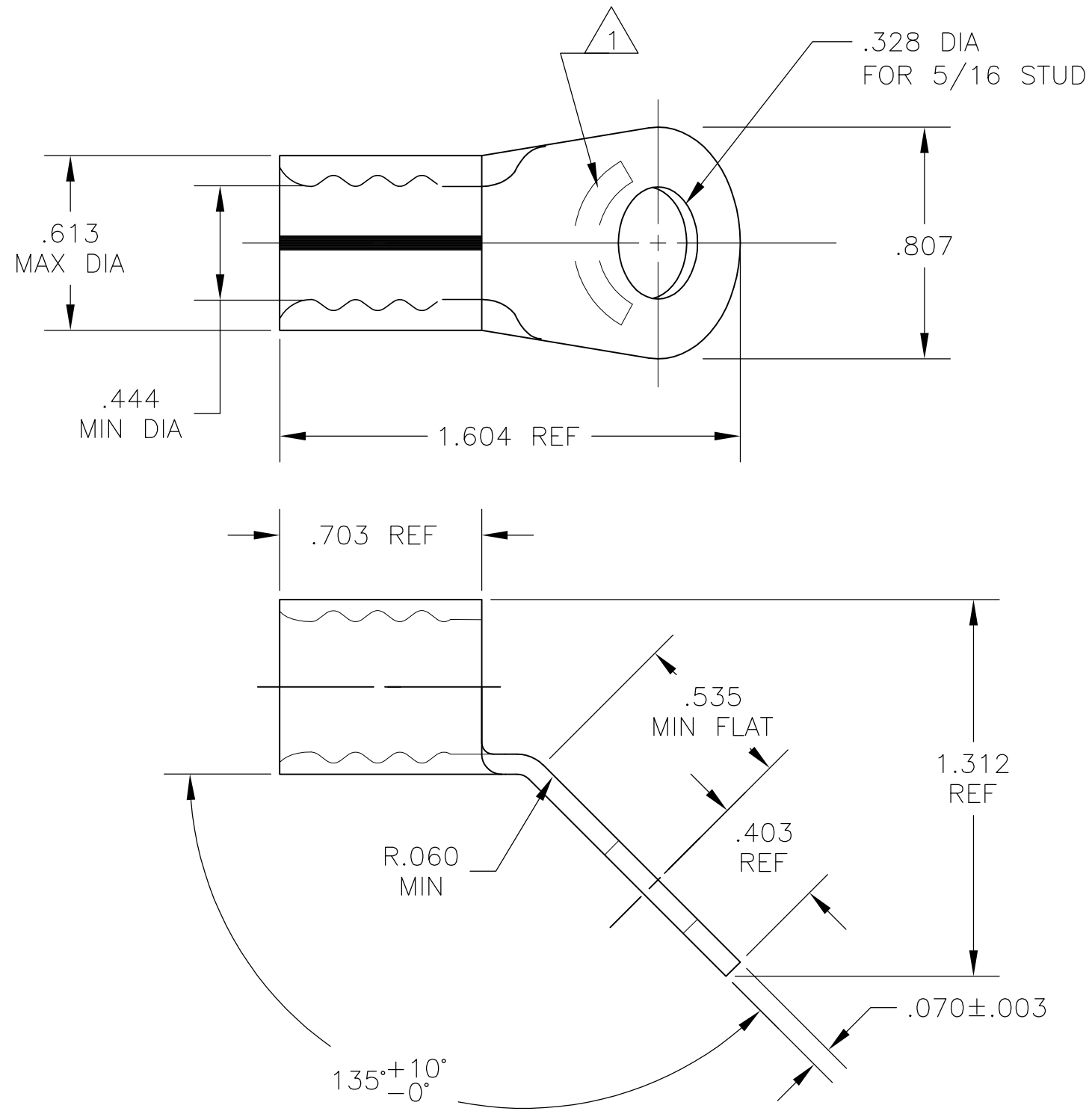


THIS DRAWING IS UNPUBLISHED. RELEASED FOR PUBLICATION
 © COPYRIGHT BY TYCO ELECTRONICS CORPORATION. ALL INTERNATIONAL RIGHTS RESERVED.

LOC	DIST	REVISIONS			
P	LTR	DESCRIPTION	DATE	DWN	APVD
G	05				
	D	CREATED DWG AT THIS REVISION	24SEPT09	JR	TM



AMP
WIRE RANGE

1/0 AWG
STRANDED

- ① STAMP AMP 1/0W* APPROX AS SHOWN
- ② NICKEL PLATE .000300 MIN THK PER SAE-AMS-QQ-N-290.
- ③ MATERIAL, COPPER PER ASTM B-152, ANNEALED.

696735-1
PART NO

CUSTOMER SERVICE SYSTEMS		MAX RECOMMENDED OPERATING TEMPERATURE: 343° C	THIS DRAWING IS A CONTROLLED DOCUMENT.		DWN jr_ruth 24SEPT09	Tyco Electronics Tyco Electronics Corporation Harrisburg, PA 17105-3608	
FOR ADDITIONAL PRODUCT INFORMATION OR COPIES OF DRAWINGS AND TECHNICAL DOCUMENTS	PRODUCT INFORMATION CENTER 1-800-522-6752	VOLTAGE RATING: N/A	DIMENSIONS: INCHES	TOLERANCES UNLESS OTHERWISE SPECIFIED:	CHK TOM MICHIELUTTI 24SEPT09	NAME TERMINAL, RING TONGUE, STRATO-THERM, BENT 45	
FOR APPLICATION TOOLING INFORMATION	TOOLING ASSISTANCE CENTER 1-800-722-1111	CIRCULAR MIL AREA: 42.4-60.6mm² [83,700-119,500] STRANDED		0 PLC ± - 1 PLC ± - 2 PLC ± - 3 PLC ± .008 4 PLC ± - ANGLES ± -	APVD TOM MICHIELUTTI 24SEPT09	APPLICATION SPEC	SIZE A3
FOR ORDER ENTRY	1-800-526-5142	THIS DRAWING IS A CONTROLLED DOCUMENT FOR AMP INCORPORATED. IT IS SUBJECT TO CHANGE AND THE CONTROLLING ENGINEERING ORGANIZATION SHOULD BE CONTACTED FOR THE LATEST REVISION.	MATERIAL - ③	FINISH - ②	PRODUCT SPEC	WEIGHT -	CAGE CODE 00779
			CUSTOMER DRAWING		DRAWING NO G-696735		RESTRICTED TO -
					SCALE 2:1		SHEET 1 OF 1
							REV D

单击下面可查看定价，库存，交付和生命周期等信息

[>>TE Connectivity\(泰科\)](#)