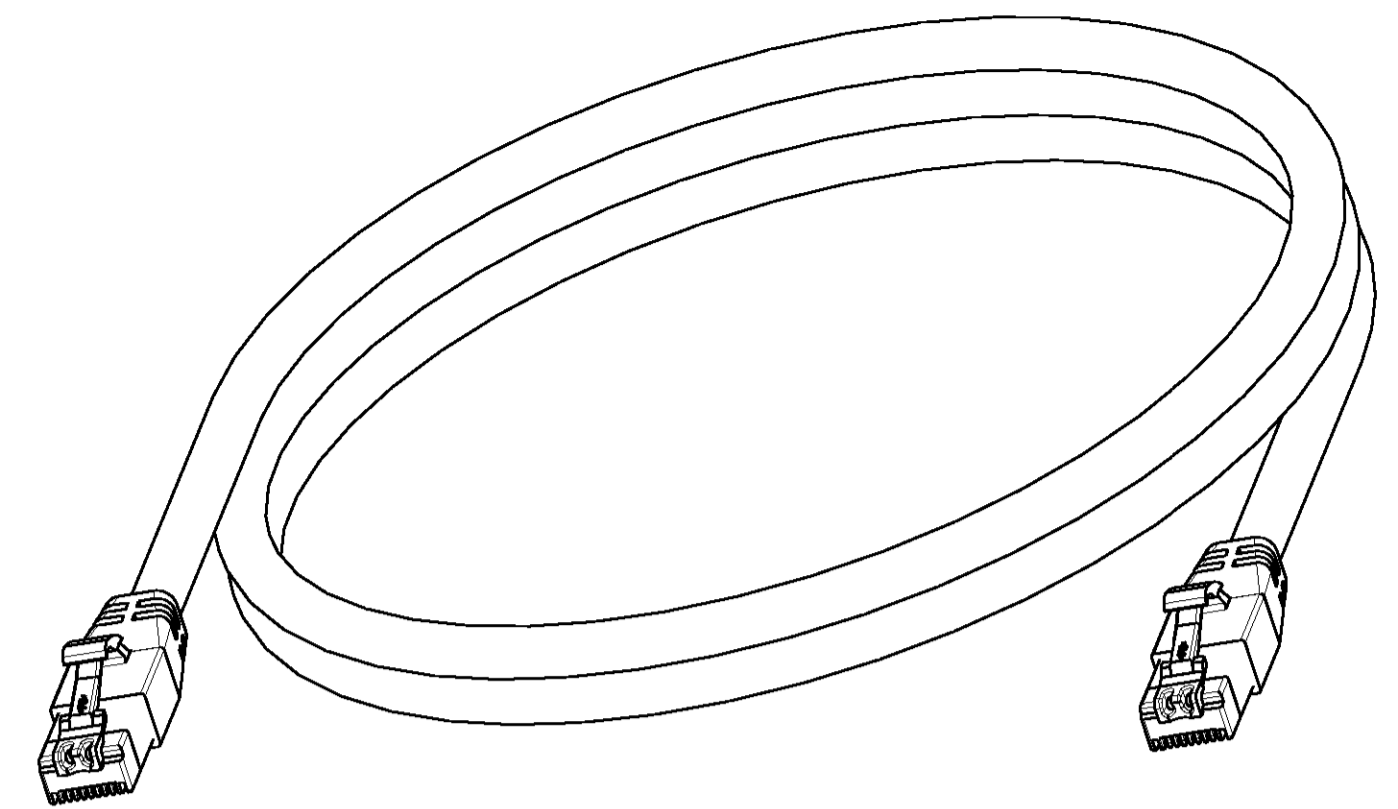
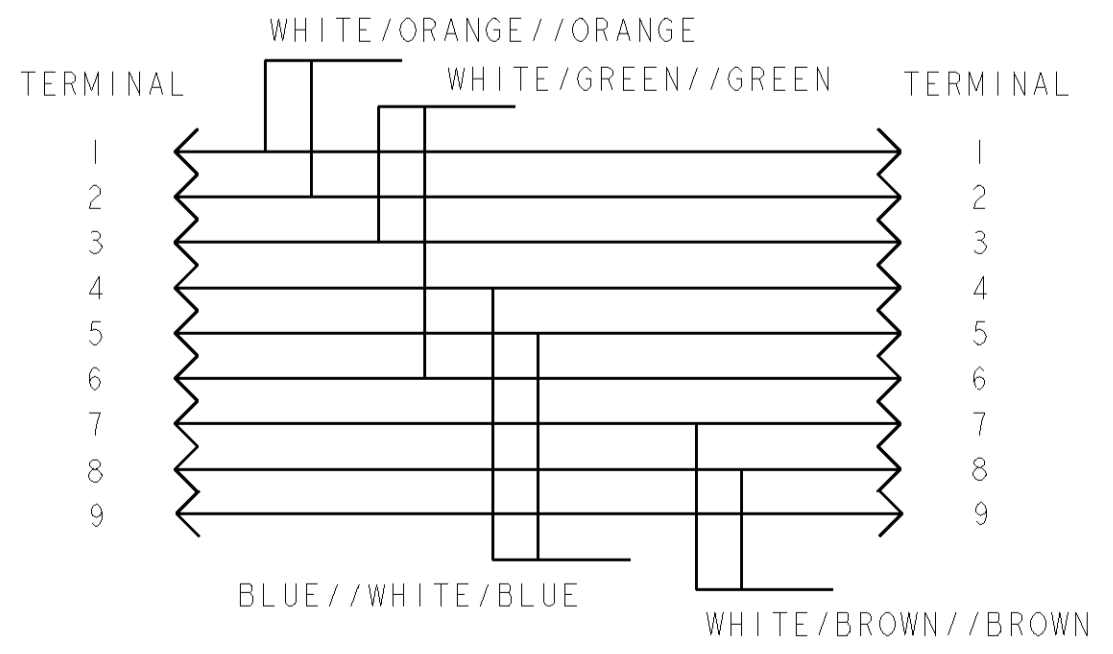
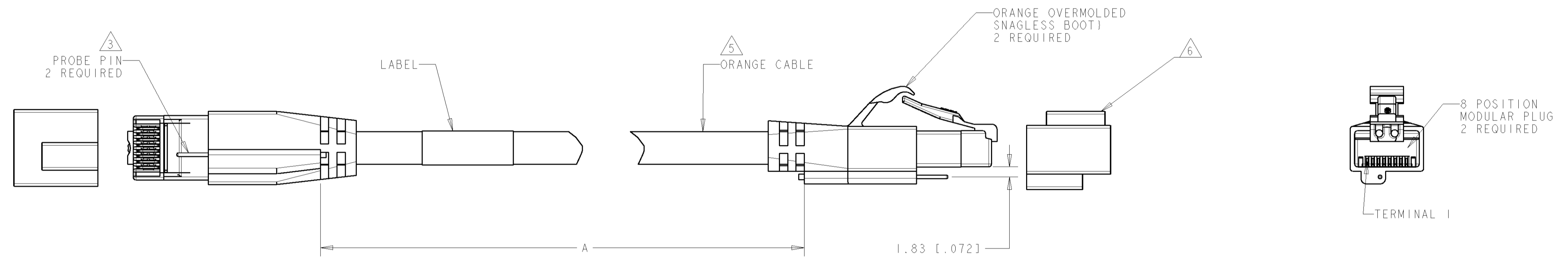


LOC	DIST	REVISIONS			
P	LTR	DESCRIPTION	DATE	DWN	APVD
E		REV-EC 0B60-0066-04	27JUL04	LH	MD
F		REV: EC 0B60-0118-04	28DEC2004	GG	MD



- ① CABLE ASSEMBLY SHALL BE WIRED PER WIRING DIAGRAM.
- 2. FINAL ASSEMBLY SHALL BE 568B COMPLIANT.
- ③ PROBE PINS ARE CONNECTED BY 9TH WIRE IN CABLE.
- ④ DIMENSIONS ARE MAXIMUM.
- ⑤ CABLE OUTSIDE DIAMETER IS 6.7 MM NOMINAL AND FOR REFERENCE ONLY.
- ⑥ PROTECTIVE CAPS TO BE REMOVED PRIOR TO MATING WITH MODULAR JACK, SHIPPED WITH CAPS INSTALLED.



① WIRING DIAGRAM 568B

35	10818.0 [426.00]	3-1435918-5
30	9294.0 [366.00]	3-1435918-0
25	7874.0 [310.00]	2-1435918-5
16	5130.8 [202.00]	1-1435918-6
14	4521.2 [178.00]	1-1435918-4
10	3251.2 [128.00]	1-1435918-0
9	2895.6 [114.00]	1435918-9
7	2286.0 [90.00]	1435918-7
5	1676.4 [66.00]	1435918-5
4	1371.6 [54.00]	1435918-4
3	1066.8 [42.00]	1435918-3
2	762.0 [30.00]	1435918-2
FEET, REF		PART NO.

DIMENSIONS: MM [INCH]		TOLERANCES UNLESS OTHERWISE SPECIFIED: 0 PLC ± 1 PLC ± 2 PLC ± 3 PLC ± 4 PLC ± ANGLES ± FINISH		DWN: L. HALL 09FEB04 CHK: M. DELPHIAS 11FEB04 APVD: M. DELPHIAS 11FEB04		<b>tyco</b> Electronics Tyco Electronics Harrisburg, Pa., 17105-3608	
MATERIAL: - FINISH: -		WEIGHT: - CUSTOMER DRAWING		NAME: PATCH CORD, AMPTRAC CATEGORY 6, NON-PLENUM, ORANGE W/ORG BOOTS APPLICATION SPEC: - SIZE: A   00779   C=1435918 SCALE: NTS SHEET 1 OF 1 REV F		RESTRICTED TO: -	

单击下面可查看定价，库存，交付和生命周期等信息

[>>TE Connectivity\(泰科\)](#)