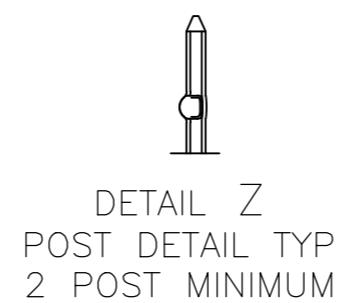
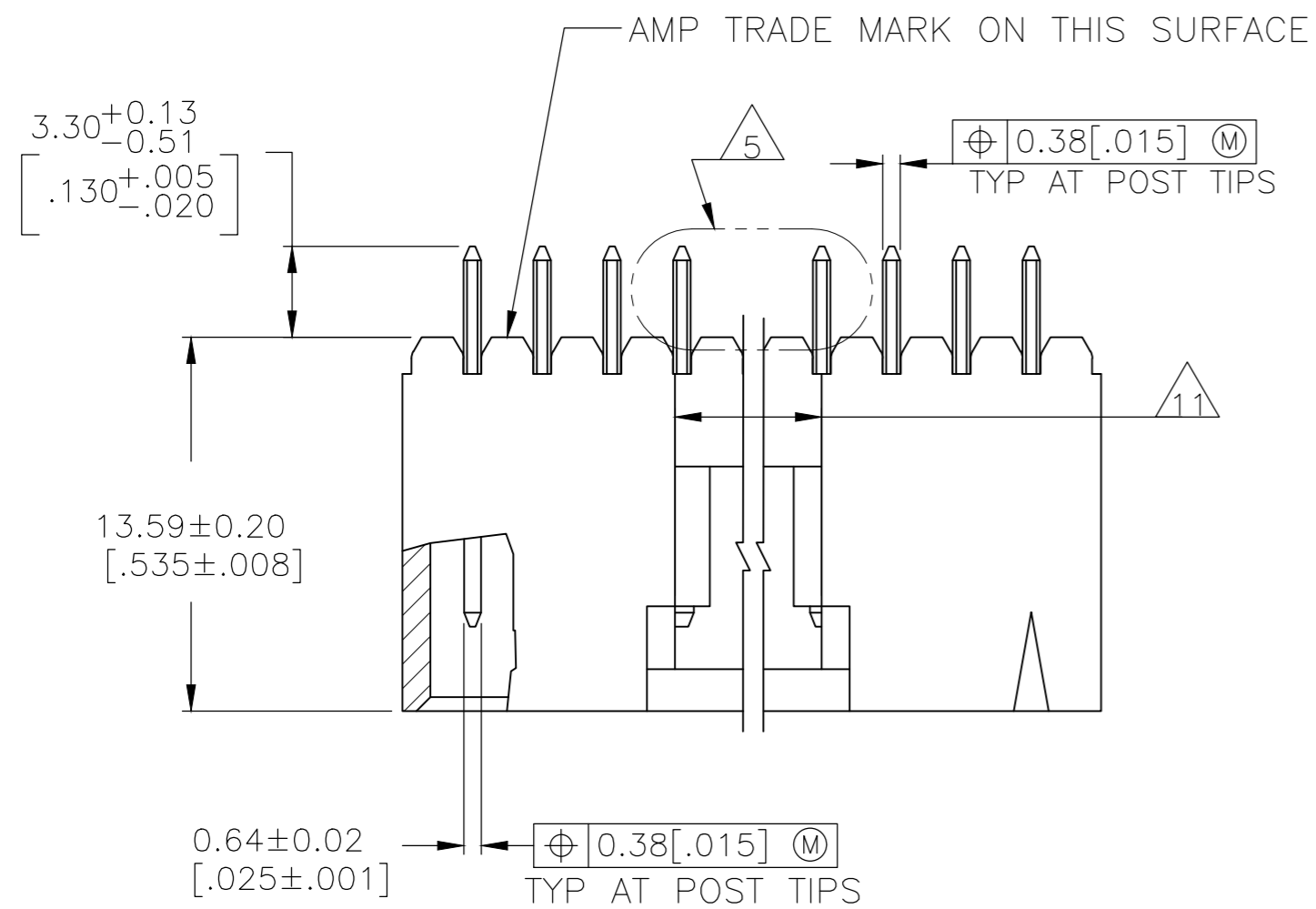
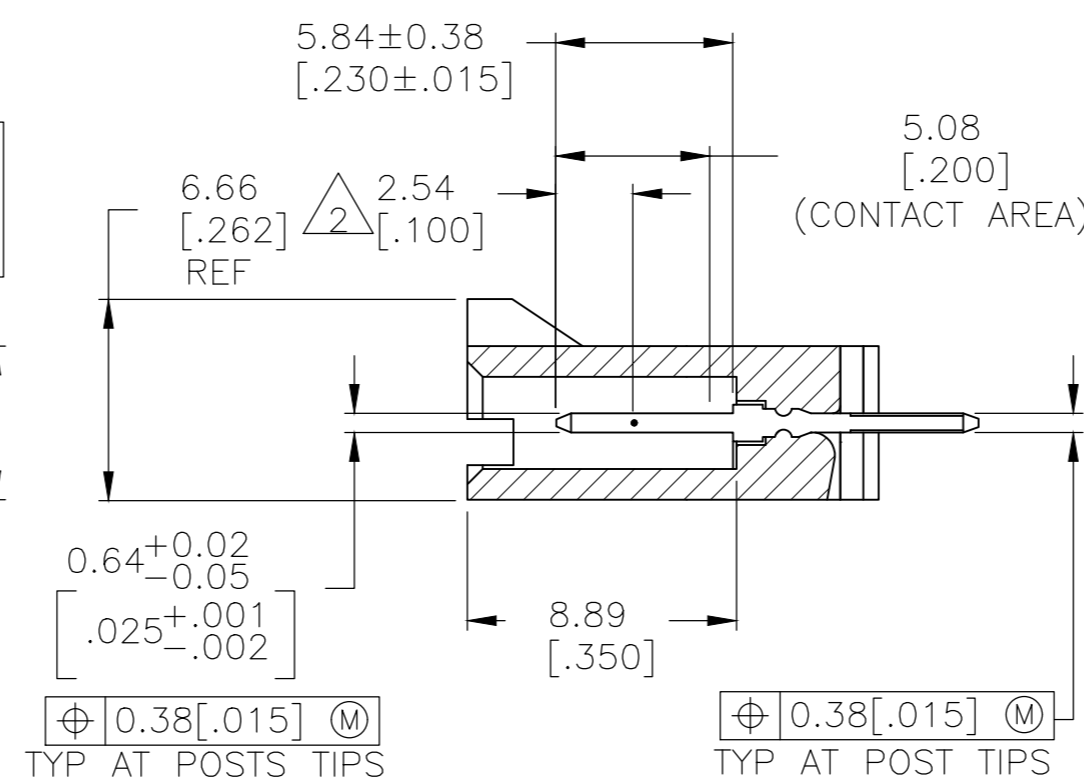
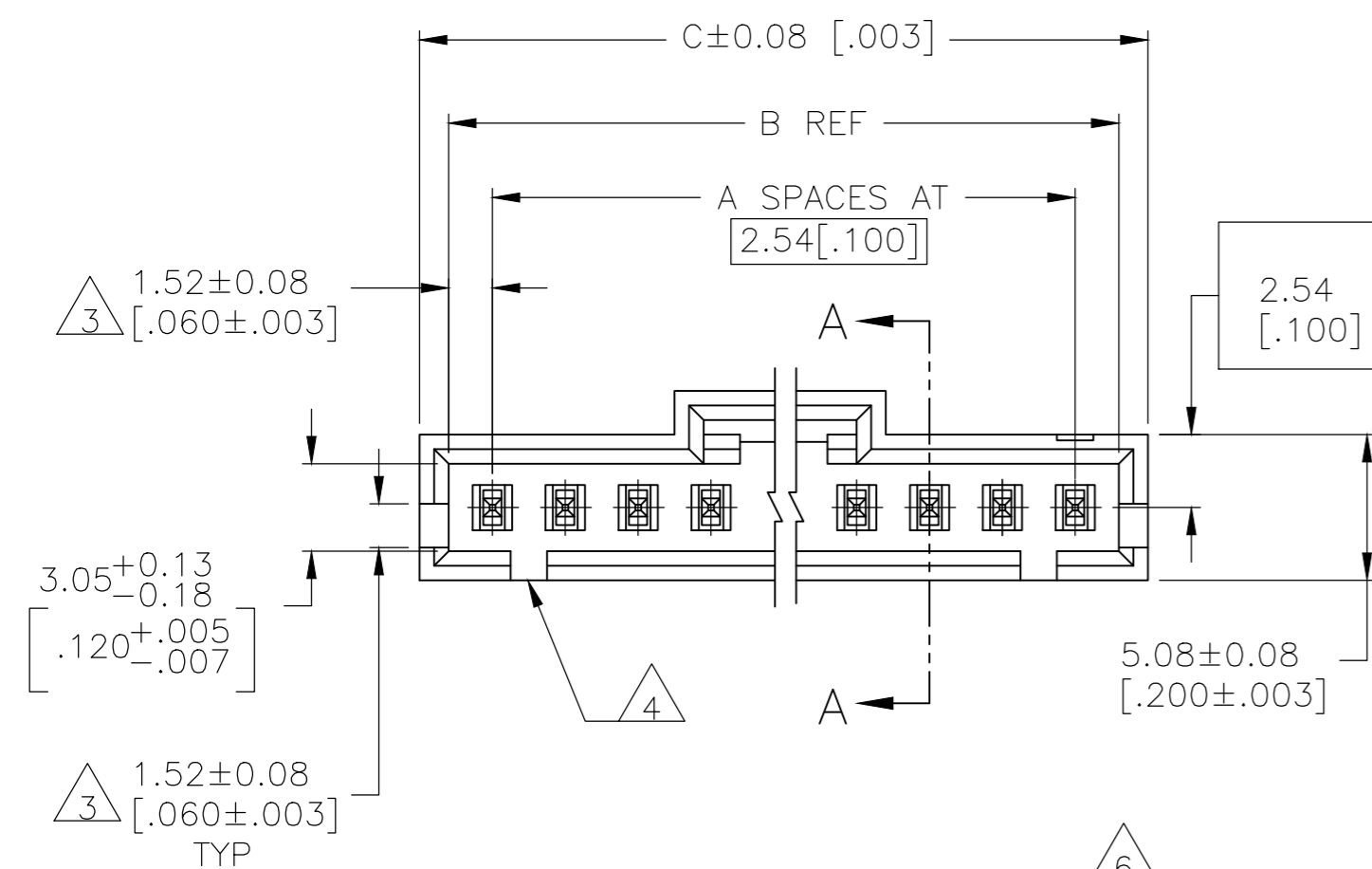


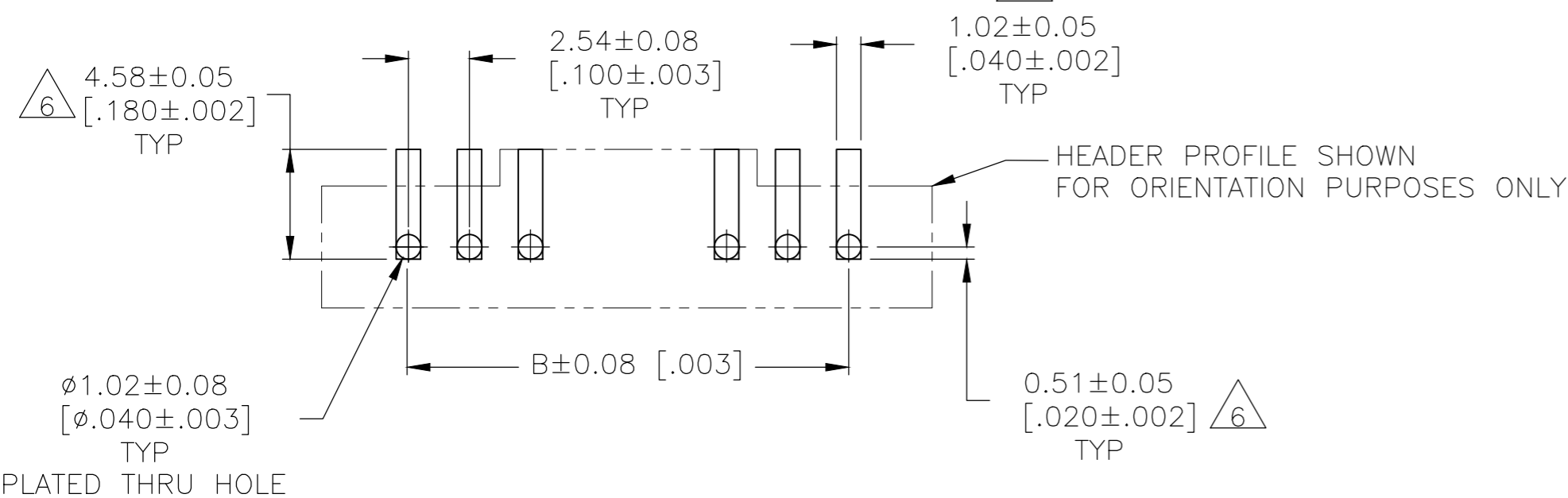
REVISIONS					
P	LTR	DESCRIPTION	DATE	DWN	APVD
K		REVISED PER ECO-20-001327	05JUN2020	SB	JO



- 1 POST: 0.00076[.000030] GOLD IN THE CONTACT AREA, 0.00254-0.00508[.000100-.000200] MATTE TIN-LEAD ON THE SOLDER TAIL, ALL OVER 0.00127[.000050] NICKEL
- 2 POINT OF MEASUREMENT FOR PLATING THICKNESS
- 3 THE NOTED DIMENSIONS APPLY FROM THE BASIC DIMENSION LINE (NOT THE POST CENTERLINE) TO THE SURFACE INDICATED
- 4 ONE POLARIZATION SLOT FOR 2 AND 3 POSITION ASSEMBLIES ONLY.
- 5 SELECT POST TAILS FORMED TO PROVIDE CONNECTOR HOLD DOWN UNTIL SOLDERED, CONFIGURATION ACCEPTS 0.69-2.03[.027-.080] THICK PRINTED CIRCUIT BOARD (SEE DETAIL Z)
- 6 DIMENSIONS NOTED ARE FOR SOLDER STENCIL LAYOUT FOR USE WITH 1.57±0.20[.062±.008] THICK PRINTED CIRCUIT BOARDS.
- 7. PARTS ARE PACKAGED IN GANG OF TUBES
- 8 HOUSING: HIGH TEMPERATURE, LCP, COLOR BLACK. POST: BRASS
- 9 PRELIMINARY PART-NOT RELEASED FOR PRODUCTION.
- 10 POST: 0.00076[.000030] GOLD IN THE CONTACT AREA, 0.00254-0.00508[.000100-.000200] MATTE TIN ON THE SOLDER TAIL, ALL OVER 0.00127[.000050] NICKEL
- 11 0.25 [.010] RECESS PERMISSIBLE IN THIS AREA FOR MOLD SHUT OFF



SECTION A-A



RECOMMENDED PC BOARD MOUNTING DIMENSIONS
RECOMMENDED STENCIL THICKNESS = 0.25[.010]

10	40.51 [1.595]	38.61 [1.520]	14	15	6-104915-4
10	12.57 [.495]	10.67 [.420]	3	4	5-104915-3
10	10.03 [.395]	8.13 [.320]	2	3	5-104915-2
10	7.49 [.295]	5.59 [.220]	1	2	5-104915-1
9	40.51 [1.595]	38.61 [1.520]	14	15	1-104915-4
1	12.57 [.495]	10.67 [.420]	3	4	104915-3
1	10.03 [.395]	8.13 [.320]	2	3	104915-2
1	7.49 [.295]	5.59 [.220]	1	2	104915-1
PLATING	C	B	A	NO OF POSN	PART NUMBER

THIS DRAWING IS A CONTROLLED DOCUMENT.		DWN M.BINNER 28FEB01	TE Connectivity		
DIMENSIONS: mm [INCHES]		CHK K.WRIGHT 07MAR01	NAME HEADER ASSY, AMPMODU MTE, VERTICAL SINGLE ROW, 2.54[.100] CL, 0.64[.025] SQ POST POLARIZED, WITH LATCHING & HOLD DOWN, HIGH		
TOLERANCES UNLESS OTHERWISE SPECIFIED:		APVD K.WRIGHT 07MAR01	SIZE A2		
0 PLC ± -		PRODUCT SPEC	DRAWING NO 00779		
1 PLC ± -		APPLICATION SPEC	RESTRICTED TO		
2 PLC ± 0.13[.005]		WEIGHT	SCALE 4:1		
3 PLC ± -		FINISH	SHEET 1 OF 1		
4 PLC ± -		SEE TABLE	REV K		
ANGLES ± -					
MATERIAL					
FINISH					
CUSTOMER DRAWING					

单击下面可查看定价，库存，交付和生命周期等信息

[>>TE Connectivity\(泰科\)](#)