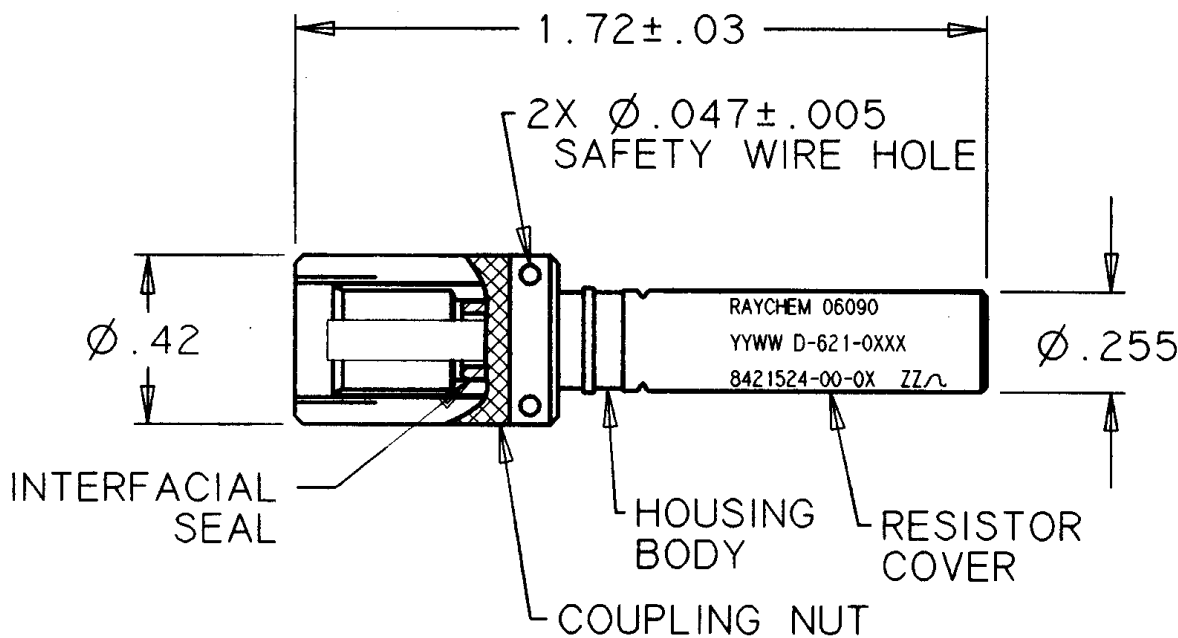


REVISIONS

LTR	DESCRIPTION	DATE	APPROVED
N	RELEASED PER E.C.N. T-8409	87-7	I.M.
A	REVISED PER E.C.N. T-8576	87-9-2	I.M.
B	REVISED PER E.C.N. T-9548	88-4-7	I.M.
C	REVISED PER E.C.N. T-10386	88-7-15	Z.T.
D	REVISED PER E.C.N. T-14157	90-4-10	Z.T.
E	REVISED PER E.C.N. T-16949 "WAS" D-621-XXXX[-L]	92-1-6	Z.T.

- XXXX(-L) *
- 0112(-L)
- 0406(-L)
- 0407(-L)
- 0413(-L)
- 0415(-L)
- 0417(-L)
- 0418(-L)
- 0423(-L)
- 0424(-L)



SPECIFICATION CONTROL DRAWING

If this document is printed it becomes uncontrolled.
Check for the latest revision.

UNLESS OTHERWISE SPECIFIED DIMENSIONS ARE IN INCHES. METRIC DIMENSIONS ARE IN BRACKETS. DECIMALS .XXX ± .005 { mm } .XX ± .01 { mm } ANGLES .X ± WEIGHT:	DRAWN	terry	87-6-22	Tyco Electronics Corporation 300 Constitutional Drive Menlo Park, CA 94025 USA Raychem Electronics						
	CHECKED									
	APPROVED			TITLE	THREADED CORROSION RESISTANT CONNECTORIZED, RESISTOR TERMINATOR INCLUDING USAF NUMBERS					
	APPROVED			CAD NAME	003375-1					
THIRD ANGLE PROJECTION			SIZE	A	CODE IDENT. NO.	06090	DWG. NO.	D-621-0112/04XX[-L]	REV	* E



MOUNTING HOLE DIMENSION



TRIAxIAL CONNECTOR, JACK

If this document is printed it becomes uncontrolled.
Check for the latest revision.

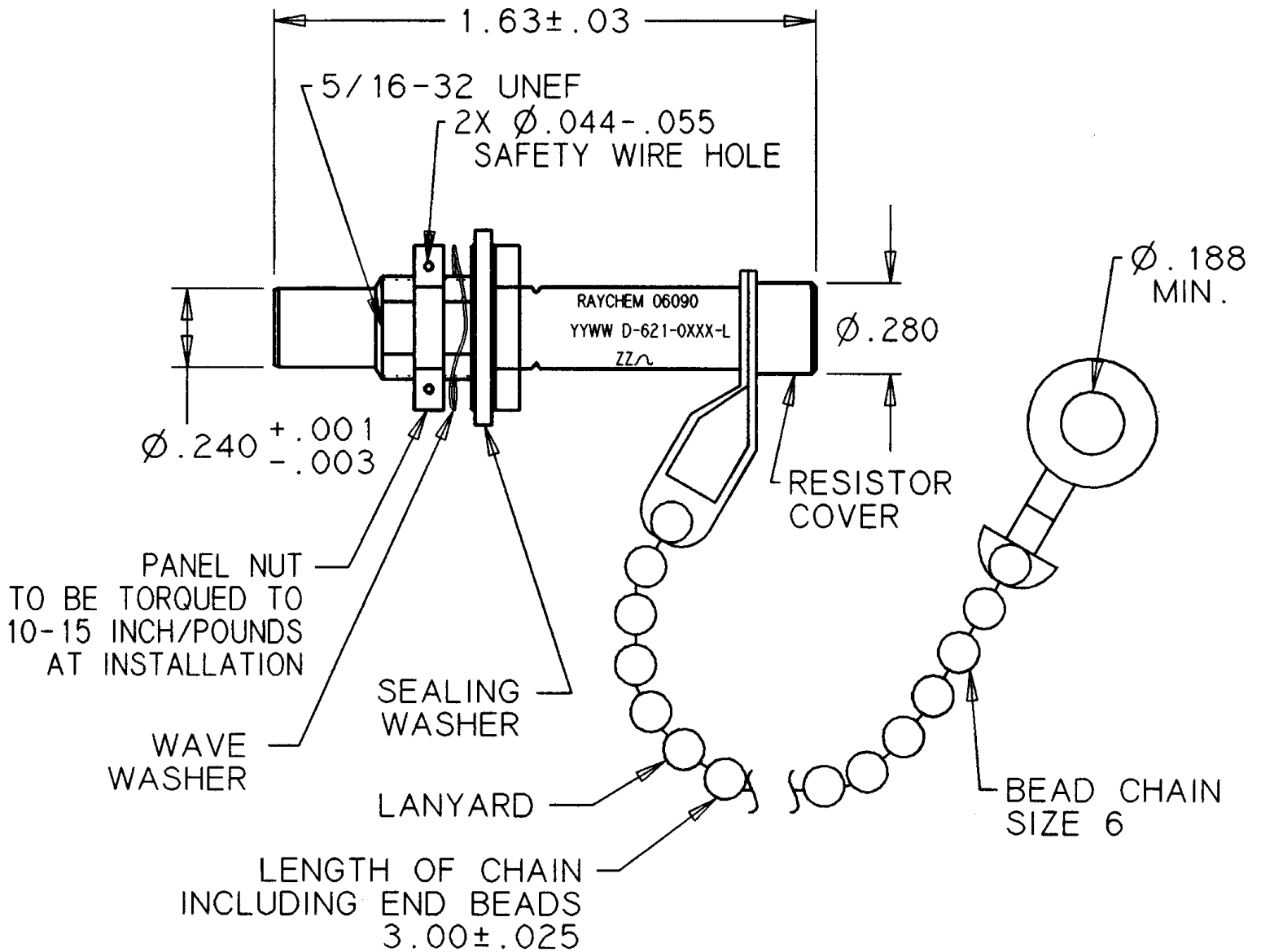
CAD NAME: 003375-2	DRAWN	J.B.K.	91 DEC 3	SIZE	CODE IDENT. NO.	DWG. NO.	REV
	ISSUED			A	06090	D-621-0112/04XX[-L]	E
DO NOT SCALE THIS DRAWING						SHEET 2 OF 6	



TRIAxIAL CONNECTOR, PLUG

If this document is printed it becomes uncontrolled.
Check for the latest revision.

CAD NAME: 003375-3	DRAWN	J.B.K.	91 DEC 3	SIZE	CODE IDENT. NO.	DWG. NO.	REV
	ISSUED			A	06090	D-621-0112/04XX[-L]	E
DO NOT SCALE THIS DRAWING						SHEET 3 OF 6	



TRIAxIAL CONNECTOR, JACK

If this document is printed it becomes uncontrolled.
Check for the latest revision.

CAD NAME: 003375-4	DRAWN	J.B.K.	91 DEC 3	SIZE	CODE IDENT. NO.	DWG. NO.	REV
	ISSUED			A	06090	D-621-0112/04XX[-L]	E
DO NOT SCALE THIS DRAWING						SHEET 4 OF 6	

1.0 MATERIALS

- 1.1 PLUG BODY AND COUPLING NUT: BRASS ALLOY PER ASTM B 16
- 1.2 JACK BODY: BECU PER QQ-C-530, ALLOY 173
CONDITION A OR H
- 1.3 PANEL NUT: BRASS ALLOY PER ASTM B 16
- 1.4 WAVE WASHER: SPRING STEEL OR BECU, TIN PLATED PER MIL-T-10727
- 1.5 RESISTOR COVER: STAINLESS STEEL TYPE 303 PER ASTM A582
- 1.6 LANYARD: CORROSION RESISTANT STEEL
- 1.7 SEALING WASHER:
 - 1.7.1 ELASTOMER: SILICONE PER AMS-3304
 - 1.7.2 WASHER: CORROSION RESISTANT STEEL PER MIL-S-5059
HALF HARD OR ANNEALED
PASSIVATED PER QQ-P-35

2.0 FINISHES

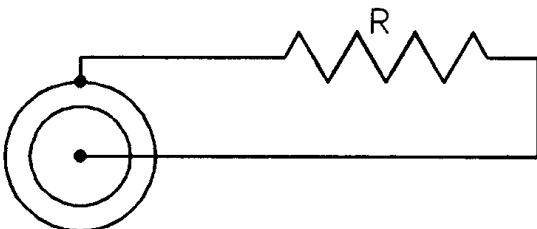
- 2.1 1.1 THRU 1.6: TIN PLATED PER MIL-T-10727 TYPE 1,
OVER SUITABLE NICKEL UNDERPLATE
TO WITHSTAND 500 HOUR SALT SPRAY TEST

3.0 INTERMATEABILITY

- 3.1 SEE TABLE
- 3.2 REFER TO RAYCHEM D-602-0126 AND D-602-0127 FOR CONTACT
INTERMATEABILITY, MATERIAL AND DIMENSIONS.

4.0 PERFORMANCE CHARACTERISTICS

- 4.1 OPERATING TEMPERATURE: -65°C TO +125°C
- 4.2 POWER RATING: 1 WATT MAX.
- 4.3 INSULATION RESISTANCE: GREATER THAN 5K MEG
- 4.4 HIGH POTENTIAL, MATED, SEA LEVEL: 900 VOLTS AT 60 HZ
- 4.5 TERMINATOR RESISTANCE: SEE TABLE
- 4.6 REFER TO RAYCHEM SPECIFICATIONS D-6025 AND D-6020 FOR
OTHER APPLICABLE PERFORMANCE AND QUALIFICATION REQUIREMENTS.
- 4.7 SALT SPRAY CORROSION RESISTANCE: 500 HOURS



R=SEE TABLE FOR RESISTANCE VALUE.
SHEET 6 OF 6

If this document is printed it becomes uncontrolled.
Check for the latest revision.

CAD NAME: 003375-5	DRAWN	J. B. K.	91 DEC 3	SIZE	CODE IDENT. NO.	DWG. NO.	REV
	ISSUED			A	06090	D-621-0112/04XX[-L]	E
Downloaded From Oneyac.com				THIS DRAWING		SHEET 5 OF 6	

NOTES:

① SUFFIX "L" INDICATES PARTS WITH LANYARD.

② WEIGHT: PLUG: 19 GRAMS MAX., WITH LANYARD 24 GRAMS MAX.
JACK: 14 GRAMS MAX., WITH LANYARD 19 GRAMS MAX.

① DRAWING NO.	CONN.	INSTALLED CONTACT	MATING CONNECTOR	MATING CONTACT	RESISTANCE VALUE ±2%
D-621-0112(-L)	PLUG	PIN	D-621-0412	SOCKET	50 OHMS
D-621-0406(-L)	JACK	SOCKET	D-621-0411	PIN	78 OHMS
D-621-0407(-L)	PLUG	SOCKET	D-621-0412	PIN	3000 OHMS
D-621-0413(-L)	PLUG	PIN	D-621-0412	SOCKET	78 OHMS
D-621-0415(-L)	PLUG	SOCKET	D-621-0412	PIN	78 OHMS
D-621-0417(-L)	PLUG	PIN	D-621-0412	SOCKET	3000 OHMS
D-621-0418(-L)	JACK	PIN	D-621-0411	SOCKET	78 OHMS
D-621-0423(-L)	JACK	PIN	D-621-0411	SOCKET	3000 OHMS
D-621-0424(-L)	JACK	SOCKET	D-621-0411	PIN	3000 OHMS

U. S. AIR FORCE SPECIAL MARKING	
AIR FORCE TERMINATOR	AIR FORCE DRAWING NO.
D-621-0406	842 1525-00-04
D-621-0407	842 1524-00-02
D-621-0413	842 1524-00-03
D-621-0415	842 1524-00-04
D-621-0417	842 1524-00-01
D-621-0418	842 1525-00-03
D-621-0423	842 1525-00-01
D-621-0424	842 1525-00-02

If this document is printed it becomes uncontrolled.
Check for the latest revision.

CAD NAME: 003375-6	DRAWN	J. B. K.	91 DEC 3	SIZE	CODE IDENT. NO.	DWG. NO.	REV
	ISSUED			A	06090	D-621-0112/04XX(-L)	E
DO NOT SCALE THIS DRAWING						SHEET 6 OF 6	

单击下面可查看定价，库存，交付和生命周期等信息

[>>TE Connectivity\(泰科\)](#)