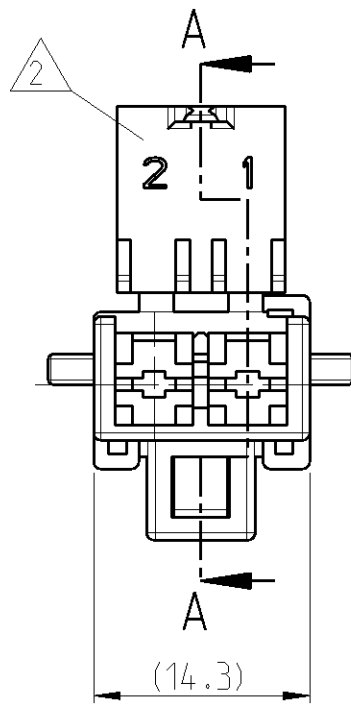
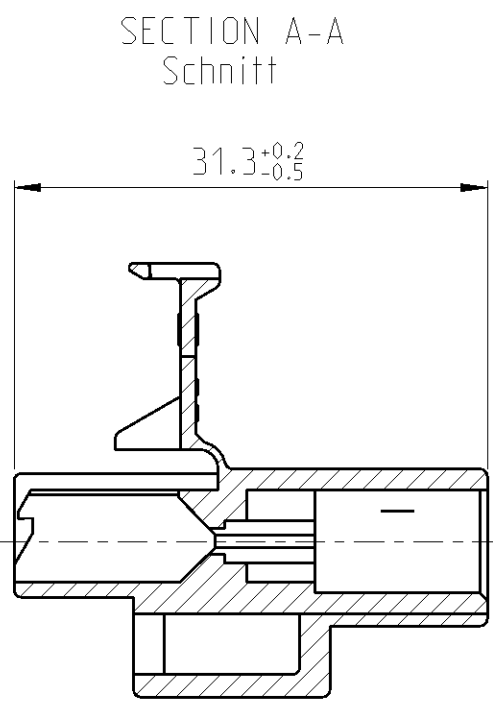
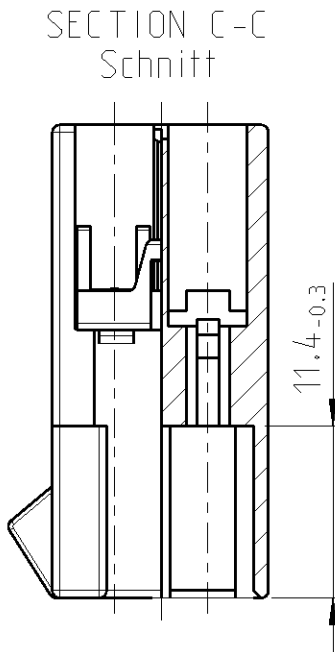
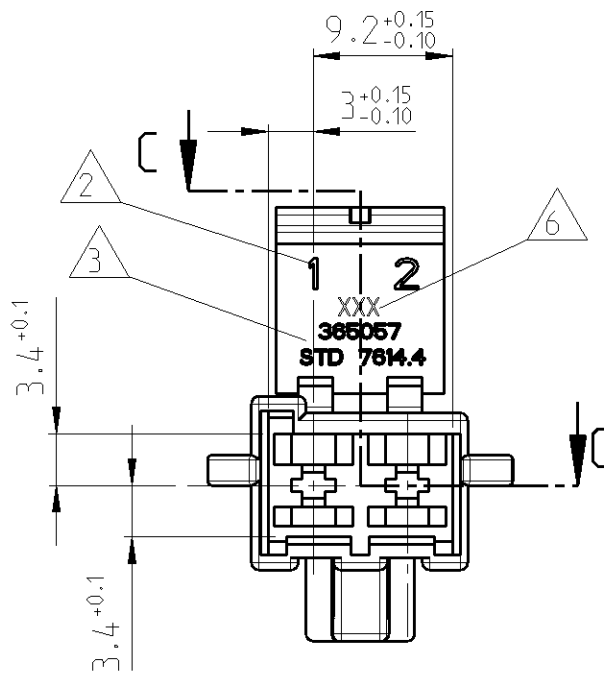


LOC	DIST	REVISIONS			
P	LTR	DESCRIPTION	DATE	DWN	APVD
AL	2	E1	TE Logo changed; Note 6 added	30JAN2013	Ho. Schin.



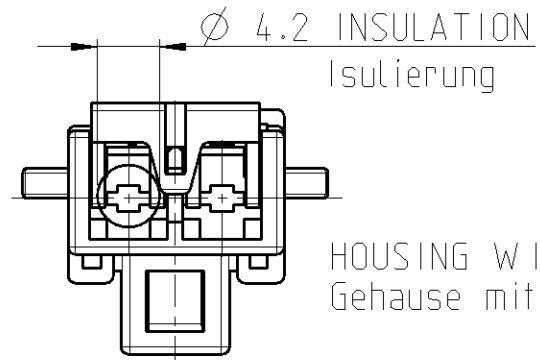
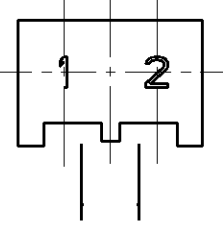
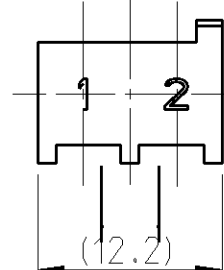
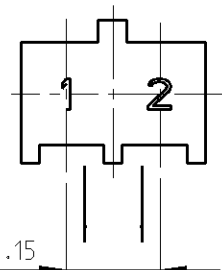
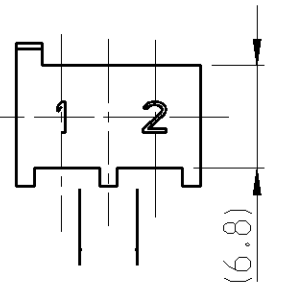
- 1 MATERIAL AND COLORS ARE FREE OF CADMIUM  
Material und Farbbatch muss cadmiumfrei sein
- 2 CHARACTER HEIGHT 2  
Schrifthoehe 2
- 3 CHARACTER HEIGHT 1  
Schrifthoehe 2
- 4 FITTING WITH 365058  
Passend zu 365058
- 5 PARTS MUST BE AIR TIGHT PACKAGED,  
MOISTURE CONTENT MUST BE 2.5±1%  
Teile muessen luftdicht verpackt sein,  
die Feuchte muss 2.5±1% betragen
- 6 LOGO ACC. TO TE SPEC TEC-202-36;  
0.15 RAISED  
Firmenlogo entsprechend TE Spec TEC-202-36;  
0.15 erhaben

CODING 1  
Kodierung

CODING 2  
Kodierung

CODING 3  
Kodierung

CODING 4  
Kodierung



HOUSING WITH CLOSED FLAP  
Gehäuse mit geschlossener Kappe

CODE NO.	PART NUMBER	MATERIAL	COLOUR
CODE 4	365057-4	PA 6.6	YELLOW
CODE 3	365057-3	PA 6.6	BLACK
CODE 2	365057-2	PA 6.6	GREY
CODE 1	365057-1	PA 6.6	NATUR

THIS DRAWING IS A CONTROLLED DOCUMENT.		DWN R. ULLRICH 12APR1985		<b>TE Connectivity</b>	
DIMENSIONS: mm		CHK J.PASCUAL 15JUN1993			
		TOLERANCES UNLESS OTHERWISE SPECIFIED:		NAME 2 POS. TAB-HOUSING	
		0 PLC ± 1 PLC ± 2 PLC ± 3 PLC ± 4 PLC ± ANGLES ±° FINISH -		APVD L. BATTILO 15JUN1993	
MATERIAL SEE TABLE		PRODUCT SPEC -		RESTRICTED TO -	
		APPLICATION SPEC -		SIZE A3	
		WEIGHT -		CAGE CODE 00779	
		Customer Drawing		DRAWING NO. C=365057	
		SCALE 2:1		SHEET 1 OF 1	
				REV E1	

单击下面可查看定价，库存，交付和生命周期等信息

[>>TE Connectivity\(泰科\)](#)