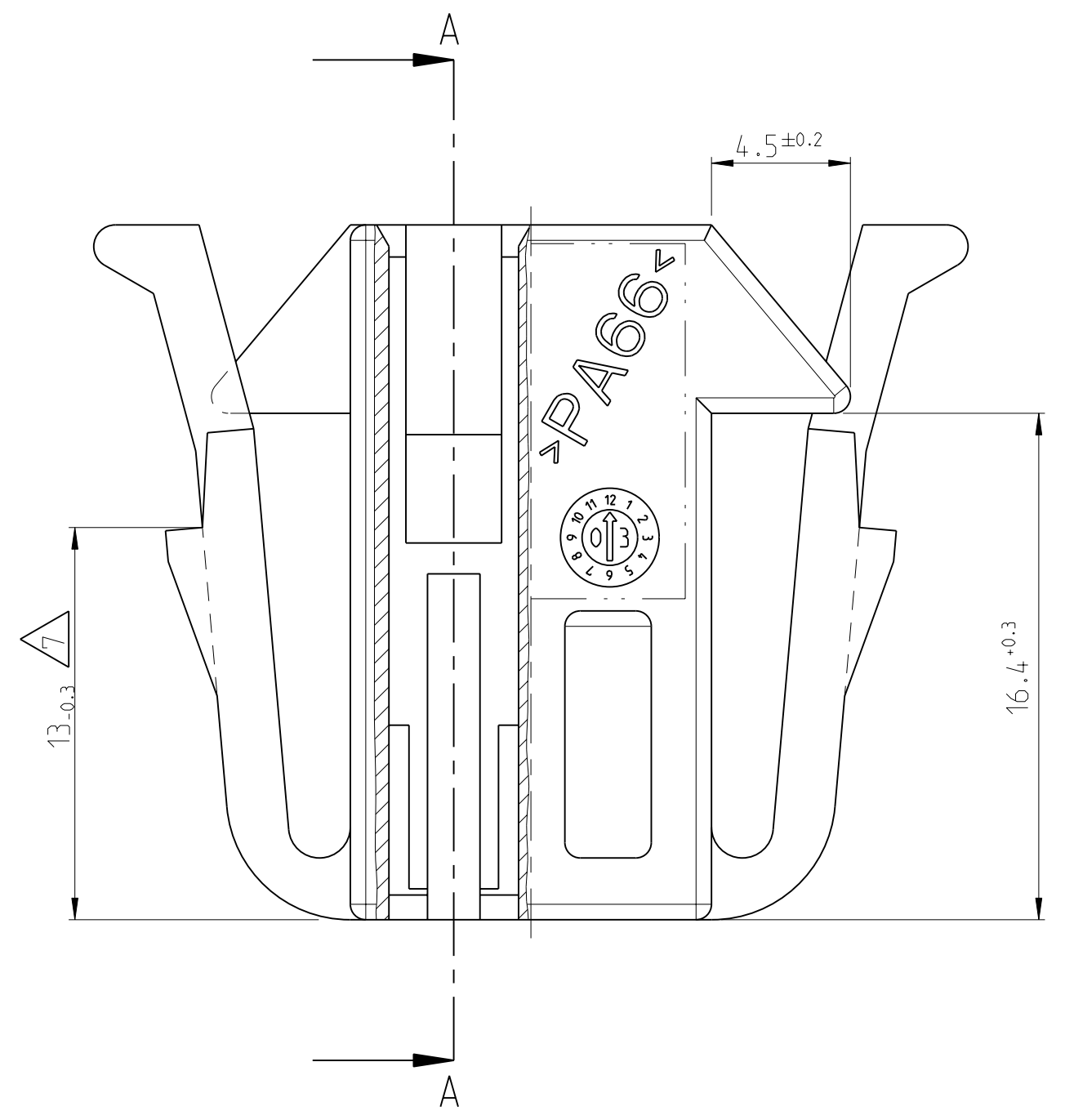
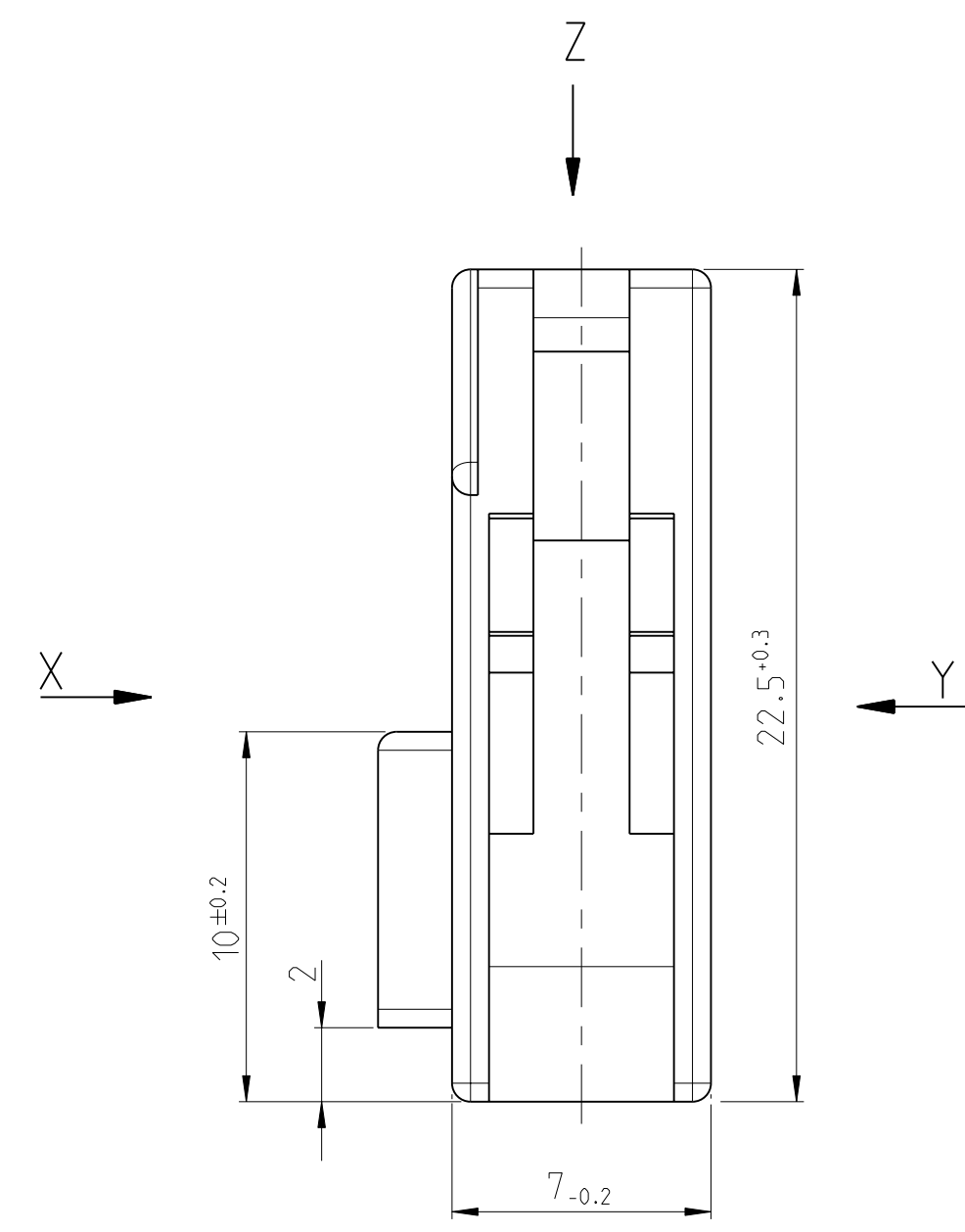
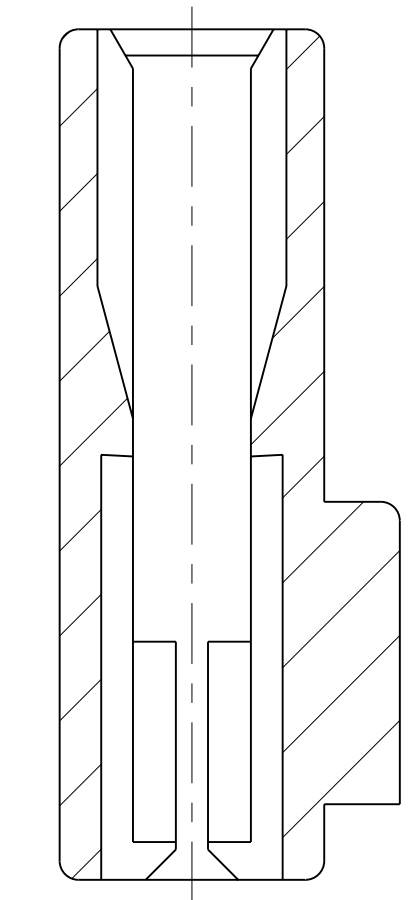


LOC	DIST	REVISIONS			
P	LTB	DESCRIPTION	DATE	DWN	APVD
A2		DRAWING REWORKED	02MAR2000		
A3		NOTE 6 1355047 WAS 116-1814	07SEP2000		
A4		NEW DASH NO 1355390-6 ADDED	09JUL2003		
A5		ECR-11-001151, DRAWING REWORKED	17JAN2011	GS	FT



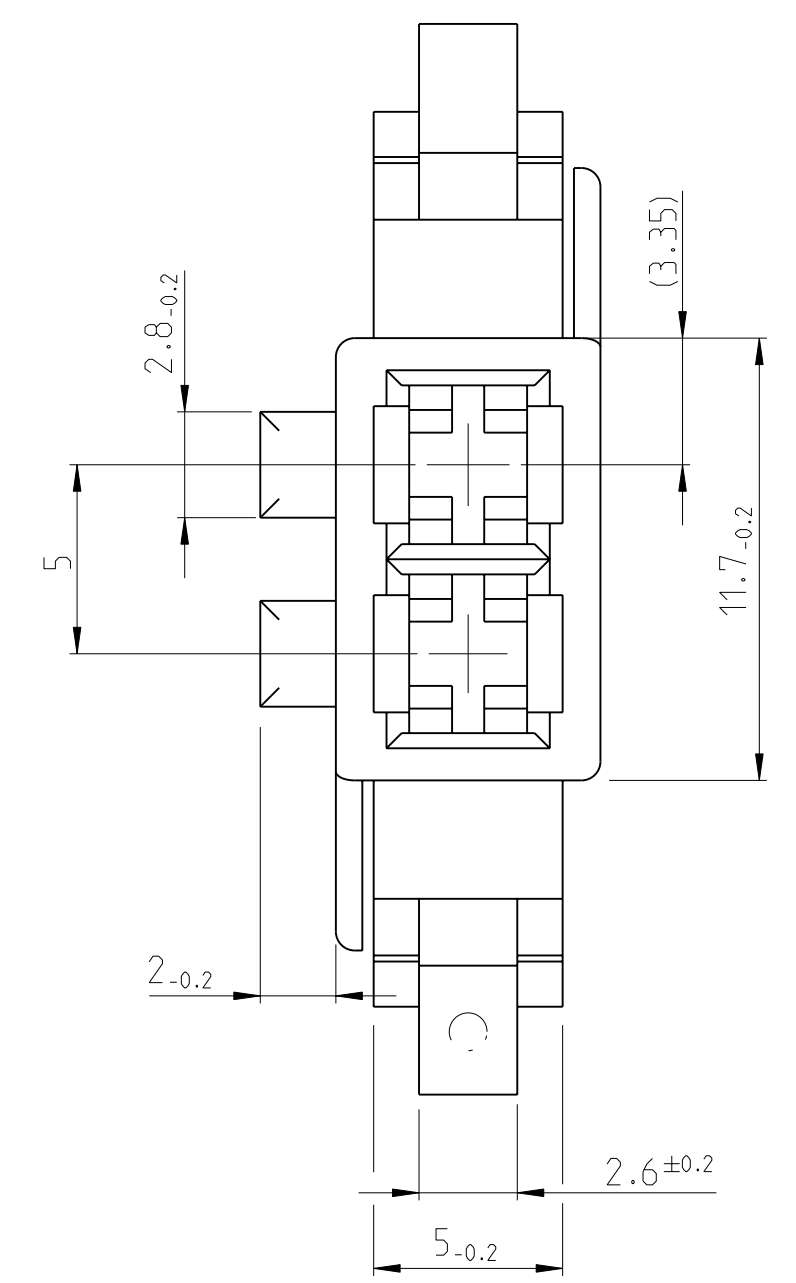
SECTION A-A
Schnitt



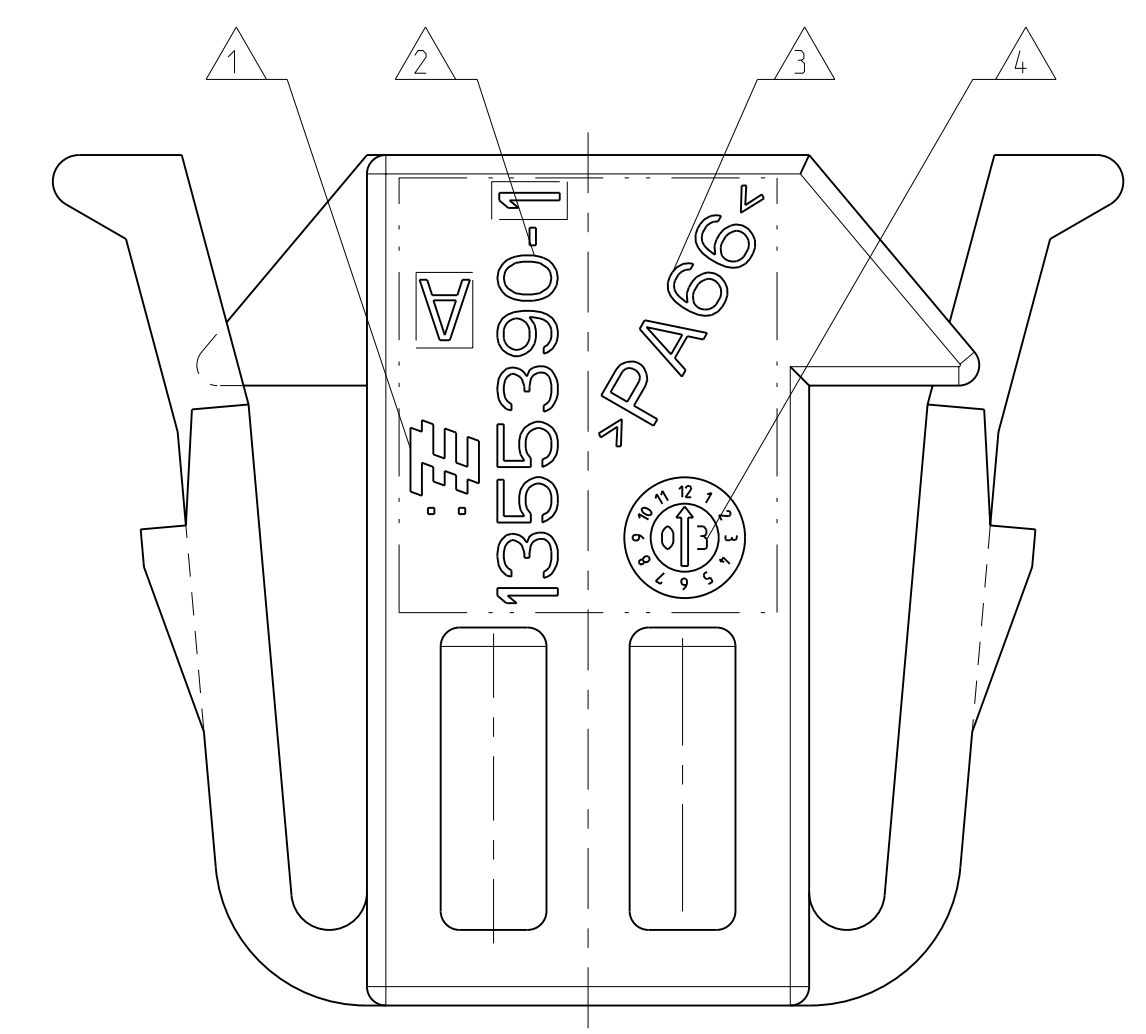
- NOTES
- 1 TE-LOGO
 - 2 TE ORDER-NO.
 - 3 MATERIAL ACC. VDA 260
 - 4 DATE OF PROCESS
 - 5 CAVITY MARKING
 - 6 USED WITH CONTACTS ACC. TO TE-PRODUCT-GROUP-DRAWING 1355047
 - 7 DIMENSION MEASURED IN 0° POSITION OF LOCKING LATCH
 - 8 COUNTER-PART 1718050-1

- BEMERKUNGEN
- 1 TE-LOGO
 - 2 BESTELLNUMMER
 - 3 MATERIALKENNZEICHNUNG NACH VDA 260
 - 4 HERSTELLDATUM
 - 5 KAMMER-NUMMIERIERUNG
 - 6 VERWENDET MIT KONTAKTEN NACH TE TABELLENZEICHNUNG 1355047
 - 7 MASSE SIND ZU MESSEN BEI 0° RASTARMSTELLUNG
 - 8 GEGENSTECKER PN 1718050-1

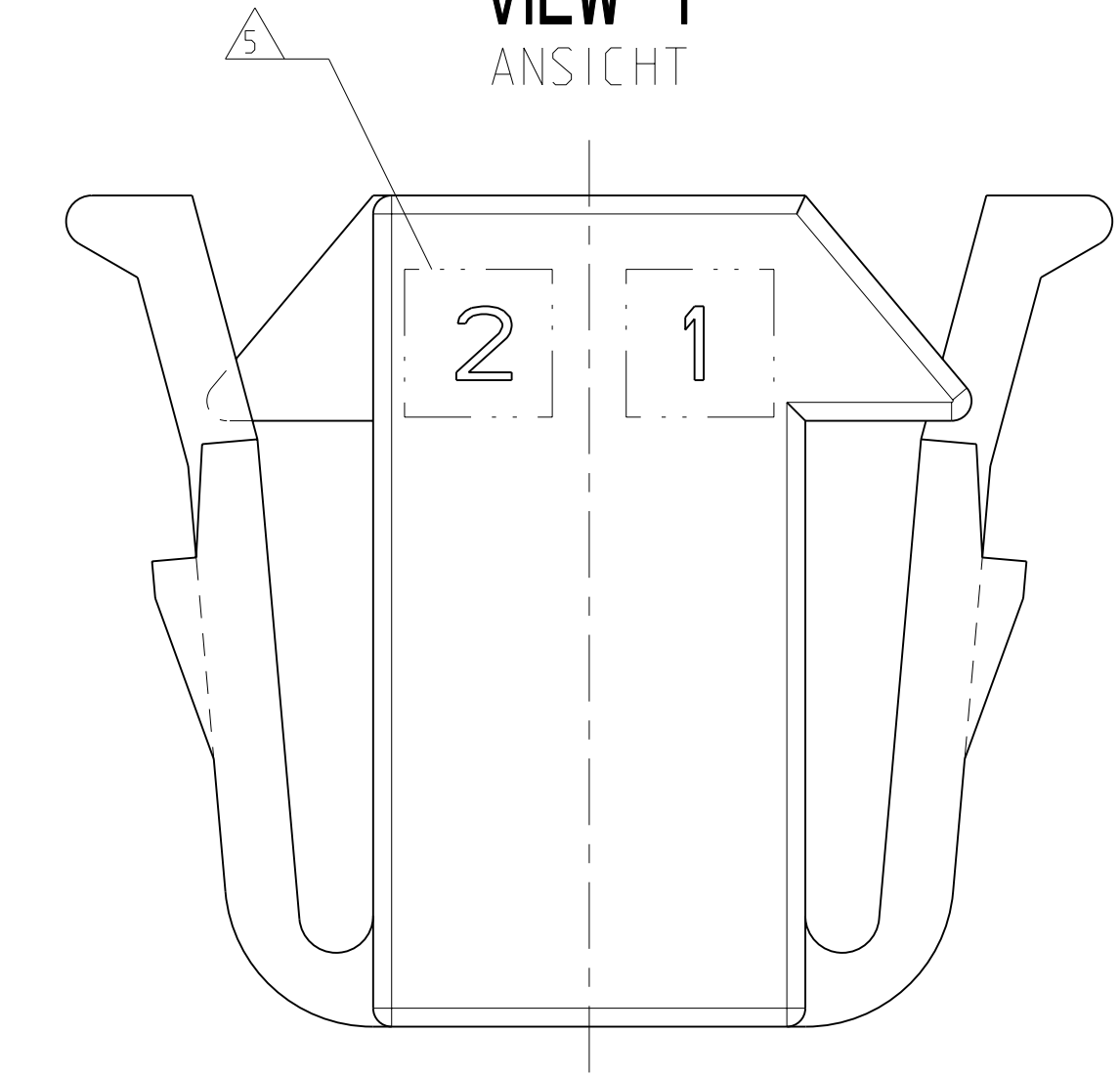
VIEW Z
ANSICHT



VIEW X
ANSICHT



VIEW Y
ANSICHT



CONTACTS Kontakte	TE ORDER NO. (STRIP) TE Best.-Nr. (Band)	TE ORDER NO. (LP) TE Best.-Nr. (Einzel)	WIRE RANGE Drahtbereich	MATERIAL Material	FINISH Ausfuehrung	APPLICATION TOOLING Verarbeitungswerkzeuge
6	965999-2	964346-2	>1.0-2.5mm ²	CuSn4	PRE TIN PLATED Vorverzinkt	HAND TOOL 539635-1 (Handzange)
	964284-2	964283-2	0.5-1.0mm ²	CuSn4	PRE TIN PLATED Vorverzinkt	DIE SET 539664-2 (Matrizensatz)
	964280-2	964279-2	0.2-0.5mm ²	CuSn4	PRE TIN PLATED Vorverzinkt	Kontakt Entriegelungs- Werkzeug 968107-1

CUSTOMER PART NO.	TE PART NO.	REV.	PCS.	MATERIAL	SURFACE/ COLOR	DESCRIPTION	ITEM NO.
-	-	-	-	-	-	-	-
-	1355390-6	A	-	PA 66	WHITE/weiss	HOUSING, 2POSN/Gehaeuse, 2pol	-
-	1355390-1	A	-	PA 66	BLACK/Schwarz	HOUSING, 2POSN/Gehaeuse, 2pol	-

DIMENSIONS:		TOLERANCES UNLESS OTHERWISE SPECIFIED:	
mm	Symbol	PLC	mm
0	∅	PLC	±0.15
1	∅	PLC	±0.15
2	∅	PLC	±
3	∅	PLC	±
4	∅	PLC	±
ANGLES		SEE TABLE	
FINISH		SEE TABLE	
MATERIAL		PA 66	

DWN	R. Schäfer	29NOV1999
CHK	L. Nix	09DEC1999
APVD		
NAME: HOUSING, JUNIOR POWER TIMER CONTACT, 2POSN. Gehäuse, Junior-Power-Timer Kontakte, 2Pol.		
PRODUCT SPEC		
APPLICATION SPEC		
WEIGHT	1.7g	
CUSTOMER DRAWING	/KUNDENZEICHNUNG	SCALE 5:1 SHEET 1 OF 1 REV A5

单击下面可查看定价，库存，交付和生命周期等信息

[>>TE Connectivity\(泰科\)](#)