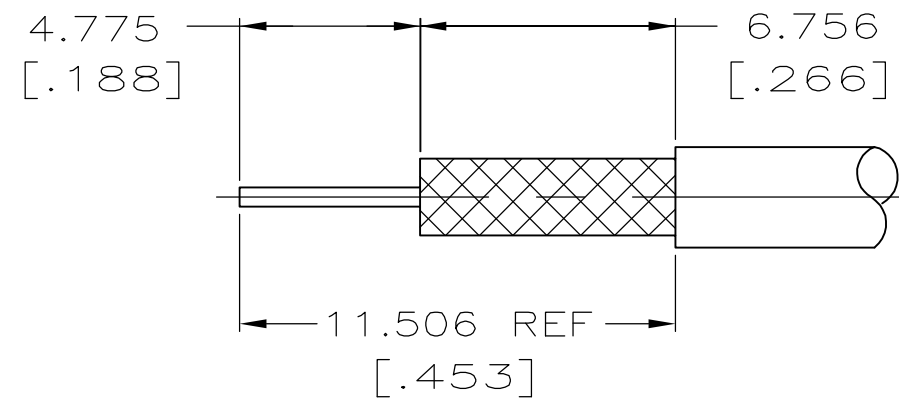
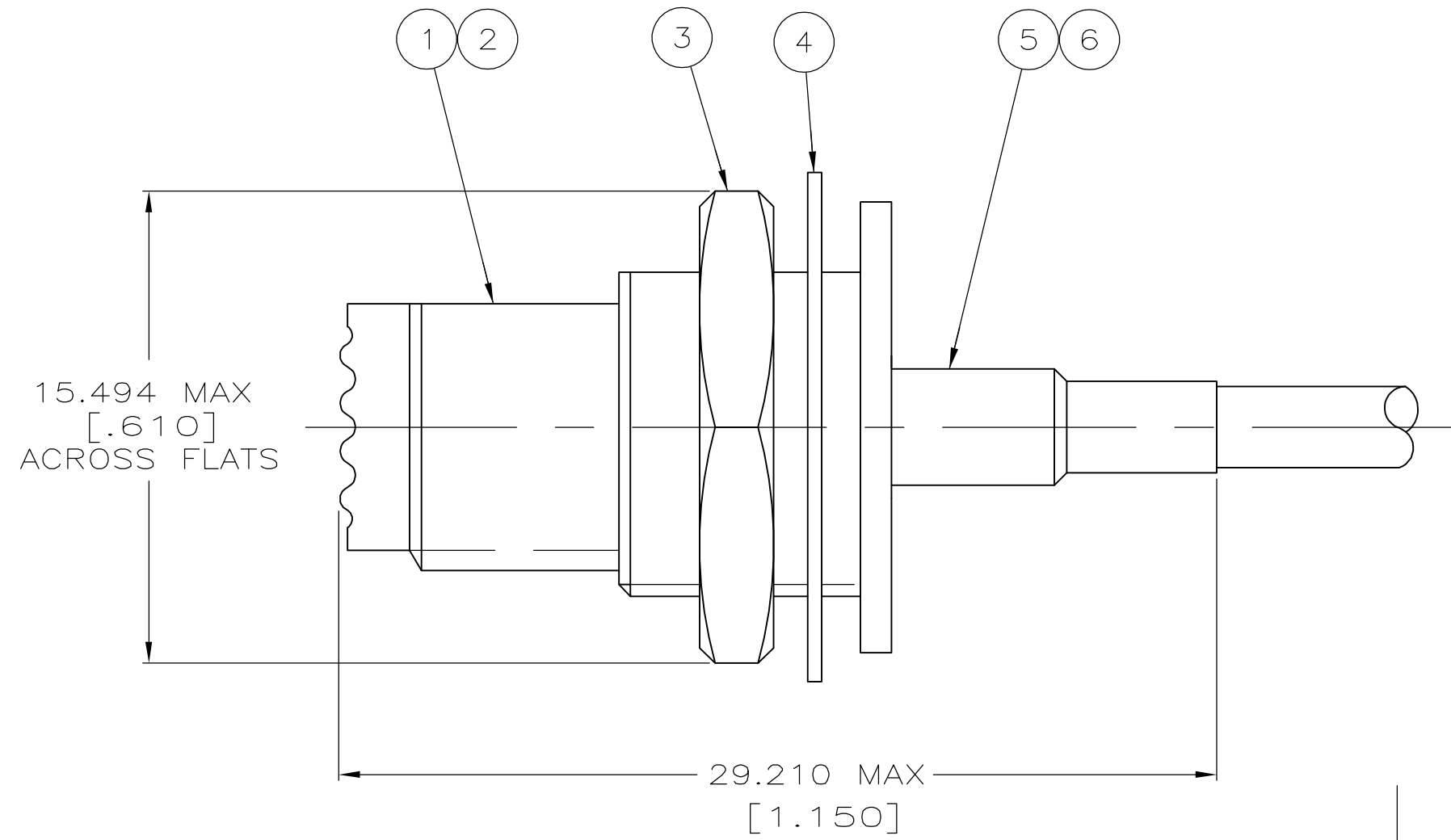
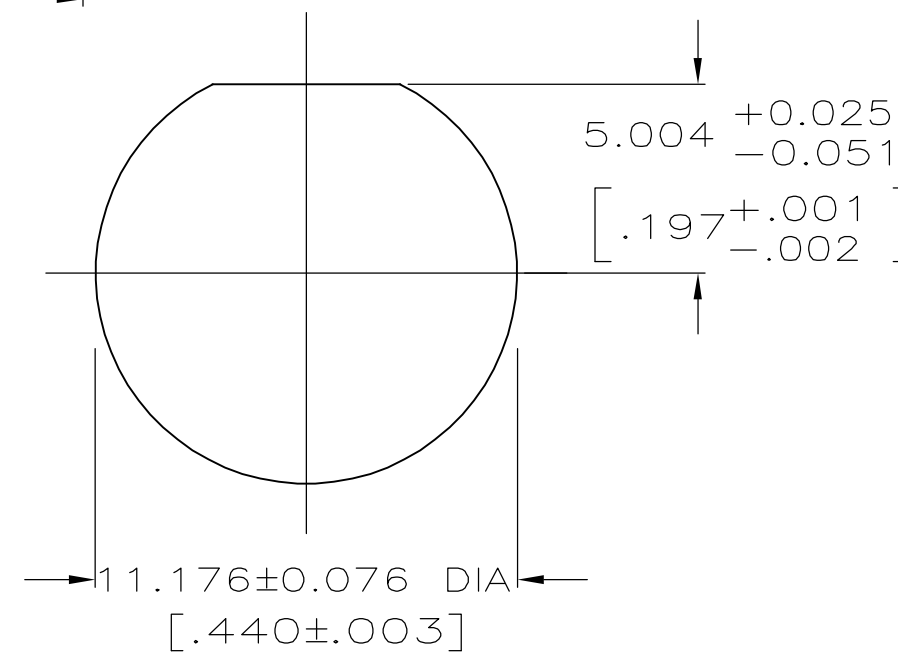


THIS DRAWING IS UNPUBLISHED. RELEASED FOR PUBLICATION
 © COPYRIGHT BY TYCO ELECTRONICS CORPORATION. ALL RIGHTS RESERVED.

LOC	DIST	REVISIONS			
P	LTR	DESCRIPTION	DATE	DWN	APVD
AJ	16	A	REVISED PER EC 0514-0150-05	09NOV2005	REH GM



RECOMMENDED STRIP LENGTH



RECOMMENDED PANEL CUTOUT

⚠ USE CRIMP TOOL: 220149-1

- 2. 2.540 [.100] MAX PANEL THICKNESS
- 3. PACKAGED UNASSEMBLED

⚠ RG-58/U	228906-1	226599-2	980506-1	228575-2	226610-2	9-228905-0	5414045-1
FOR USE WITH CABLE	⑦ GASKET QTY=1	⑤ FERRULE QTY=1	④ LOCKWASHER QTY=1	③ JAM NUT QTY=1	② CONTACT QTY=1	① JACK, BULKHEAD QTY=1	PART NUMBER

THIS DRAWING IS A CONTROLLED DOCUMENT.		DWN A. FERNANDEZ-DOCK5 22APR2005	Tyco Electronics Corporation Harrisburg, PA 17105-3608															
DIMENSIONS: mm [INCHES]		CHK J. HAVENER 22APR2005																
TOLERANCES UNLESS OTHERWISE SPECIFIED:		APVD G. MICHAEL 22APR2005	NAME JACK, BULKHEAD, MINIATURE UHF															
<table border="0"> <tr><td>0 PLC</td><td>± -</td></tr> <tr><td>1 PLC</td><td>± -</td></tr> <tr><td>2 PLC</td><td>± -</td></tr> <tr><td>3 PLC</td><td>± 0.406 [.016]</td></tr> <tr><td>4 PLC</td><td>± -</td></tr> <tr><td>ANGLES</td><td>± -</td></tr> <tr><td>FINISH</td><td>-</td></tr> </table>		0 PLC	± -	1 PLC	± -	2 PLC	± -	3 PLC	± 0.406 [.016]	4 PLC	± -	ANGLES	± -	FINISH	-	PRODUCT SPEC -	SIZE A2	CAGE CODE 00779
0 PLC	± -																	
1 PLC	± -																	
2 PLC	± -																	
3 PLC	± 0.406 [.016]																	
4 PLC	± -																	
ANGLES	± -																	
FINISH	-																	
MATERIAL -		APPLICATION SPEC -	DRAWING NO C=5414045	RESTRICTED TO -														
		WEIGHT -	SCALE 5:1 SHEET 1 of 1 REV A															
		CUSTOMER DRAWING																

单击下面可查看定价，库存，交付和生命周期等信息

[>>TE Connectivity\(泰科\)](#)