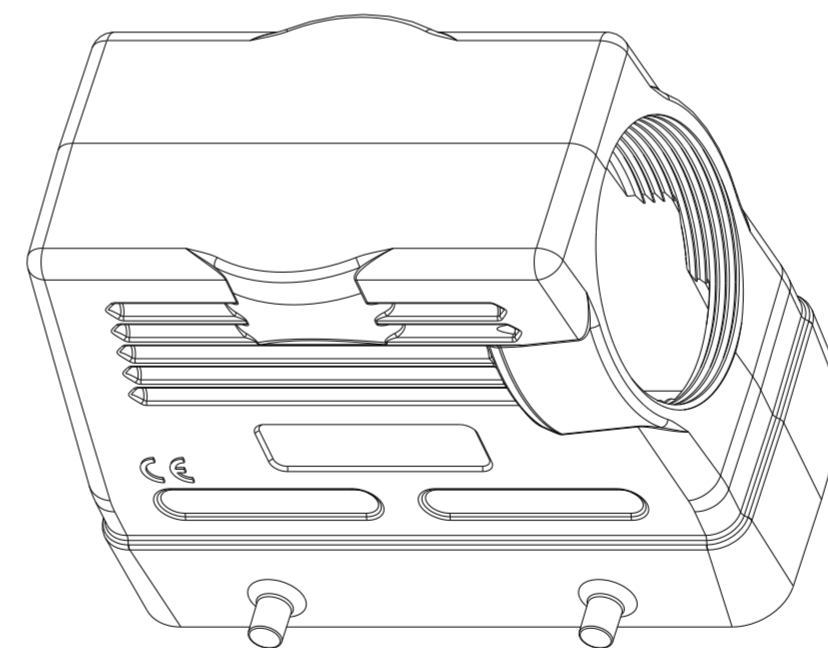
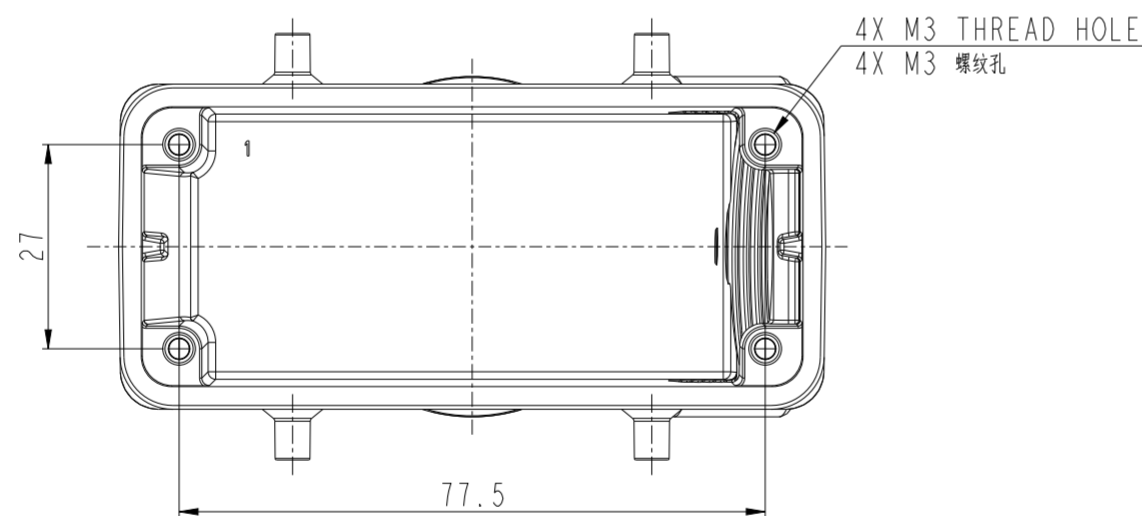
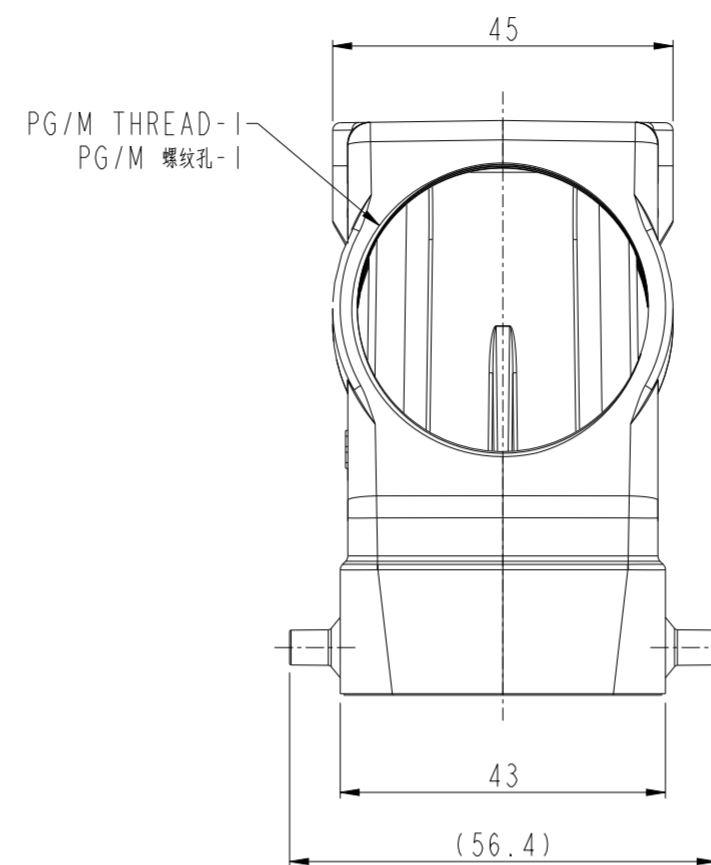
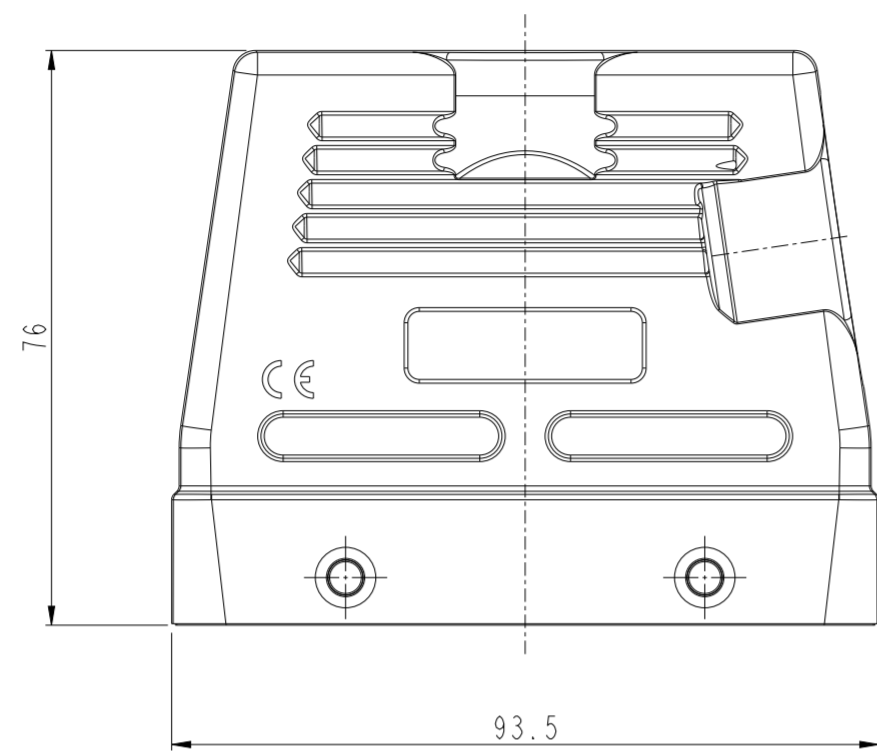


THIS DRAWING IS UNPUBLISHED. RELEASED FOR PUBLICATION 20
 © COPYRIGHT 20 BY - ALL RIGHTS RESERVED.

REVISIONS				
P	LTR	DESCRIPTION	DATE	APVD
A		INITIAL	20AUG2017	QY CW
B		ECR-20-014388	07DEC2020	WOR CW
BI		ECR-21-105138	30JUN2021	WOR CW




TYPE-1:
STANDARD SIDE ENTRY
类型-1:标准侧出

NOTES:

1. TECHNICAL CHARACTERISTICS:
 HOOD MATERIAL: DIE CAST ALUMINIUM ALLOY
 SURFACE: POWDER COATED
 DEGREE OF PROTECTION: IP65 (MATED)

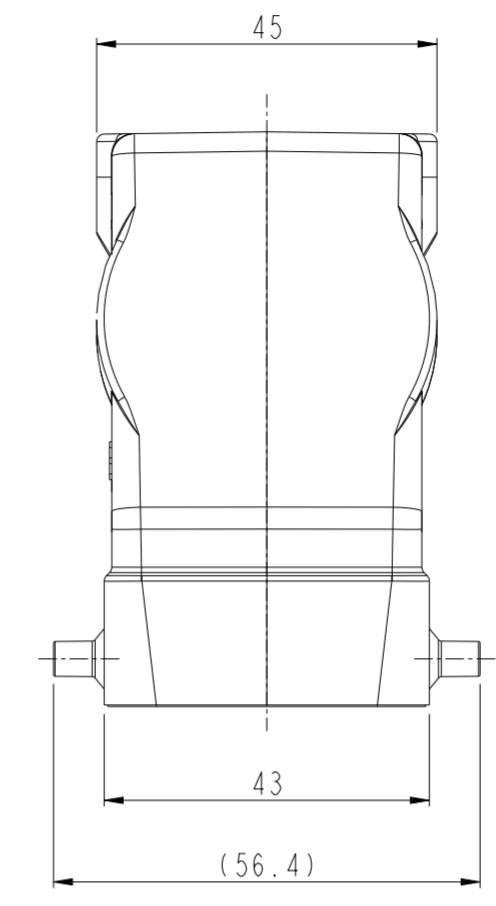
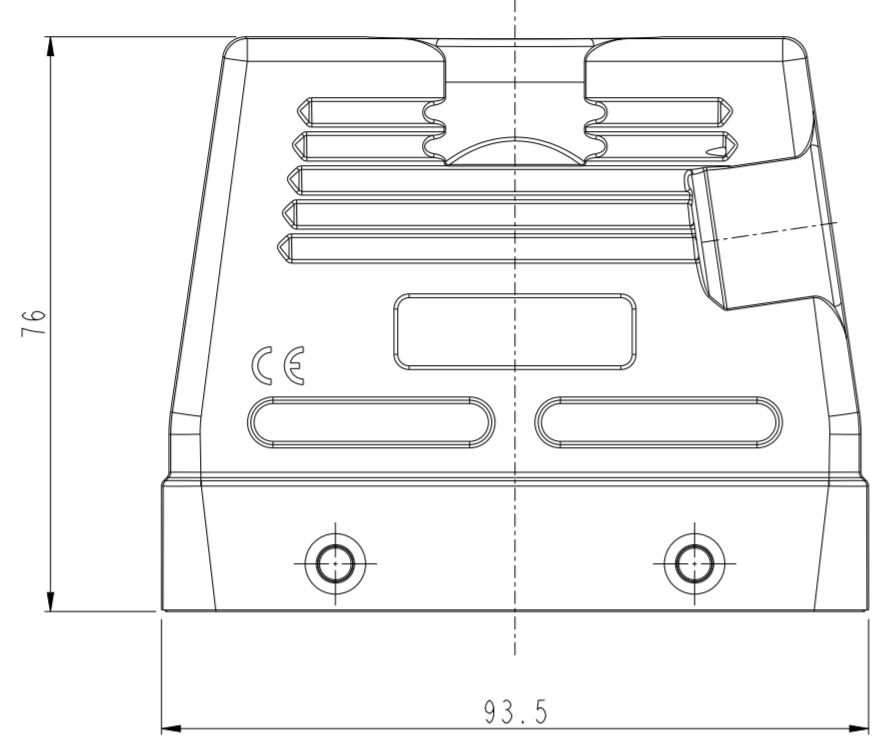
注释:

1. 技术参数:
 外壳材料: 铝合金
 表面处理: 粉末喷涂
 防护等级: IP65(配合)

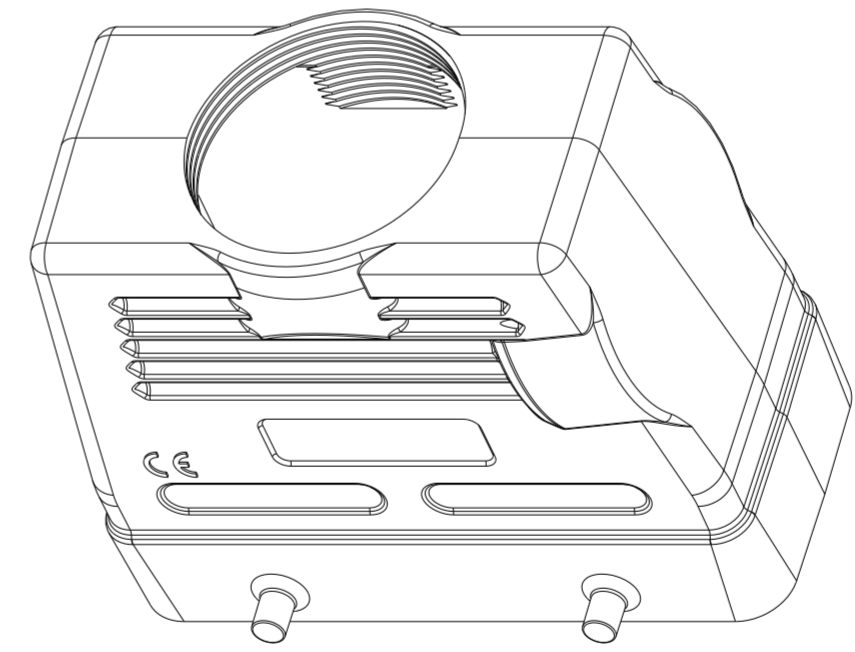
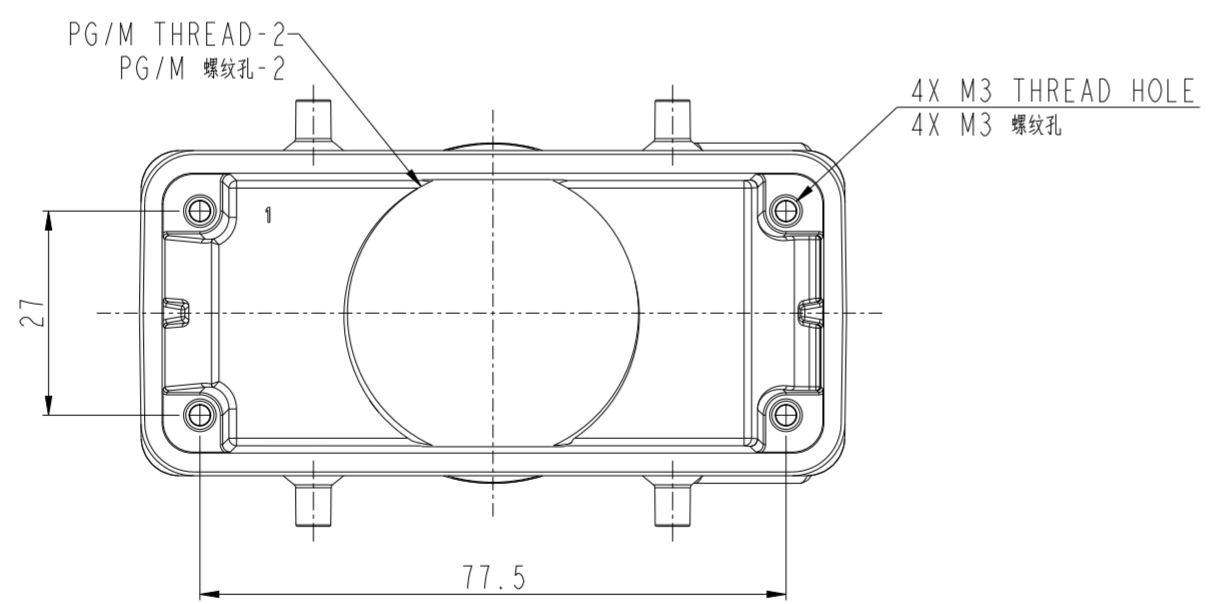
THIS DRAWING IS A CONTROLLED DOCUMENT.		DWN QIANG YUAN 20AUG2017	 TE Connectivity															
DIMENSIONS: mm		CHK GINO YAO 20AUG2017																
TOLERANCES UNLESS OTHERWISE SPECIFIED:		APVD CHRIS WNAG 20AUG2017	NAME HI6B-TGH/TSH-2PG/M															
<table border="1"> <tr><td>0 PLC</td><td>±</td></tr> <tr><td>1 PLC</td><td>±</td></tr> <tr><td>2 PLC</td><td>±</td></tr> <tr><td>3 PLC</td><td>±</td></tr> <tr><td>4 PLC</td><td>±</td></tr> <tr><td>ANGLES</td><td>±</td></tr> <tr><td>FINISH</td><td>±</td></tr> </table>		0 PLC	±	1 PLC	±	2 PLC	±	3 PLC	±	4 PLC	±	ANGLES	±	FINISH	±	PRODUCT SPEC 108-137013	RESTRICTED TO	
0 PLC	±																	
1 PLC	±																	
2 PLC	±																	
3 PLC	±																	
4 PLC	±																	
ANGLES	±																	
FINISH	±																	
MATERIAL		APPLICATION SPEC 114-137013	SIZE A2	CAGE CODE 00779														
		WEIGHT -	DRAWING NO G-TIXX016XXXX002															
		CUSTOMER DRAWING	SCALE 1:2	SHEET 1 OF 4														
			REV BI															

THIS DRAWING IS UNPUBLISHED. RELEASED FOR PUBLICATION 20
 © COPYRIGHT 20 BY - ALL RIGHTS RESERVED.

REVISIONS				
P	LTR	DESCRIPTION	DATE	APVD
-	-	SEE SHEET 1	-	-



NOTE:
 SEE SHEET 1
 注释:
 见页 1



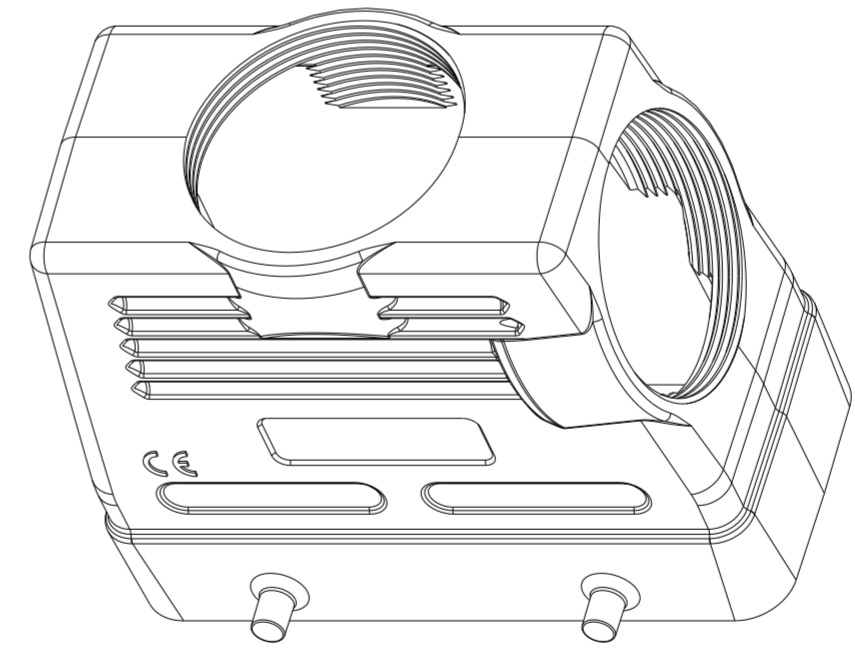
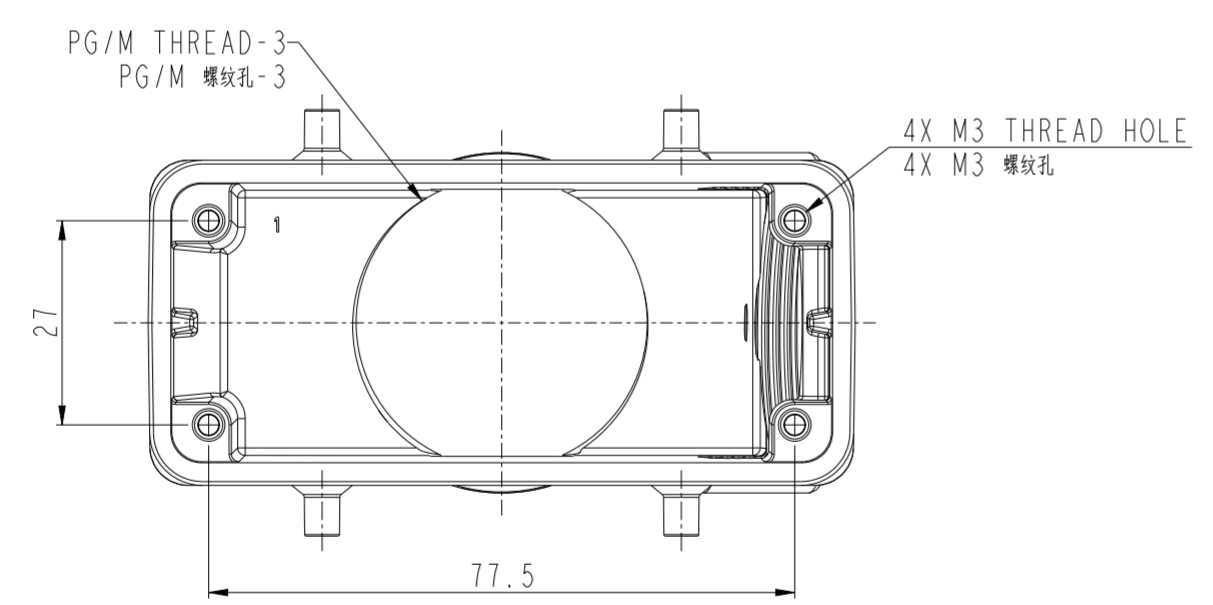
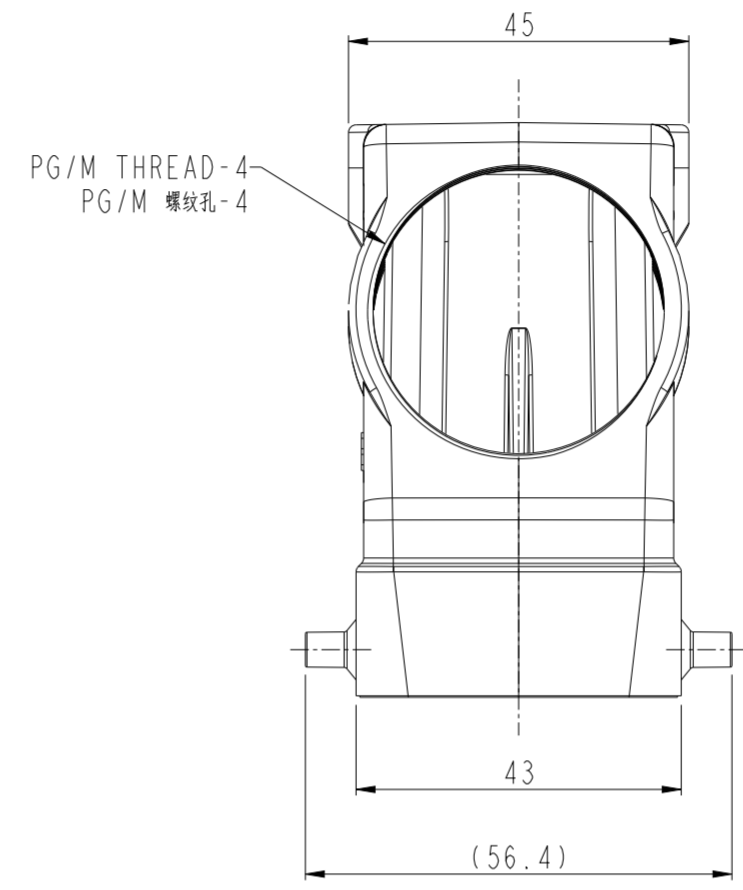
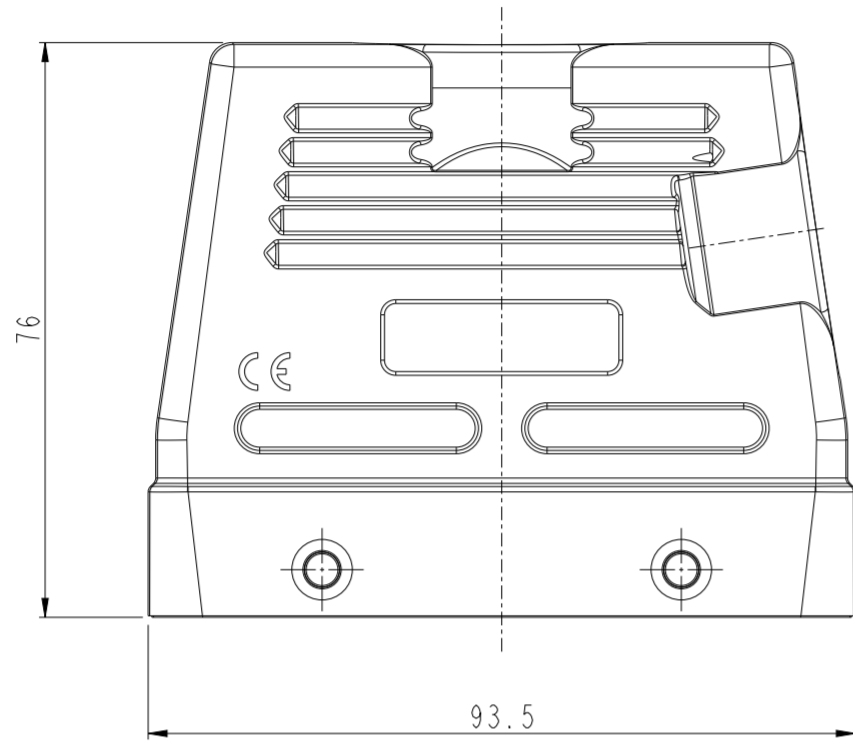
TYPE-2:
 STANDARD TOP ENTRY
 类型-2: 标准顶出

THIS DRAWING IS A CONTROLLED DOCUMENT.		DWN QIANG YUAN 20AUG2017	TE Connectivity	
DIMENSIONS: mm		CHK GINO YAO 20AUG2017		
TOLERANCES UNLESS OTHERWISE SPECIFIED:		APVD CHRIS WNAG 20AUG2017	NAME HI6B-TGH/TSH-2PG/M	
0 PLC ± 1 PLC ± 2 PLC ± 3 PLC ± 4 PLC ± ANGLES ± FINISH ±		PRODUCT SPEC 108-137013	RESTRICTED TO	
MATERIAL		APPLICATION SPEC 114-137013	SIZE A2	CAGE CODE 00779
		WEIGHT -	DRAWING NO G-TIXX016XXXX002	
		CUSTOMER DRAWING	SCALE 1:2	SHEET 2 OF 4
			REV B1	


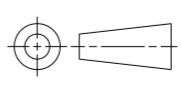
THIS DRAWING IS UNPUBLISHED. RELEASED FOR PUBLICATION 20
 © COPYRIGHT 20 BY - ALL RIGHTS RESERVED.

REVISIONS				
P	LTR	DESCRIPTION	DATE	APVD
-	-	SEE SHEET 1	-	-

NOTE:
 SEE SHEET 1
 注释:
 见页1



TYPE-3:
 STANDARD SIDE ENTRY
 AND TOP ENTRY
 类型-3: 标准侧出和顶出

THIS DRAWING IS A CONTROLLED DOCUMENT.		DWN QIANG YUAN 20AUG2017	 TE Connectivity	
DIMENSIONS: mm		CHK GINO YAO 20AUG2017		
TOLERANCES UNLESS OTHERWISE SPECIFIED:		APVD CHRIS WNAG 20AUG2017	NAME HI6B-TGH/TSH-2PG/M	
 0 PLC ± 1 PLC ± 2 PLC ± 3 PLC ± 4 PLC ± ANGLES ± FINISH		PRODUCT SPEC 108-137013	RESTRICTED TO	
MATERIAL		APPLICATION SPEC 114-137013	SIZE A2	CAGE CODE 00779
		WEIGHT -	DRAWING NO C-TIXX016XXXX002	
		CUSTOMER DRAWING	SCALE 1:1	SHEET 3 OF 4
			REV B1	

THIS DRAWING IS UNPUBLISHED. RELEASED FOR PUBLICATION 20
 © COPYRIGHT 20 BY - ALL RIGHTS RESERVED.

REVISIONS				
P	LTR	DESCRIPTION	DATE	APVD
-		SEE SHEET 1	-	-

NOTE:
 SEE SHEET 1
 注释:
 见页1

TI230164040-002	HI6B-TGH/TSH-2M40	HI6B HOOD, TOP ENTRY M40, SIDE ENTRY M40, 4 EAR, HIGH CONSTRUCTION, POWDER COATED, DEEP GREY, NO LOGO HI6B上壳, 顶出M40, 侧出M40, 4耳, 高结构, 深灰色粉末喷涂, 无LOGO	-	-	M40X1.5	M40X1.5	TYPE-3: STANDARD SIDE ENTRY AND TOP ENTRY 类型-3: 标准侧出和顶出
TI230164025-002	HI6B-TGH/TSH-M40/M25	HI6B HOOD, TOP ENTRY M40, SIDE ENTRY M25, 4 EAR, HIGH CONSTRUCTION, POWDER COATED, DEEP GREY, NO LOGO HI6B上壳, 顶出M40, 侧出M25, 4耳, 高结构, 深灰色粉末喷涂, 无LOGO	-	-	M40X1.5	M25X1.5	
TI230162540-002	HI6B-TGH/TSH-M25/M40	HI6B HOOD, TOP ENTRY M25, SIDE ENTRY M40, 4 EAR, HIGH CONSTRUCTION, POWDER COATED, DEEP GREY, NO LOGO HI6B上壳, 顶出M25, 侧出M40, 4耳, 高结构, 深灰色粉末喷涂, 无LOGO	-	-	M25X1.5	M40X1.5	
TI230162532-002	HI6B-TGH/TSH-M25/M32	HI6B HOOD, TOP ENTRY M25, SIDE ENTRY M32, 4 EAR, HIGH CONSTRUCTION, POWDER COATED, DEEP GREY, NO LOGO HI6B上壳, 顶出M25, 侧出M32, 4耳, 高结构, 深灰色粉末喷涂, 无LOGO	-	-	M25X1.5	M32X1.5	
TI230163232-002	HI6B-TGH/TSH-2M32	HI6B HOOD, TOP ENTRY M32, SIDE ENTRY M32, 4 EAR, HIGH CONSTRUCTION, POWDER COATED, DEEP GREY, NO LOGO HI6B上壳, 顶出M32, 侧出M32, 4耳, 高结构, 深灰色粉末喷涂, 无LOGO	-	-	M32X1.5	M32X1.5	TYPE-2: STANDARD TOP ENTRY 类型-2: 标准顶出
TI240160140-002	HI6B-TGH-M40	HI6B HOOD, TOP ENTRY M40, 4 EAR, HIGH CONSTRUCTION, POWDER COATED, DEEP GREY, NO LOGO HI6B上壳, 顶出M40, 4耳, 高结构, 深灰色粉末喷涂, 无LOGO	-	M40X1.5	-	-	
TI240160132-002	HI6B-TGH-M32	HI6B HOOD, TOP ENTRY M32, 4 EAR, HIGH CONSTRUCTION, POWDER COATED, DEEP GREY, NO LOGO HI6B上壳, 顶出M32, 4耳, 高结构, 深灰色粉末喷涂, 无LOGO	-	M32X1.5	-	-	
TI240160125-002	HI6B-TGH-M25	HI6B HOOD, TOP ENTRY M25, 4 EAR, HIGH CONSTRUCTION, POWDER COATED, DEEP GREY, NO LOGO HI6B上壳, 顶出M25, 4耳, 高结构, 深灰色粉末喷涂, 无LOGO	-	M25X1.5	-	-	
TI240160120-002	HI6B-TGH-M20	HI6B HOOD, TOP ENTRY M20, 4 EAR, HIGH CONSTRUCTION, POWDER COATED, DEEP GREY, NO LOGO HI6B上壳, 顶出M20, 4耳, 高结构, 深灰色粉末喷涂, 无LOGO	-	M20X1.5	-	-	
TI240160129-002	HI6B-TGH-PG29	HI6B HOOD, TOP ENTRY PG29, 4 EAR, HIGH CONSTRUCTION, POWDER COATED, DEEP GREY, NO LOGO HI6B上壳, 顶出PG29, 4耳, 高结构, 深灰色粉末喷涂, 无LOGO	-	PG29	-	-	
TI240160121-002	HI6B-TGH-PG21	HI6B HOOD, TOP ENTRY PG21, 4 EAR, HIGH CONSTRUCTION, POWDER COATED, DEEP GREY, NO LOGO HI6B上壳, 顶出PG21, 4耳, 高结构, 深灰色粉末喷涂, 无LOGO	-	PG21	-	-	TYPE-1: STANDARD SIDE ENTRY 类型-1: 标准侧出
TI230160140-002	HI6B-TSH-M40	HI6B HOOD, SIDE ENTRY M40, 4 EAR, HIGH CONSTRUCTION, POWDER COATED, DEEP GREY, NO LOGO HI6B上壳, 侧出M40, 4耳, 高结构, 深灰色粉末喷涂, 无LOGO	M40X1.5	-	-	-	
TI230160132-002	HI6B-TSH-M32	HI6B HOOD, SIDE ENTRY M32, 4 EAR, HIGH CONSTRUCTION, POWDER COATED, DEEP GREY, NO LOGO HI6B上壳, 侧出M32, 4耳, 高结构, 深灰色粉末喷涂, 无LOGO	M32X1.5	-	-	-	
TI230160125-002	HI6B-TSH-M25	HI6B HOOD, SIDE ENTRY M25, 4 EAR, HIGH CONSTRUCTION, POWDER COATED, DEEP GREY, NO LOGO HI6B上壳, 侧出M25, 4耳, 高结构, 深灰色粉末喷涂, 无LOGO	M25X1.5	-	-	-	
TI230160120-002	HI6B-TSH-M20	HI6B HOOD, SIDE ENTRY M20, 4 EAR, HIGH CONSTRUCTION, POWDER COATED, DEEP GREY, NO LOGO HI6B上壳, 侧出M20, 4耳, 高结构, 深灰色粉末喷涂, 无LOGO	M20X1.5	-	-	-	
TI230160129-002	HI6B-TSH-PG29	HI6B HOOD, SIDE ENTRY PG29, 4 EAR, HIGH CONSTRUCTION, POWDER COATED, DEEP GREY, NO LOGO HI6B上壳, 侧出PG29, 4耳, 高结构, 深灰色粉末喷涂, 无LOGO	PG29	-	-	-	
TI230160121-002	HI6B-TSH-PG21	HI6B HOOD, SIDE ENTRY PG21, 4 EAR, HIGH CONSTRUCTION, POWDER COATED, DEEP GREY, NO LOGO HI6B上壳, 侧出PG21, 4耳, 高结构, 深灰色粉末喷涂, 无LOGO	PG21	-	-	-	
PART NUMBER 料号	PART DESCRIPTION 描述		PG/M THREAD-1 PG/M 螺纹孔-1	PG/M THREAD-2 PG/M 螺纹孔-2	PG/M THREAD-3 PG/M 螺纹孔-3	PG/M THREAD-4 PG/M 螺纹孔-4	TYPE 类型

THIS DRAWING IS A CONTROLLED DOCUMENT.

DWN: QIANG YUAN 20AUG2017
 CHK: GINO YAO 20AUG2017
 APVD: CHRIS WNAG 20AUG2017

STE TE Connectivity

NAME: HI6B-TGH/TSH-2PG/M

PRODUCT SPEC: 108-137013
 APPLICATION SPEC: 114-137013

SIZE: A2 CAGE CODE: 00779 DRAWING NO: C-TIXX016XXXX002 RESTRICTED TO

WEIGHT: -

CUSTOMER DRAWING SCALE: 1:2 SHEET: 4 OF 4 REV: B1

单击下面可查看定价，库存，交付和生命周期等信息

[>>TE Connectivity\(泰科\)](#)