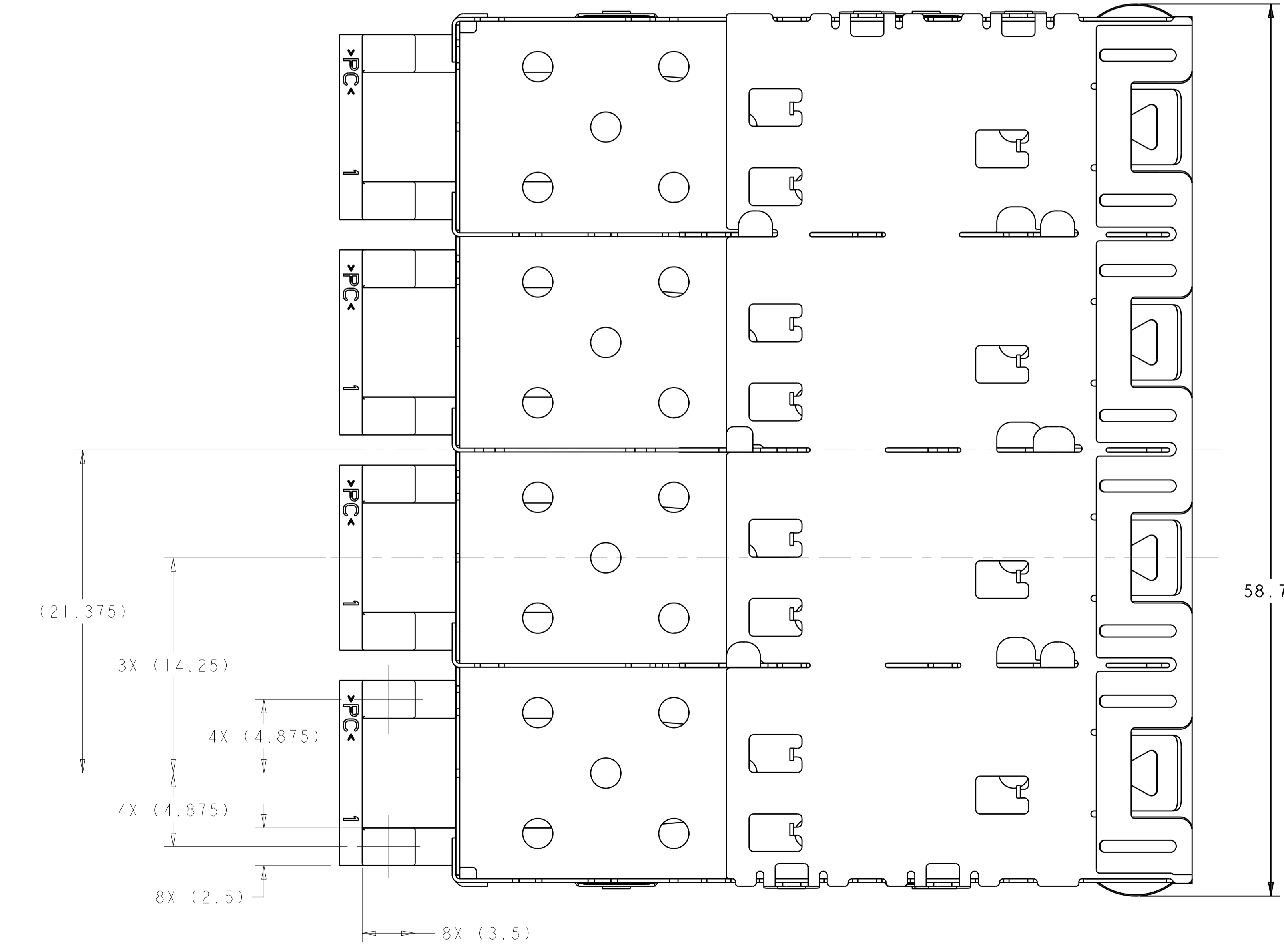
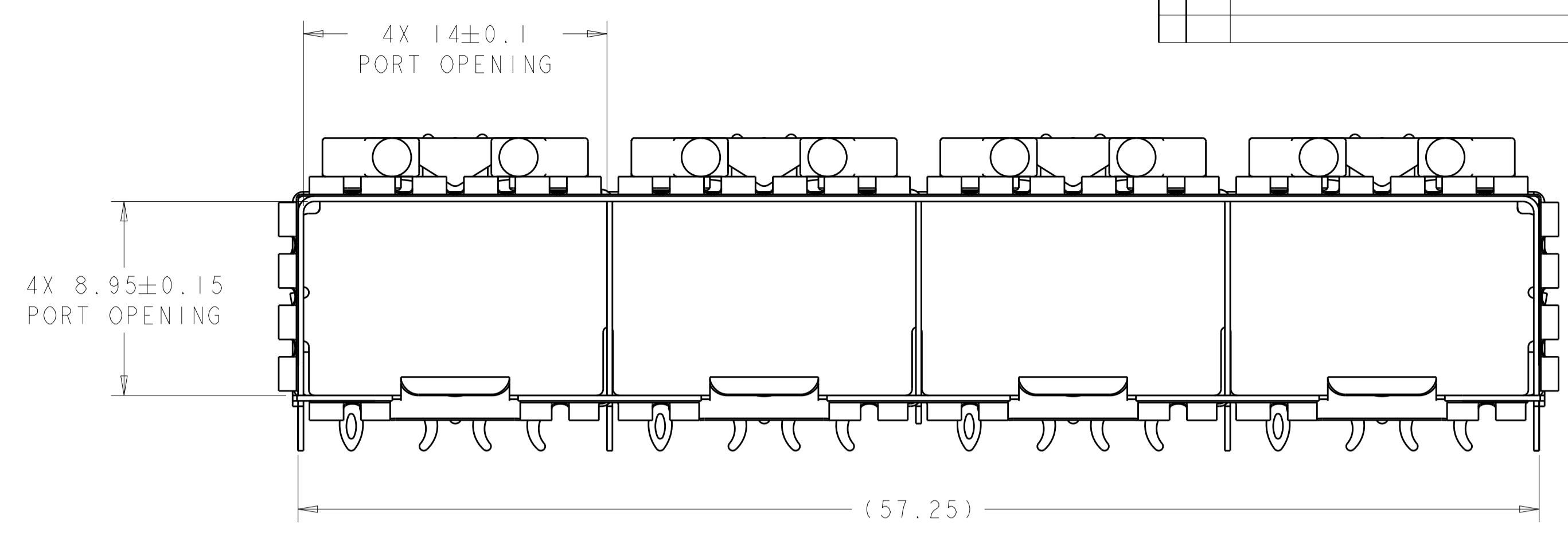
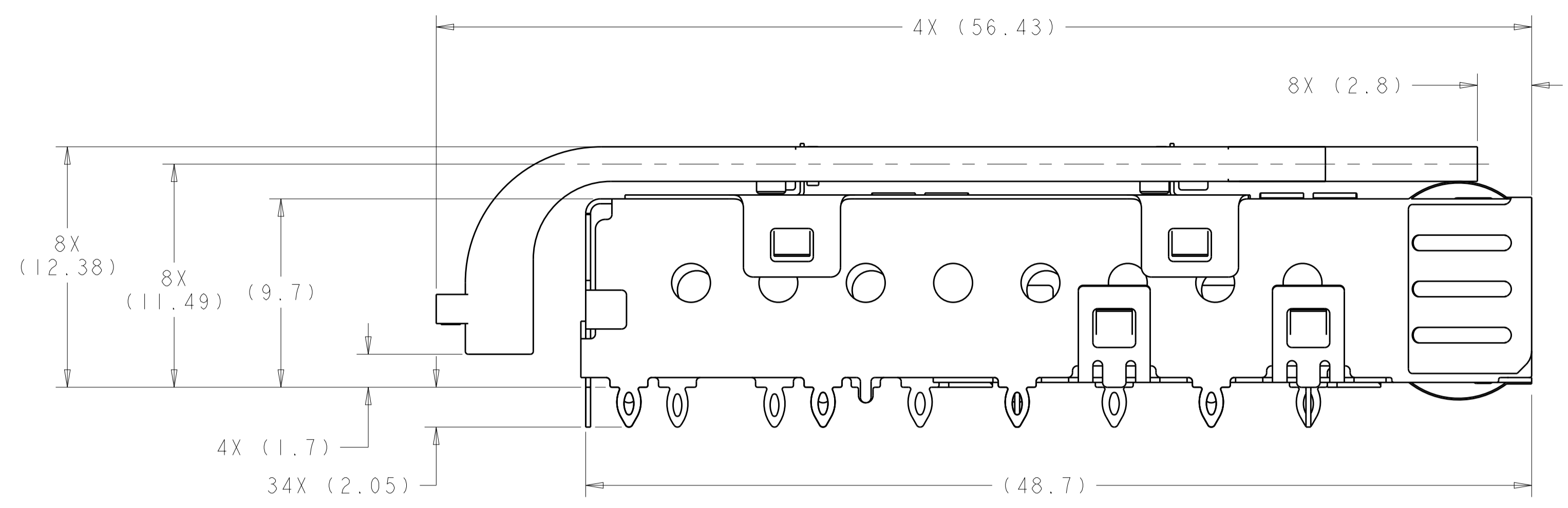
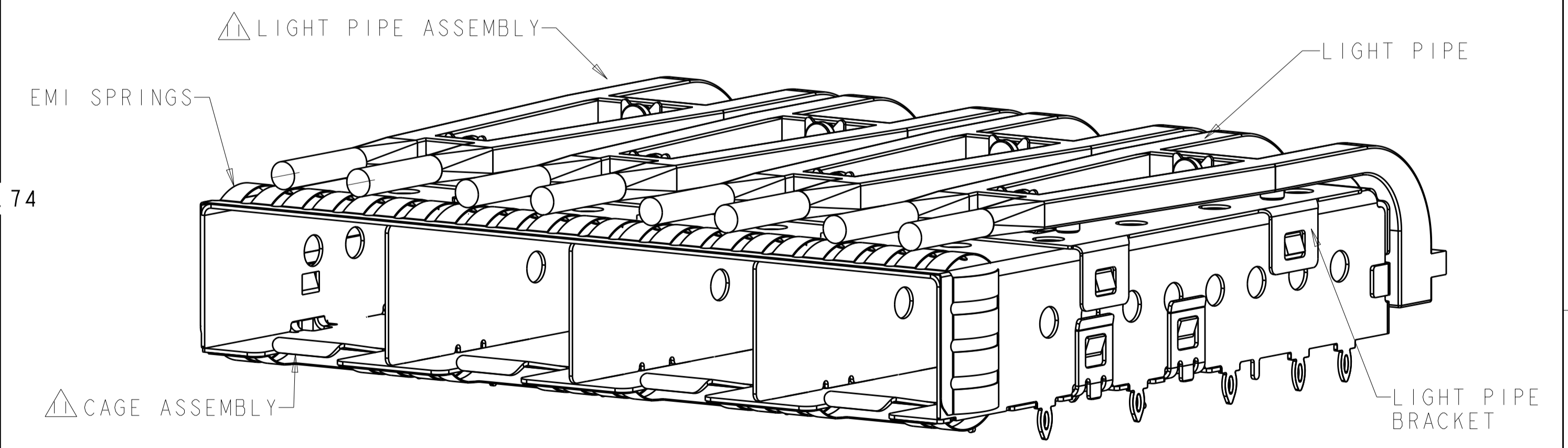


LOC		DIST		REVISIONS			
GP	00	P	LTN	DESCRIPTION	DATE	DWN	APVD
		A		RELEASED	26FEB2016	JW	SH



- △ MATERIAL:  
 CAGE ASSEMBLY: 0.25mm THICK NICKEL SILVER ALLOY  
 LIGHT PIPE BRACKET: STAINLESS STEEL  
 LIGHT PIPE: POLYCARBONATE, CLEAR
- △ FINISH:  
 SPRINGS: MINIMUM OF 0.8um TIN PLATE OVER A MINIMUM OF 0.8um NICKEL UNDERPLATE.  
 NON-PLATED EDGES PERMISSIBLE.
- △ PADS AND VIAS CHASSIS GROUND.
- △ DATUM AND BASIC DIMENSION ESTABLISHED BY CUSTOMER.
- 5. MATES WITH SFP MSA COMPLIANT TRANSCEIVERS.
- 6. INTERPRETATION OF DATUM REFERENCE FRAME IN ACCORDANCE WITH SECT 4.4.1.1 OF ASME Y14.5M-1994.
- △ REFERENCE APPLICATION SPEC. 114-13120, HOLE A, FOR RECOMMENDED DRILL HOLE DIAMETER AND PLATING THICKNESS.
- △ REFERENCE APPLICATION SPEC. 114-13120, HOLE B, FOR RECOMMENDED DRILL HOLE DIAMETER AND PLATING THICKNESS.
- △ HOLE PATTERN REPEATS FOR EACH PORT. SPACING BETWEEN PORTS IS 14.25mm.
- △ MINIMUM PC BOARD THICKNESS:  
 SINGLE SIDED = 1.50  
 DOUBLE SIDED = 2.25
- △ LIGHT PIPE ASSEMBLY SHIPPED UNASSEMBLED TO CAGE ASSEMBLY. CAGE ASSEMBLY TO BE PRESSED INTO THE PCB PRIOR TO ATTACHING THE LIGHT PIPE ASSEMBLY TO THE CAGE.
- 12. CERTAIN MATING TRANSCEIVERS MAY REQUIRE ADDITIONAL PCB THICKNESS THAT WOULD BE DETERMINED BY THE CUSTOMER.
- 13. PRODUCT COMPLIES WITH SPECIFICATION SFF-8433 IMPROVED PLUGGABLE FROM FACTOR FOR SFP+ GANGED CAGES.

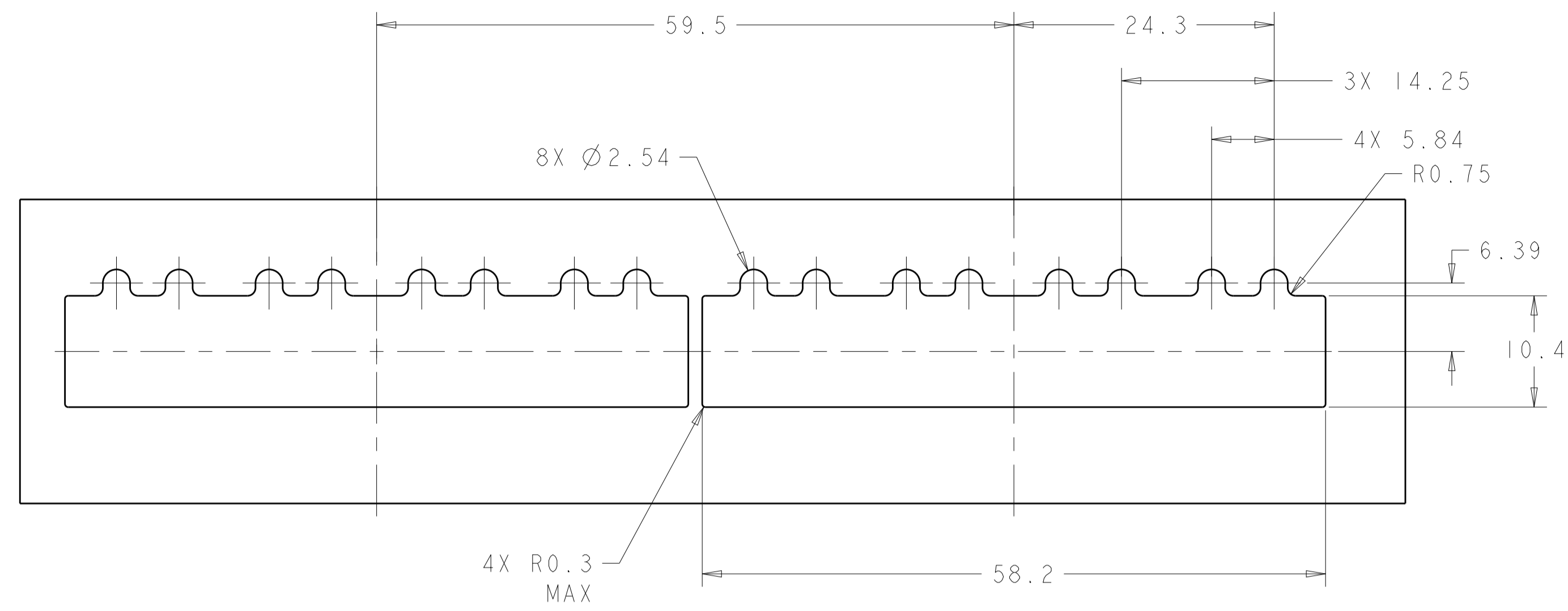


2170030-1  
 FINISHED ASSEMBLY  
 SCALE 4:1

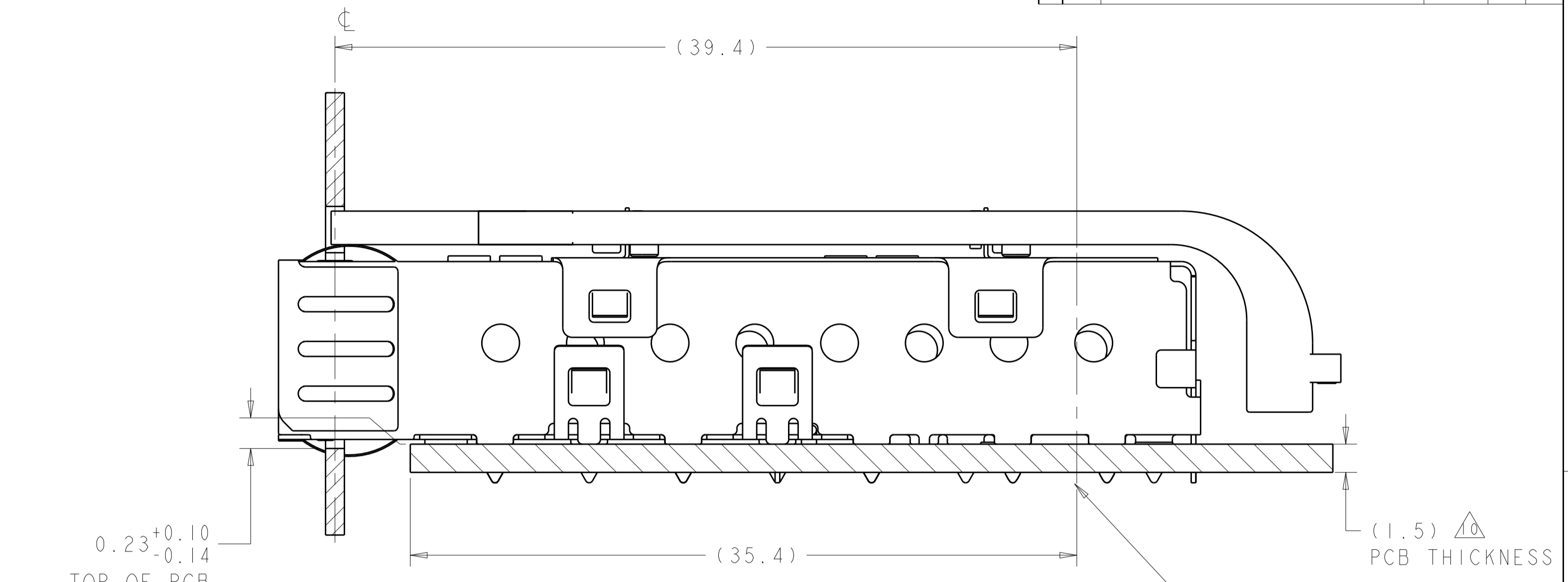
2170030-1  
 PART NUMBER

THIS DRAWING IS A CONTROLLED DOCUMENT.		DWN T. XUE	Z0DEC2010	TE Connectivity
DIMENSIONS:		CHK C. WANG	Z0DEC2010	
TOLERANCES UNLESS OTHERWISE SPECIFIED:		APVD C. WANG	Z0DEC2010	NAME
mm	0 PLC ±0.1	PRODUCT SPEC		SFP+ 1X4 CAGE ASSEMBLY
	1 PLC ±0.1	108-2364		PRESS FIT, EXTERNAL EMI SPRINGS
	3 PLC ±0.1	APPLICATION SPEC		WITH ULTRA LOW PROFILE LIGHT PIPES
	4 PLC ±0.1	114-13120		SIZE
	ANGLES ±0.1	WEIGHT		A100779C=2170030
MATERIAL	FINISH	CUSTOMER DRAWING		RESTRICTED TO
		SCALE 5:1		SHEET 1 OF 4
				REV A

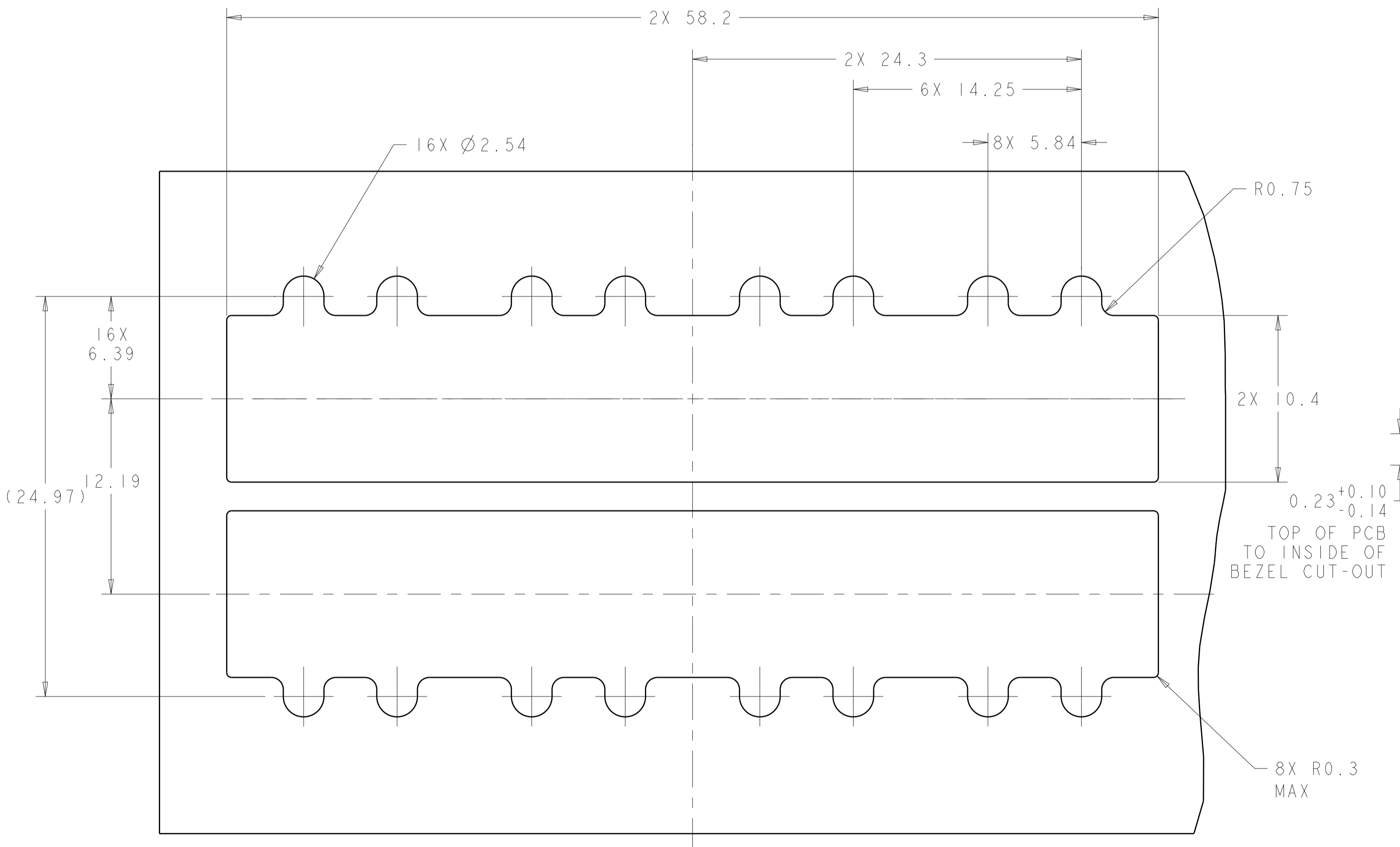
LOC		DIST		REVISIONS			
GP	00	P	LTN	DESCRIPTION	DATE	DMN	APVD
		-		SEE SHEET 1			



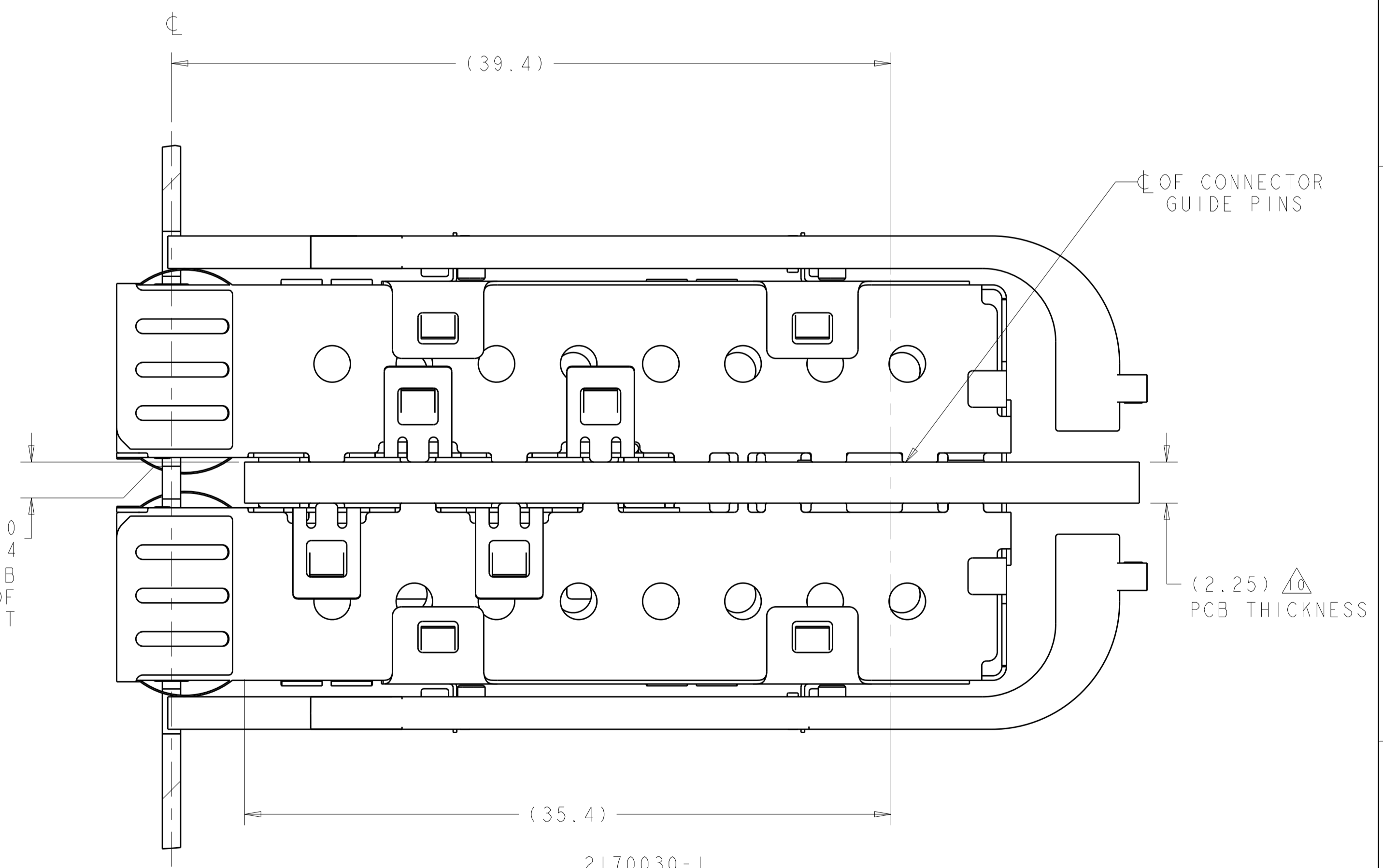
RECOMMENDED BEZEL CUT-OUT  
 SINGLE SIDED APPLICATIONS  
 SCALE 5:2



2170030-1  
 MOUNTED ON PC BOARD  
 SHOWN THRU RECOMMENDED BEZEL



RECOMMENDED BEZEL CUT-OUT  
 BELLY TO BELLY APPLICATIONS

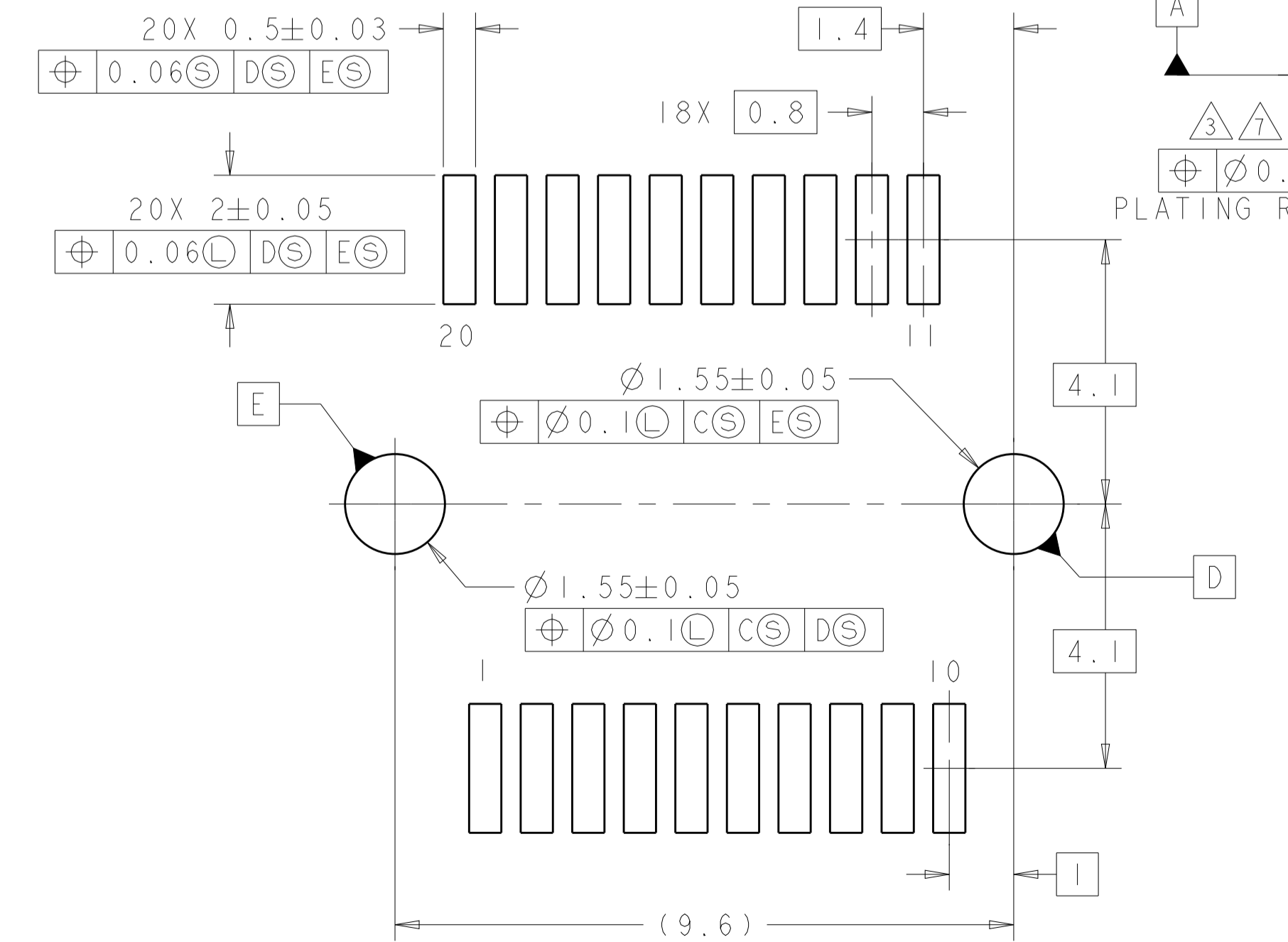
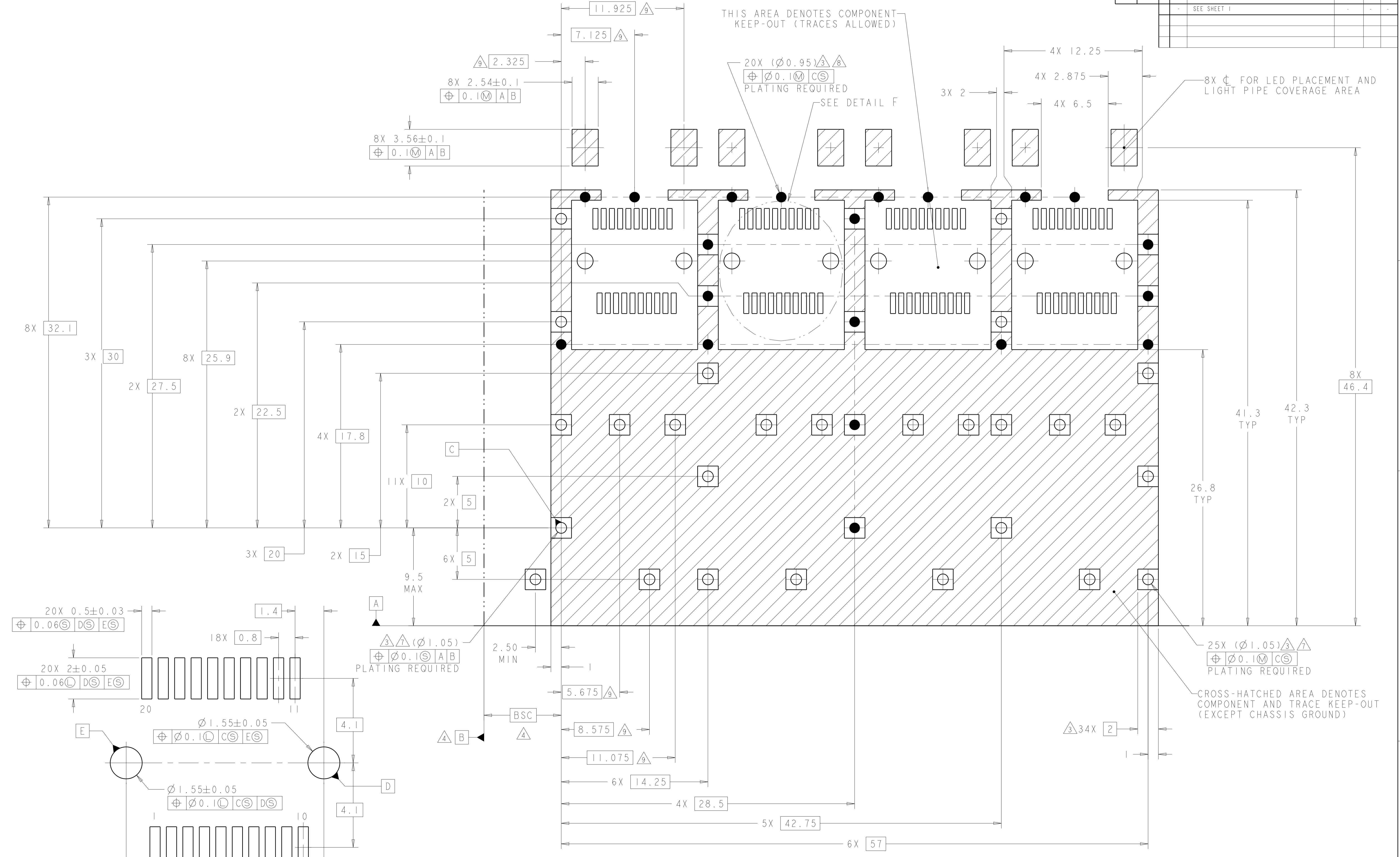


2170030-1  
 MOUNTED BELLY TO BELLY ON PC BOARD  
 SHOWN THRU RECOMMENDED BEZEL

THIS DRAWING IS A CONTROLLED DOCUMENT.		DMN T. XUE	Z0DEC2010	TE Connectivity
DIMENSIONS:		CHK C. WANG	Z0DEC2010	
mm	TOLERANCES UNLESS OTHERWISE SPECIFIED:	APVD C. WANG	Z0DEC2010	NAME
0 PLC	±0.1	PRODUCT SPEC		SFP+ 1X4 CAGE ASSEMBLY
1 PLC	±0.1	APPLICATION SPEC		PRESS FIT, EXTERNAL EMI SPRINGS
2 PLC	±0.1	SIZE	114-13120	WITH ULTRA LOW PROFILE LIGHT PIPES
3 PLC	±0.1	WEIGHT		
4 PLC	±0.1	CUSTOMER DRAWING		
ANGLES	±1°	SCALE	5:1	SHEET 2 OF 4
MATERIAL		REV	A	

LOC	DIST	REV	DATE	OWN	APPD
GP	00				

REVISIONS			
REV	DATE	OWN	APPD
-	-	-	-
-	-	-	-

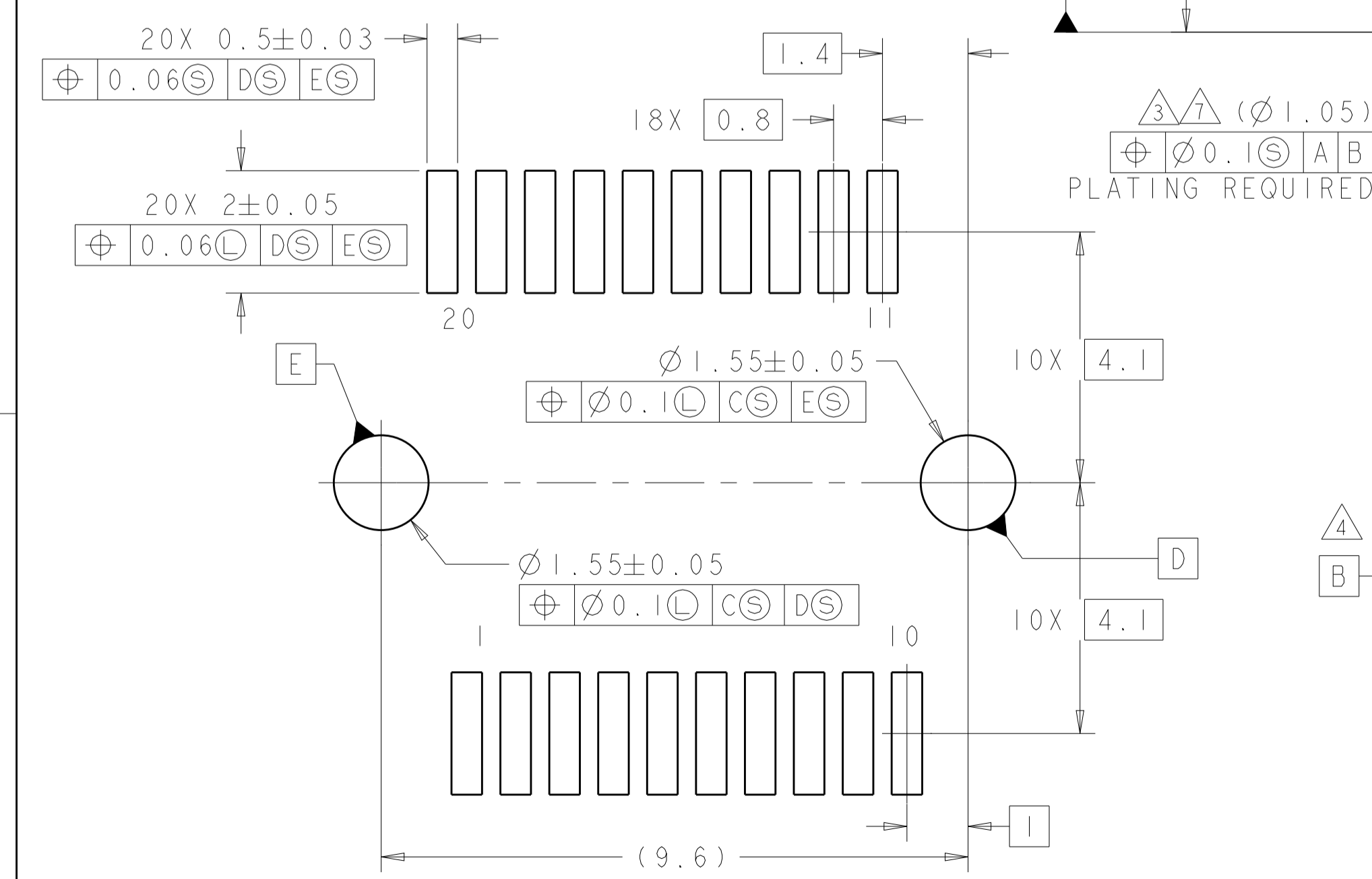
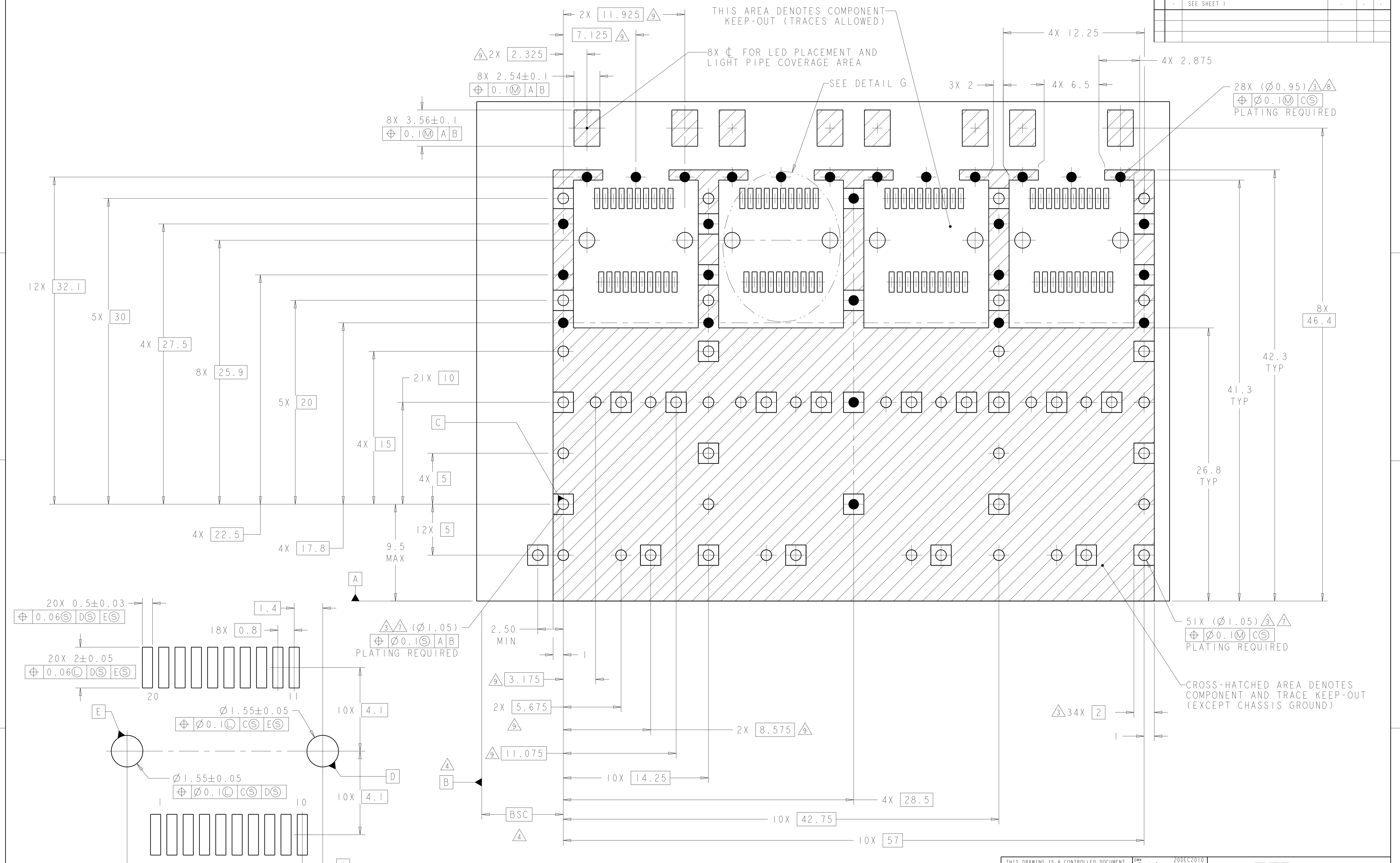


RECOMMENDED PCB CONFIGURATION  
 WITH KEEP-OUT AREAS  
 SINGLE SIDED APPLICATIONS  $\Delta$   
 SCALE 6:1

THIS DRAWING IS A CONTROLLED DOCUMENT.		OWN T. XUE Z0DEC2010	TE Connectivity														
DIMENSIONS: mm		CHK C. WANG Z0DEC2010															
TOLERANCES UNLESS OTHERWISE SPECIFIED:		APVD C. WANG Z0DEC2010	NAME SFP+ 1X4 CAGE ASSEMBLY PRESS FIT, EXTERNAL EMI SPRINGS WITH ULTRA LOW PROFILE LIGHT PIPES														
<table border="1"> <tr> <td>0 PLC</td> <td>±0.1</td> </tr> <tr> <td>1 PLC</td> <td>±0.1</td> </tr> <tr> <td>2 PLC</td> <td>±0.1</td> </tr> <tr> <td>3 PLC</td> <td>±0.1</td> </tr> <tr> <td>4 PLC</td> <td>±0.1</td> </tr> <tr> <td>ANGLES</td> <td>±0.1</td> </tr> <tr> <td>FINISH</td> <td>±1°</td> </tr> </table>		0 PLC	±0.1	1 PLC	±0.1	2 PLC	±0.1	3 PLC	±0.1	4 PLC	±0.1	ANGLES	±0.1	FINISH	±1°	PRODUCT SPEC 108-2364	SIZE 114-13120
0 PLC	±0.1																
1 PLC	±0.1																
2 PLC	±0.1																
3 PLC	±0.1																
4 PLC	±0.1																
ANGLES	±0.1																
FINISH	±1°																
MATERIAL		APPLICATION SPEC	WEIGHT														
CUSTOMER DRAWING		SCALE 5:1	SHEET 3 OF 4														



LOC	DIST	REVISIONS			
GP	00	REV	DATE	BY	APPD
		1			
		2			
		3			
		4			
		5			
		6			
		7			
		8			
		9			
		10			



DETAIL G  
 RECOMMENDED PT CONNECTOR LAYOUT  
 8X INDIVIDUALLY  
 SCALE 12:1

RECOMMENDED PCB CONFIGURATION  
 WITH KEEP-OUT AREAS  
 BELLY TO BELLY APPLICATIONS  $\Delta$   
 SCALE 6:1

THIS DRAWING IS A CONTROLLED DOCUMENT.		OWN: T. XUE Z0DEC2010	TE Connectivity
DIMENSIONS: mm		CHK: C. WANG Z0DEC2010	
TOLERANCES UNLESS OTHERWISE SPECIFIED:		APPD: C. WANG Z0DEC2010	NAME: SFP+ 1X4 CAGE ASSEMBLY
0 PLC $\pm 0.1$ 1 PLC $\pm 0.1$ 2 PLC $\pm 0.1$ 3 PLC $\pm 0.1$ 4 PLC $\pm 0.1$ ANGLES $\pm 0.1$		PRODUCT SPEC: 108-2364	PRESS FIT, EXTERNAL EMI SPRINGS
MATERIAL: FINISH: $\pm 1^{\circ}$		APPLICATION SPEC: 114-13120	WITH ULTRA LOW PROFILE LIGHT PIPES
CUSTOMER DRAWING		WEIGHT: A100779	SIZE: CAGE CODE: DRAWING NO: 2170030
SCALE: 5:1		SHEET: 4 OF 4	REV: A

单击下面可查看定价，库存，交付和生命周期等信息

[>>TE Connectivity\(泰科\)](#)