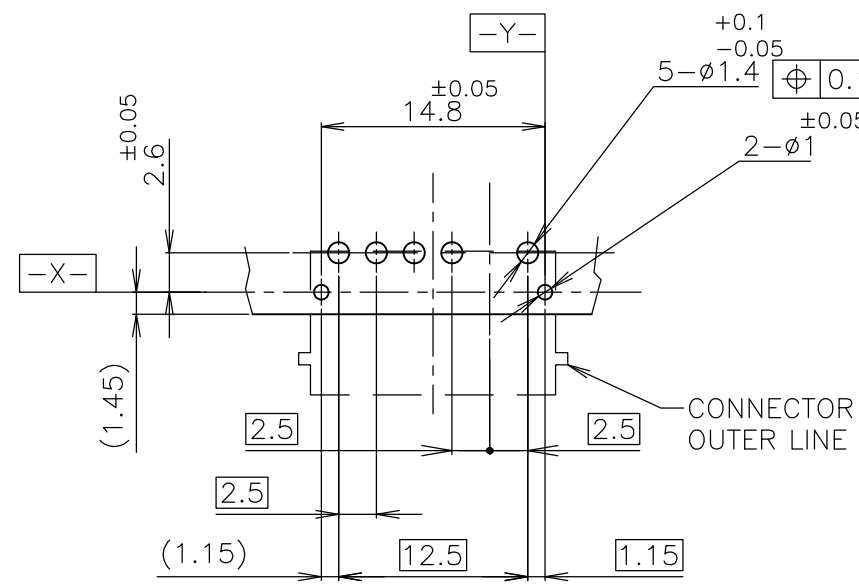
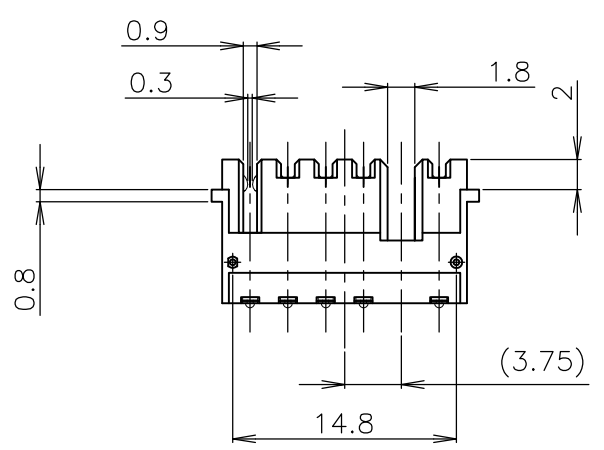
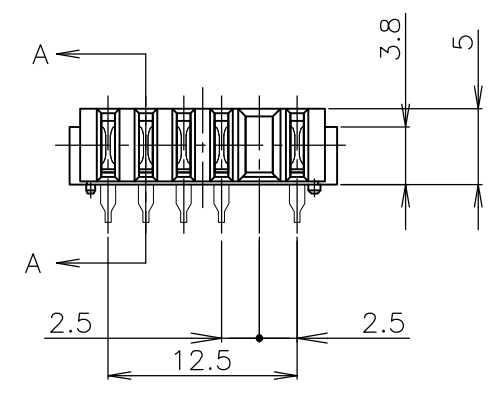
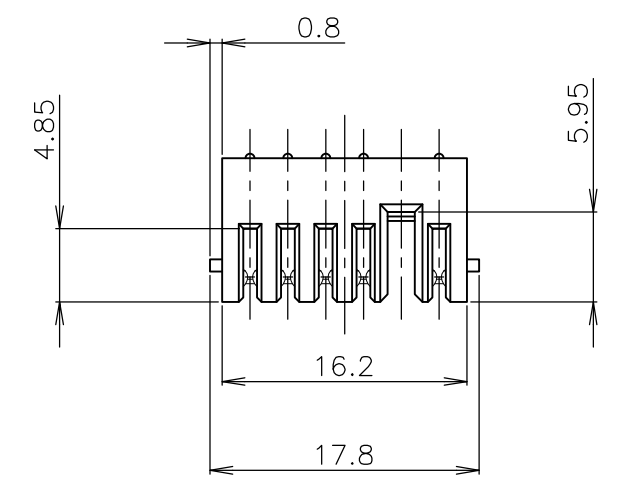
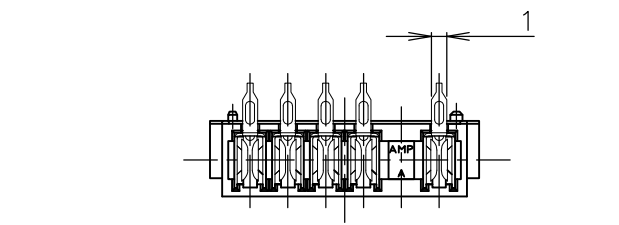
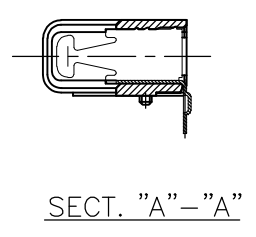
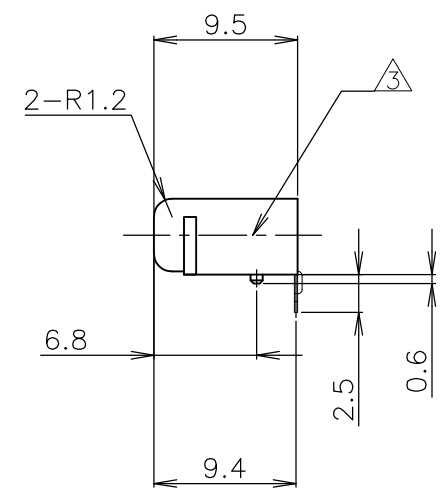


THIS DRAWING IS UNPUBLISHED. RELEASED FOR PUBLICATION 2001.  
 © COPYRIGHT 2001 Tyco Electronics Japan G.K. ALL RIGHTS RESERVED.

LOC	DIST	REVISIONS					
		P	LTR	DESCRIPTION	DATE	DWN	APVD
J			C1	REVISED (ECR-14-017817)	24FEB2015	E.L	V.P
			-	-	-	-	-
			-	-	-	-	-
			-	-	-	-	-



基板取付推奨寸法  
 RECOMMENDED P.C.BOARD LAYOUT  
 P.C.BOARD THK 0.8~1.2  
 (VIEW FROM CONNECTOR MOUNTING SIDE)



- 注記
- ① 材料 ハウジング：熱可塑性樹脂 UL94V-0  
色；黒  
コンタクト：銅合金
  - ② 仕上げ コンタクト：Ni 下地めっき  
半田付け部 Sn めっき（半光沢）  
接触部 Au めっき
  - ③ 指示する位置にレーザーマーキング有り

- NOTES
- ① MATERIAL HOUSING : THERMOPLASTIC RESIN, UL94V-0  
COLOR ; BLACK  
CONTACT : COPPER ALLOY
  - ② FINISH CONTACT : Ni ALL OVER UNDER PL  
Sn PLATE(MATTE) AT LEAD AREA  
Au PL. AT CONTACT AREA
  - ③ LASER MARKING TO THIS POSITION

1473971-2 :AS SHOW

THIS DRAWING IS A CONTROLLED DOCUMENT.		DWN M.IWASAKI 07AUG01	TE Connectivity	
		CHK T.KUSUHARA 07AUG01		
		APVD I.ENOMOTO 07AUG01	NAME	
DIMENSIONS: mm		PRODUCT SPEC 108-5783	RECEPTACLE ASSEMBLY FOR 2.5mm PITCH 2ND BATTERY CONNECTOR	
TOLERANCES UNLESS OTHERWISE SPECIFIED:		APPLICATION SPEC	SIZE	CAGE CODE
0 PLC ± 0.3	1 PLC ± 0.3	WEIGHT	A3	00779
2 PLC ± 0.3	3 PLC ± 0.3	DRAWING NO		C-1473971
4 PLC ± 0.3	ANGLES ± 3°	RESTRICTED TO		-
MATERIAL ①	FINISH ②	CUSTOMER DRAWING		SCALE 2:1
		SHEET 1 OF 1		REV C1

单击下面可查看定价，库存，交付和生命周期等信息

[>>TE Connectivity\(泰科\)](#)