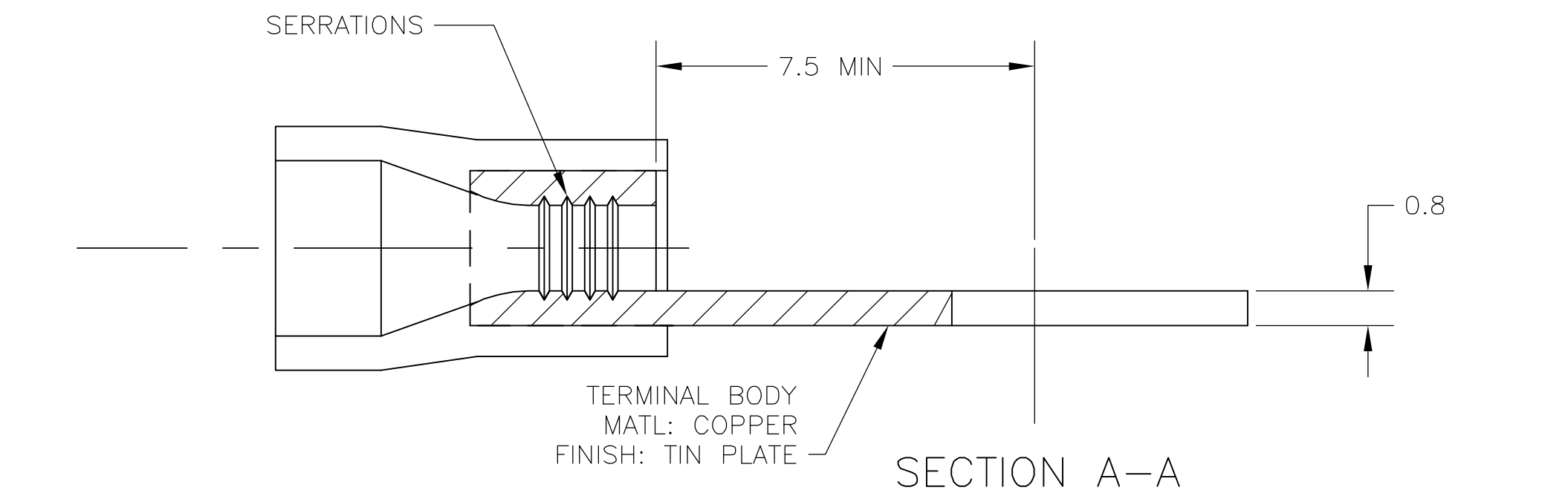
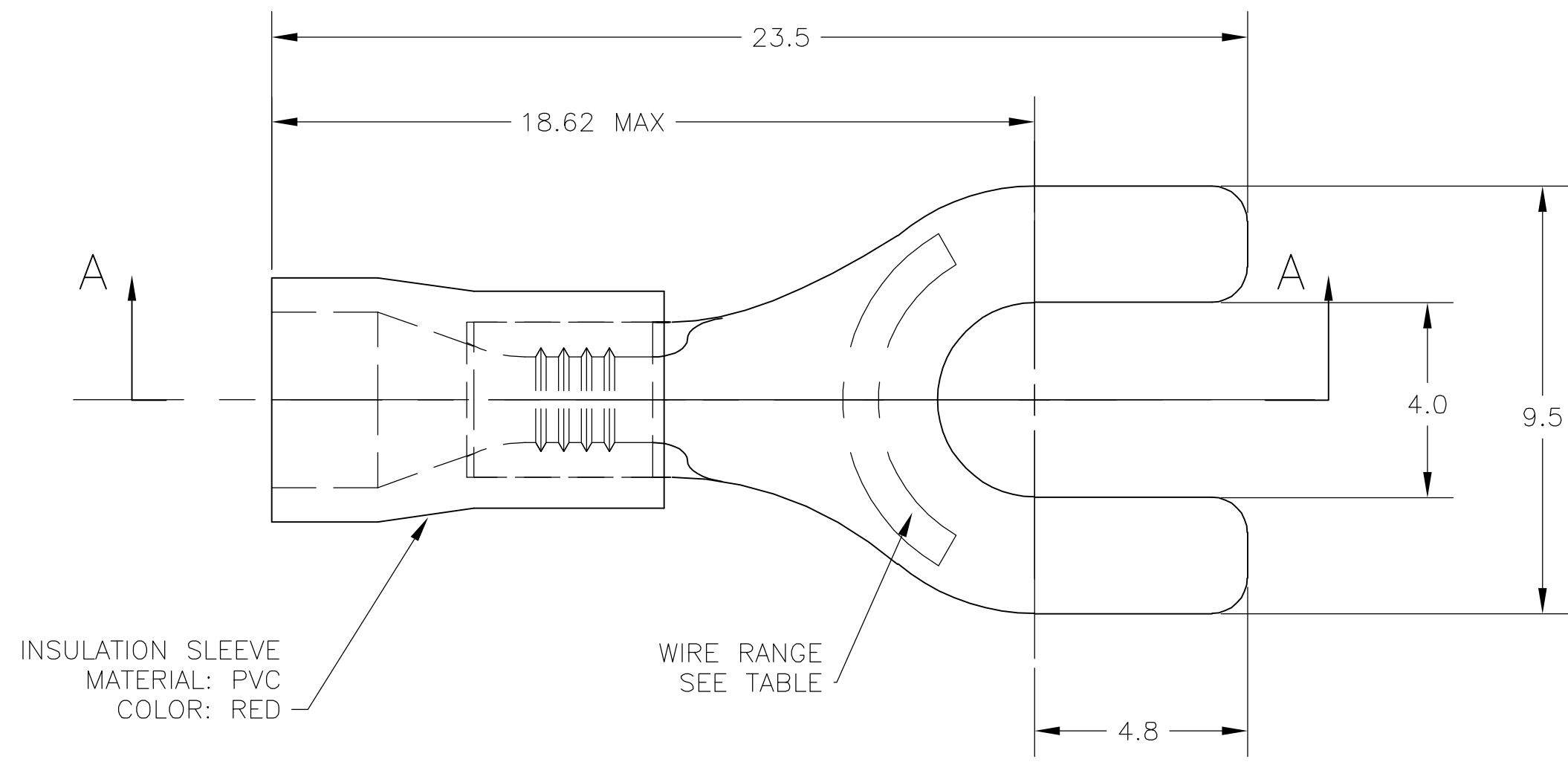


THIS DRAWING IS UNPUBLISHED. RELEASED FOR PUBLICATION
 © COPYRIGHT BY TYCO ELECTRONICS CORPORATION. ALL RIGHTS RESERVED.

LOC	DIST	REVISIONS			
P	LTR	DESCRIPTION	DATE	DWN	APVD
G	02	G2	REV PER ECR-06-001930	13FEB06	HMR TM



- 1 WIRE INSULATION O.D. 2.7-3.6
- 2 SUPERSEDED BY 342118-1

POLY BAG WITH HEADER	STANDARD	100	2	7-342118-1
PLASTIC BOX	STANDARD	100	2	6-342118-1
TAPED MOUNTED	STANDARD	5000		2-342118-1
PLASTIC BAG	STANDARD	1000		342118-1
PACKAGING	LABELLING	QTY RED		PART NO.

THIS DRAWING IS A CONTROLLED DOCUMENT.		DWN jr ruth 07AUG03	tyco Tyco Electronics Corporation	
DIMENSIONS: INCHES		CHK T MICHIELUTTI 30AUG05	Electronics Harrisburg, Pa 17105-3608	
TOLERANCES UNLESS OTHERWISE SPECIFIED:		APVD T MICHIELUTTI 30AUG05	NAME	
0 PLC ± -		PRODUCT SPEC	TERMINAL, SPADE, PLASTI-GRIP, WIRE SIZE: 22-16 AWG	
1 PLC ± 0.5		APPLICATION SPEC	SIZE A2	CAGE CODE 00779
2 PLC ± -		WEIGHT -	DRAWING NO C=342118	RESTRICTED TO -
3 PLC ± -		CUSTOMER DRAWING	SCALE 5:1	SHEET 1 OF 1
4 PLC ± -			REV G2	
ANGLES ± 1°				
FINISH -				

单击下面可查看定价，库存，交付和生命周期等信息

[>>TE Connectivity\(泰科\)](#)