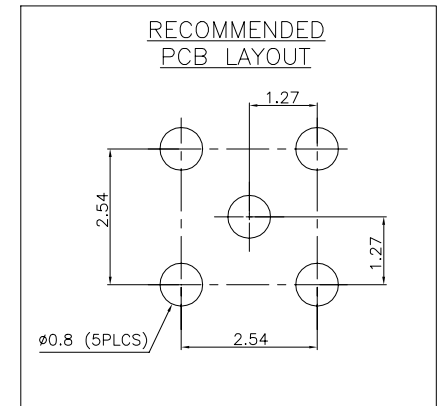
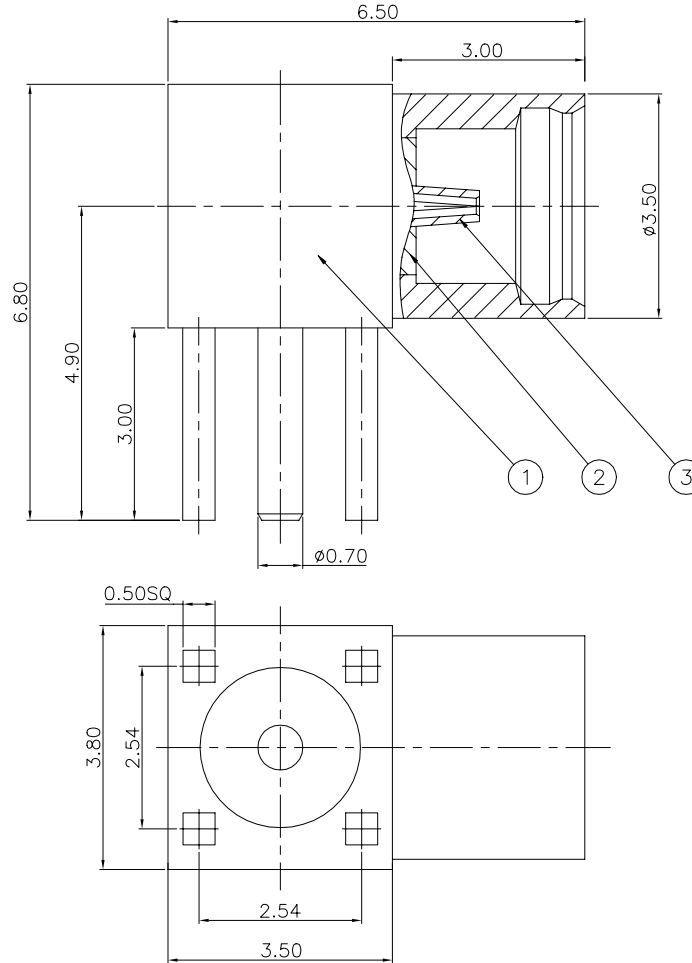


P	LTR	DESCRIPTION	DATE	DWN	APVD
E2		REVISED PER ECR-20-009280	30JUN2020	RZ	RS

NOTES:

- 1 SINGLE PACK IN ACCORDANCE WITH AMP SPEC 107-3275
- 2 100 TRAY PACK IN ACCORDANCE WITH AMP SPEC 107-3275
- 3 Au0.05um PLATING OVER Ni1.27um PLATING OVER Cu1um PLATING
- 4 Au0.8um PLATING OVER Ni2.5um PLATING OVER Cu1um PLATING
- 5 Au0.08um PLATING OVER Ni2.5um PLATING OVER Cu1um PLATING
- 6. FOR TECHNICAL DATA REFER TO YOUR LOCAL TE CONNECTIVITY SALES OFFICE
- 7. ALL DIMENSIONS ARE NOMINAL FOR REFERENCE ONLY UNLESS OTHERWISE STATED



QTY	DESCRIPTION	MATERIAL	ITEM
1	SOCKET	BERYLLIUM COPPER	3
1	SOCKET	BERYLLIUM COPPER	3
2	INSULATOR	PTFE	2
1	BODY	BRASS	1
1	BODY	BRASS	1
6--0			
3--0			
2--0			
1--0			

ELECTRICAL	MECHANICAL	ENVIRONMENTAL
Impedance (Ohm) <u>50</u>	Interface Dimension CECC 22 000	TEMPERATURE RANGE <u>-55 TO + 125</u>
Frequency Range (GHz) <u>DC to 6GHz</u>	Force to Engage and Disengage (N) Engage: <u>18 MAXI</u> Disengage: <u>6 MINI</u>	THERMAL SHOCK <u>MIL-STD-202, METHOD107, B</u>
Voltage Rating (Peak) <u>@_Seq_Level_170_V_RMS</u>	Center Contact Captivation Axial (N) <u>6.0</u> Radial (In/Oz) <u>N/A</u>	CORROSION <u>MIL-STD-202, METHOD101, B</u>
Insulation Resistance (MIN.) <u>1000_M_ohms</u>	Cable Retention Axial (Lbs) <u>N/A</u>	VIBRATION <u>MIL-STD-202, METHOD204, B</u>
Contact Resistance (Milliohms MAX) Center Contact <u>5.0</u> Outer Contact <u>2.5</u>	Mating cycles <u>500_cycles</u>	MOISTURE RESISTANCE <u>MIL-STD-202, METHOD106</u>
Dielectric Withstand Voltage: <u>500_V_RMS_Max</u>		ROHS <u>COMPLIANT</u>
Insertion Loss : <u>N/A_dB</u>		
VSWR: <u>1.35_MAXI(GHz)</u>		
RF leakage: <u>N/A</u>		
3rd Intermodulation: <u>N/A</u>		

THIS DRAWING IS A CONTROLLED DOCUMENT.		DWN J.SANDWELL 12NOV03
DIMENSIONS: mm		CHK S.PARLOW 12NOV03
TOLERANCES UNLESS OTHERWISE SPECIFIED:		APVD F.WHEELER-KING 12NOV03
0 PLC ± -		PRODUCT SPEC 108-2084
1 PLC ± -		APPLICATION SPEC
2 PLC ± 0.15		WEIGHT 0
3 PLC ± -		SIZE A3
4 PLC ± -		CAGE CODE 00779
ANGLES ± -		DRAWING NO C-1634010
MATERIAL SEE TABLE	FINISH SEE TABLE	RESTRICTED TO -

STE TE Connectivity			
NAME MMCX RIGHT ANGLE PCB MOUNT SOCKET RECEPTACLE 50 OHMS			
SIZE	CAGE CODE	DRAWING NO	RESTRICTED TO
A3	00779	C-1634010	-
CUSTOMER DRAWING		SCALE NTS	SHEET 1 of 1
		REV E2	

单击下面可查看定价，库存，交付和生命周期等信息

[>>TE Connectivity\(泰科\)](#)