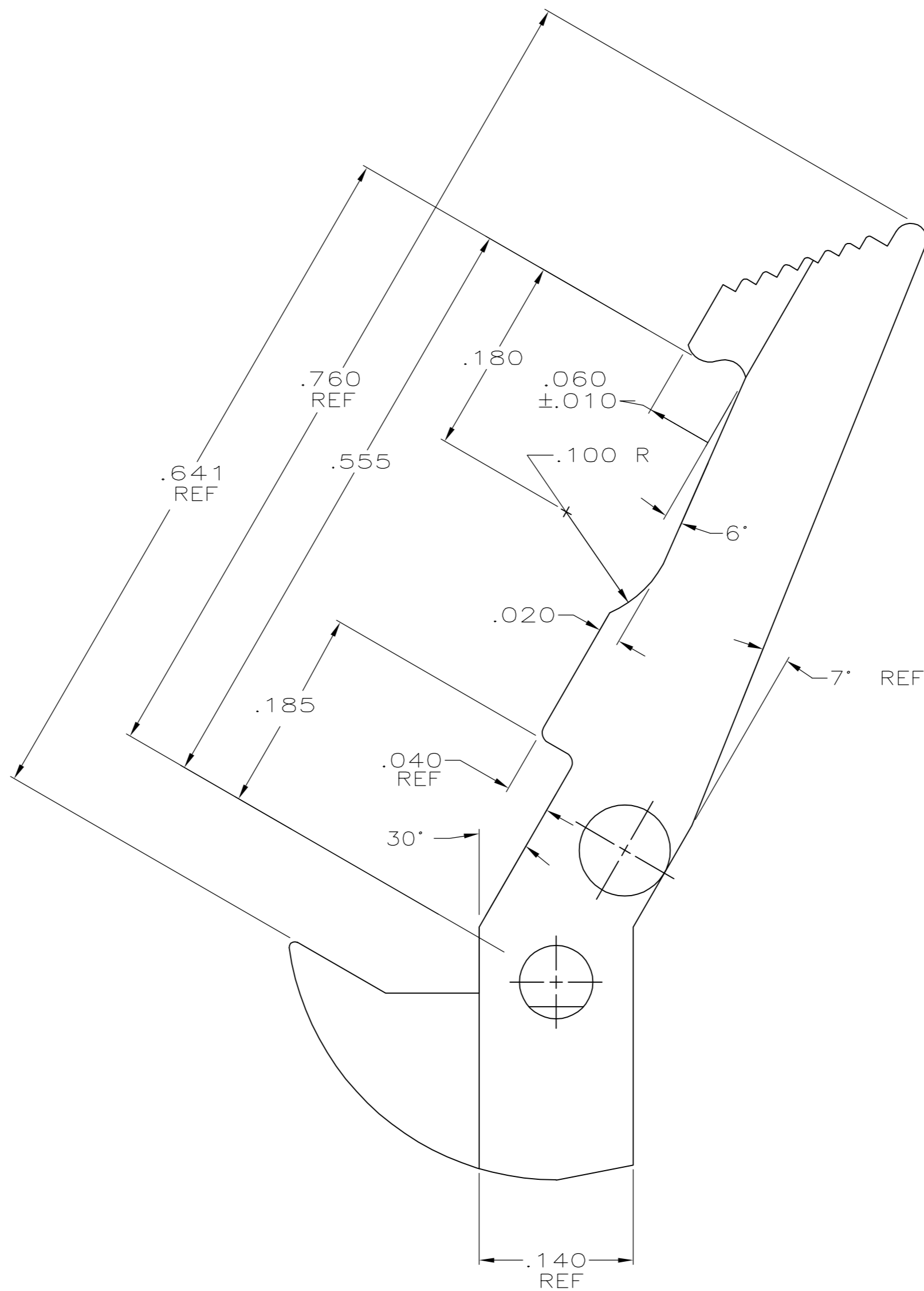
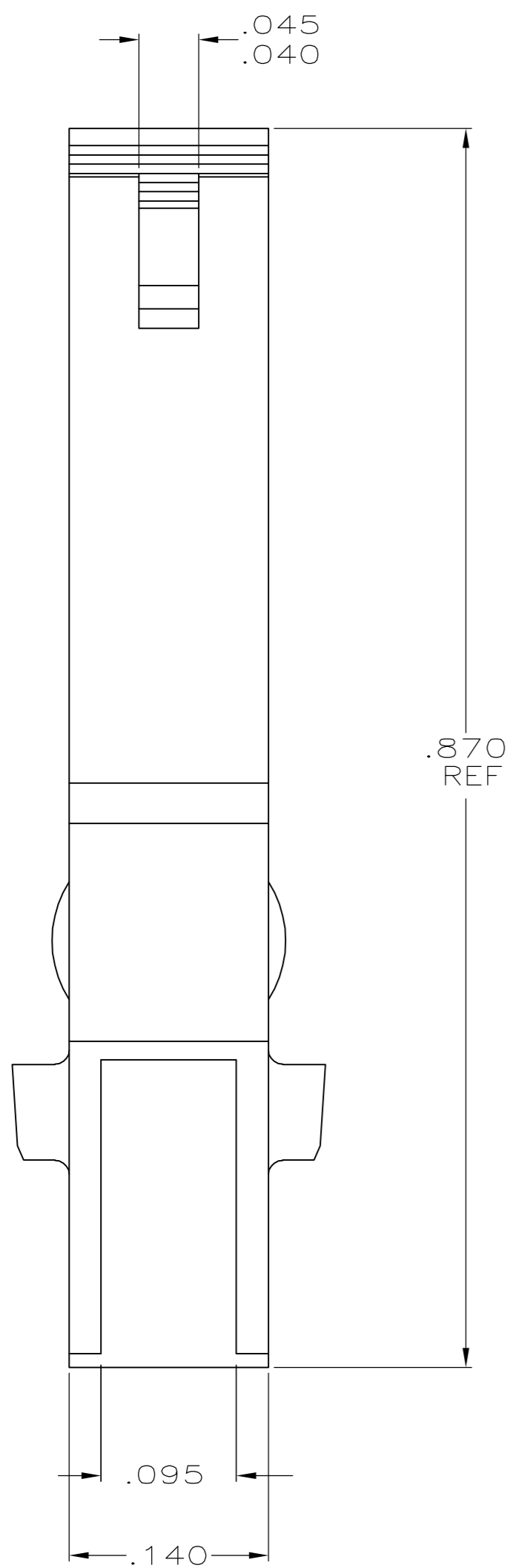


THIS DRAWING IS UNPUBLISHED. RELEASED FOR PUBLICATION
 © COPYRIGHT BY TYCO ELECTRONICS CORPORATION. ALL RIGHTS RESERVED.

LOC	DIST	REVISIONS					
GP	00	P	LTR	DESCRIPTION	DATE	DWN	APVD
		E		REVISED PER ECO-06-012854	09SEP06	JDP	SLB

1 FLAME RETARDANT, THERMOPLASTIC, COLOR: BLACK.



499287-1
PART NUMBER

THIS DRAWING IS A CONTROLLED DOCUMENT.		DWN K.L.CLOUSER/UTA	07/25/90		tyco Electronics		Tyco Electronics Corporation Harrisburg, PA 17105-3608	
DIMENSIONS: INCHES		CHK -	APVD -		NAME		LATCH, CONNECTOR, TC2 OR RIBBON COAX	
TOLERANCES UNLESS OTHERWISE SPECIFIED:		PRODUCT SPEC -		APPLICATION SPEC -		SIZE A2	CAGE CODE 00779	DRAWING NO C=499287
MATERIAL		WEIGHT -		SCALE 10:1		SHEET 1 of 1		RESTRICTED TO -
FINISH -		CUSTOMER DRAWING		REV E				

单击下面可查看定价，库存，交付和生命周期等信息

[>>TE Connectivity\(泰科\)](#)