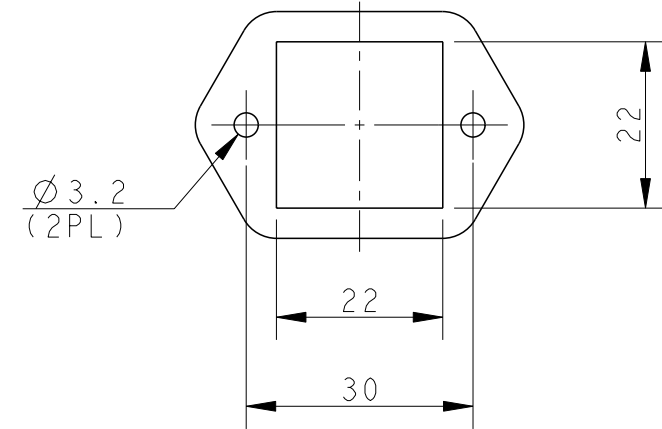
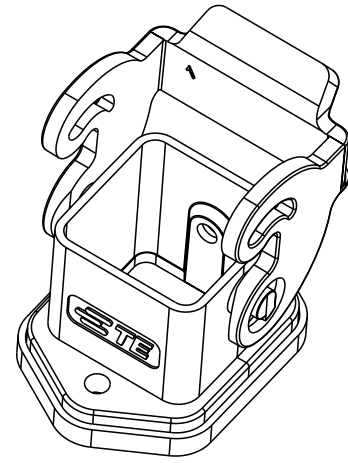
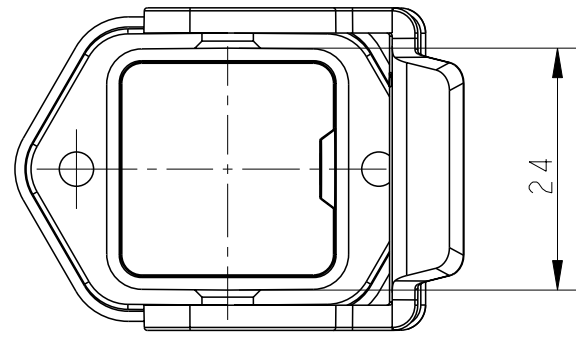


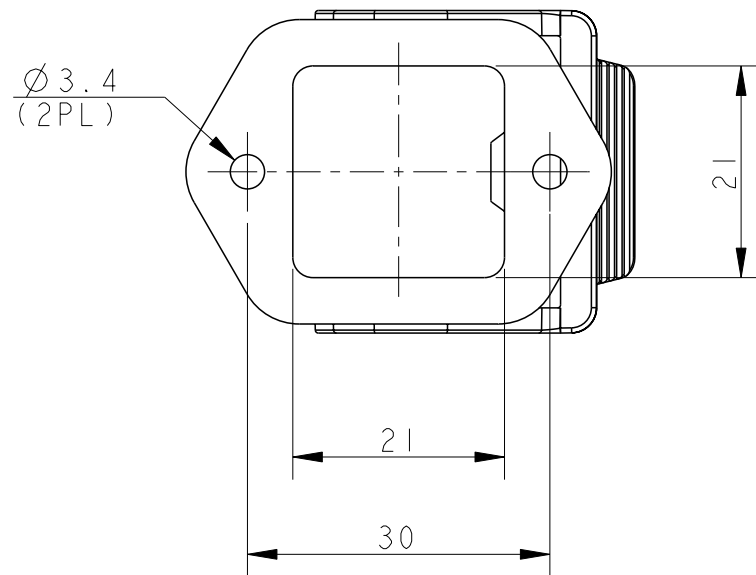
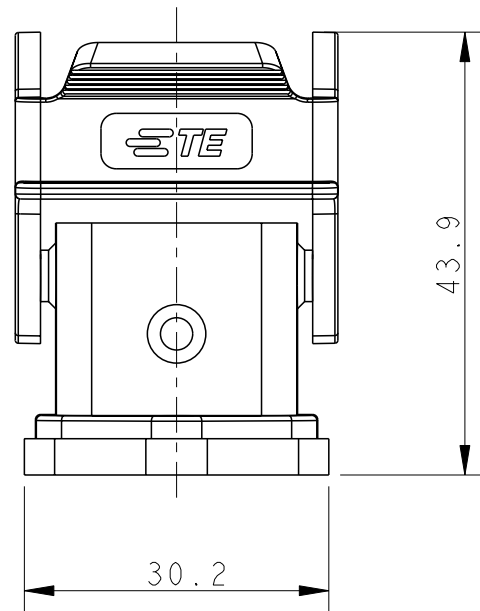
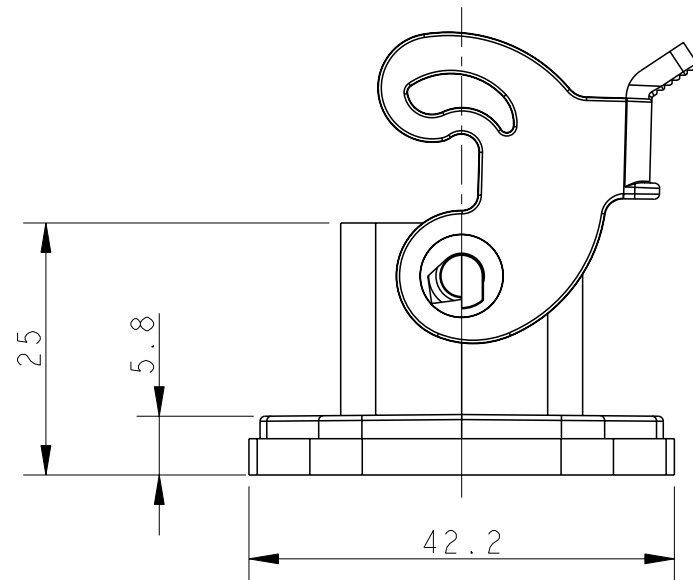
P	LTR	DESCRIPTION	DATE	DWN	APVD
	A	INITIAL RELEASE	03MAY2020	CD	CW




PANNEL CUT OUT

NOTES:
 1. TECHNICAL CHARACTERISTICS:
 BODY MATERIAL: PC
 DEGREE OF PROTECTION: IP65 (MATED)

注释:
 1. 技术参数:
 主体材料: PC
 防护等级: IP65(配合)



T1507031000-000	H3A-AG	H3A PLASTIC HOUSING, BULKHEAD MOUNTED, PLASTIC SINGLE LOCKING, BLACK H3A塑料下壳, 开孔安装, 塑料单扣, 黑色
PART NUMBER 料号	PART DESCRIPTION 描述	

THIS DRAWING IS A CONTROLLED DOCUMENT.		DWN 03MAY2020 CHARLLIAN DENG	 TE Connectivity NAME H3A-AG
DIMENSIONS: mm		CHK 03MAY2020 GINO YAO	
TOLERANCES UNLESS OTHERWISE SPECIFIED:		APVD 03MAY2020 CHRIS WANG	
0 PLC ±- 1 PLC ±- 2 PLC ±- 3 PLC ±- 4 PLC ±- ANGLES ±-		PRODUCT SPEC 108-137134	
MATERIAL	FINISH	APPLICATION SPEC 114-137134	RESTRICTED TO
-	-	WEIGHT	SIZE CAGE CODE DRAWING NO
-	-	-	A300779 C-T1507031000000
CUSTOMER DRAWING			SCALE 4:3 SHEET 1 OF 1 REV A

单击下面可查看定价，库存，交付和生命周期等信息

[>>TE Connectivity\(泰科\)](#)