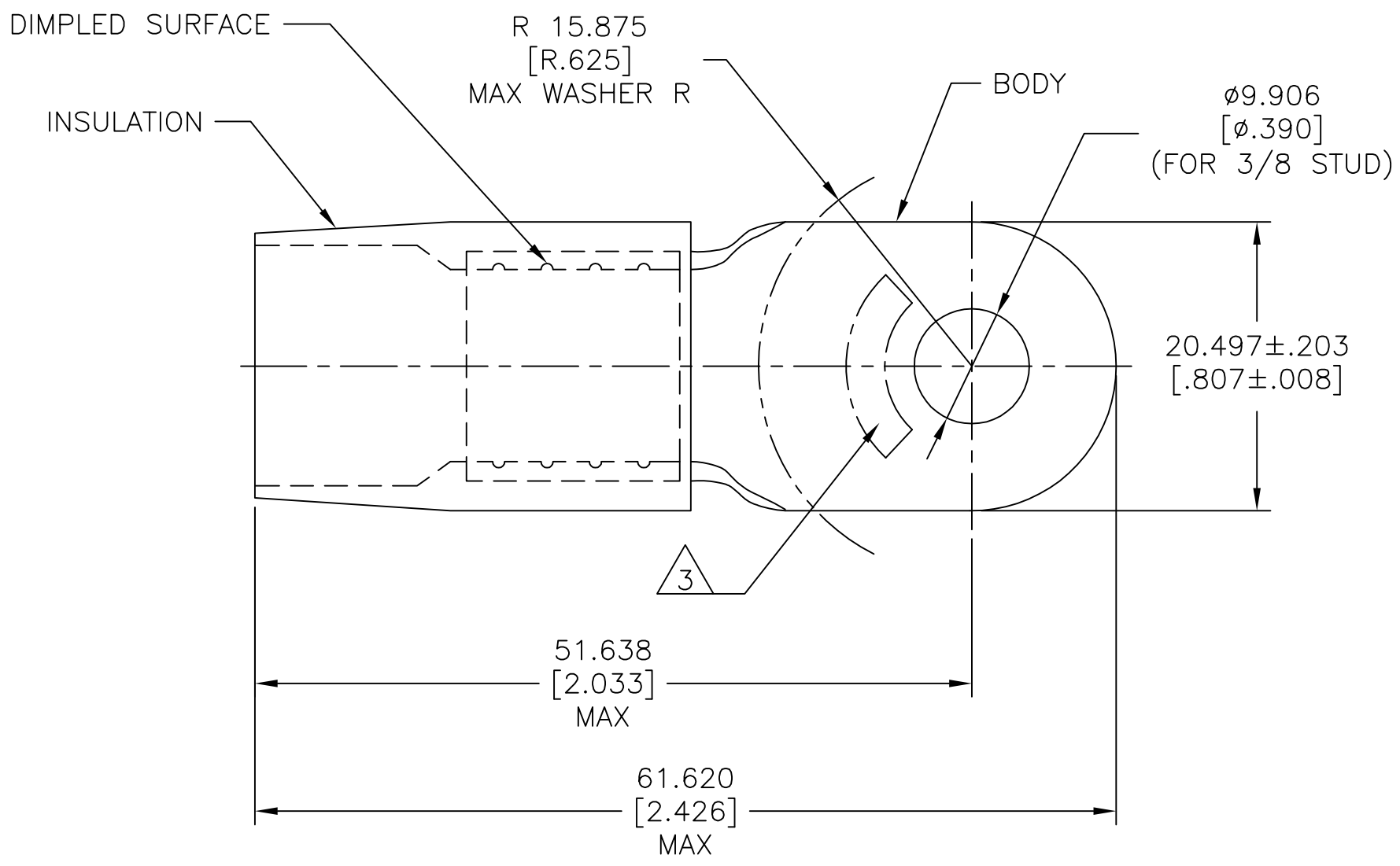
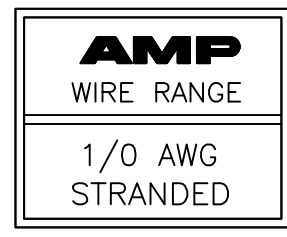


REVISIONS					
P	LTR	DESCRIPTION	DATE	DWN	APVD
	N1	REVISED PER ECO-11-004917	11MAR11	RK	HMR
	N2	REVISED PER ECO-17-014333	14OCT2017	RS	DR



- 1 BODY MATERIAL THK 1.778±0.051[.070±.002]
- 2 FOR Ø14.732[Ø.580] MAX WIRE INS.
- △3 STAMP AMP 1/0 W* APPROX AS SHOWN.

MS25036-133 CLASS 2	50	LOOSE PC	324057
MILITARY P/N AND CLASS	QTY	PACKAGE TYPE	PART NO

AMP INCORPORATED CUSTOMER SERVICE SYSTEMS		MAX RECOMMENDED OPERATING TEMPERATURE: 105°C[221°F]	THIS DRAWING IS A CONTROLLED DOCUMENT.		DWN S.S. GOULDEN 6-21-93	TE Connectivity NAME TERMINAL, RING TONGUE, TERMINYL WIRE SIZE: 1/0 AWG				
FOR ADDITIONAL PRODUCT INFORMATION OR COPIES OF DRAWINGS AND TECHNICAL DOCUMENTS	PRODUCT INFORMATION CENTER 1-800-522-6752	VOLTAGE RATING: -	DIMENSIONS: mm [INCHES]	TOLERANCES UNLESS OTHERWISE SPECIFIED:	CHK R. HERSEY 6-21-93					SAE AS7928
FOR APPLICATION TOOLING INFORMATION	TOOLING ASSISTANCE CENTER 1-800-722-1111	CIRCULAR MIL AREA: 42.4-60.6mm² [83,700-119,500] STRANDED		0 PLC ± -	APVD B. BARE 6-21-93	APPLICATION SPEC				
FOR ORDER ENTRY	1-800-526-5142	THIS DRAWING IS A CONTROLLED DOCUMENT FOR AMP INCORPORATED. IT IS SUBJECT TO CHANGE AND THE CONTROLLING ENGINEERING ORGANIZATION SHOULD BE CONTACTED FOR THE LATEST REVISION.		MATERIAL BODY: COPPER PER ASTM B-152 INSULATION: NYLON ASTM D4066 TYPE 1	1 PLC ± - 2 PLC ± - 3 PLC ± 0.127[.005] 4 PLC ± - ANGLES ± -	PRODUCT SPEC	SIZE	CAGE CODE	DRAWING NO	RESTRICTED TO
			FINISH BODY: TIN PLATE PER ASTM B545 INSULATION: COLOR-BLUE		WEIGHT	A3 00779		C=324057		
CUSTOMER DRAWING						SCALE	NTS	SHEET	1 OF 1	REV N2

单击下面可查看定价，库存，交付和生命周期等信息

[>>TE Connectivity\(泰科\)](#)