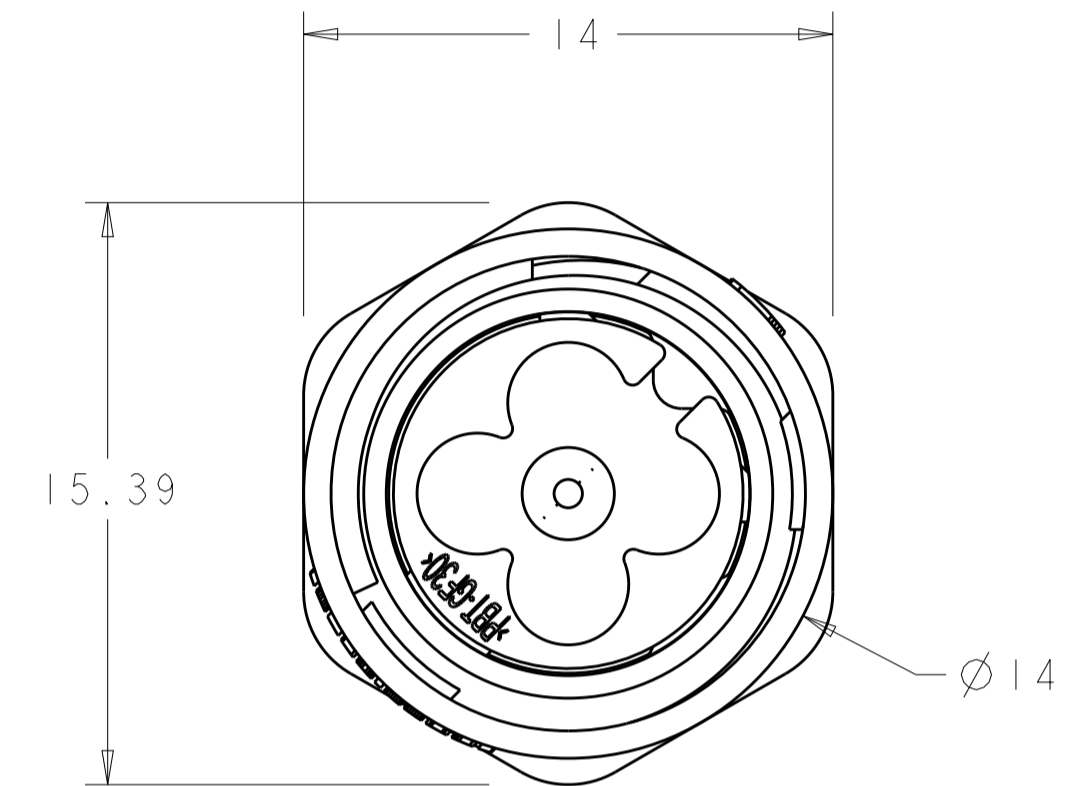
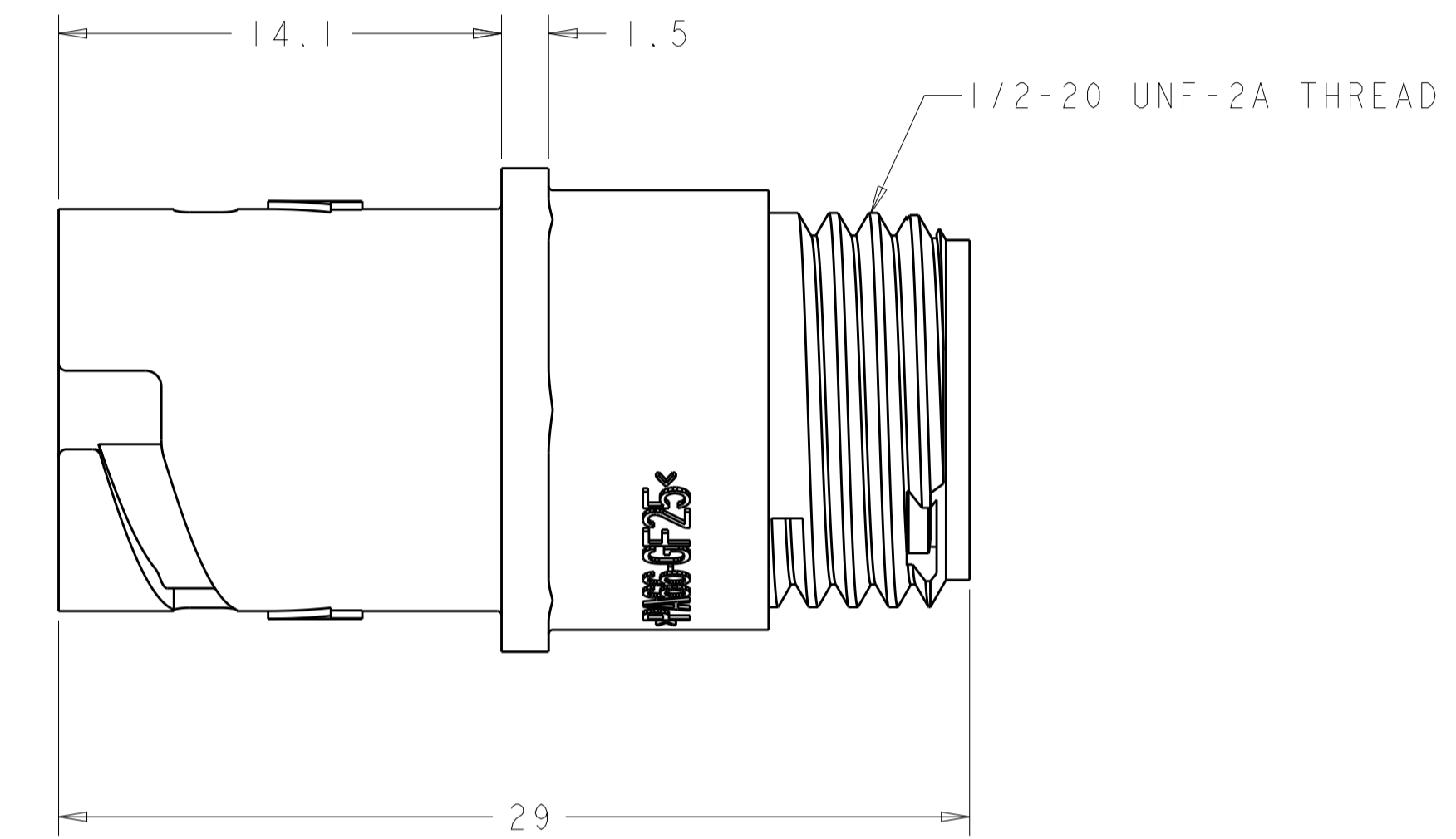
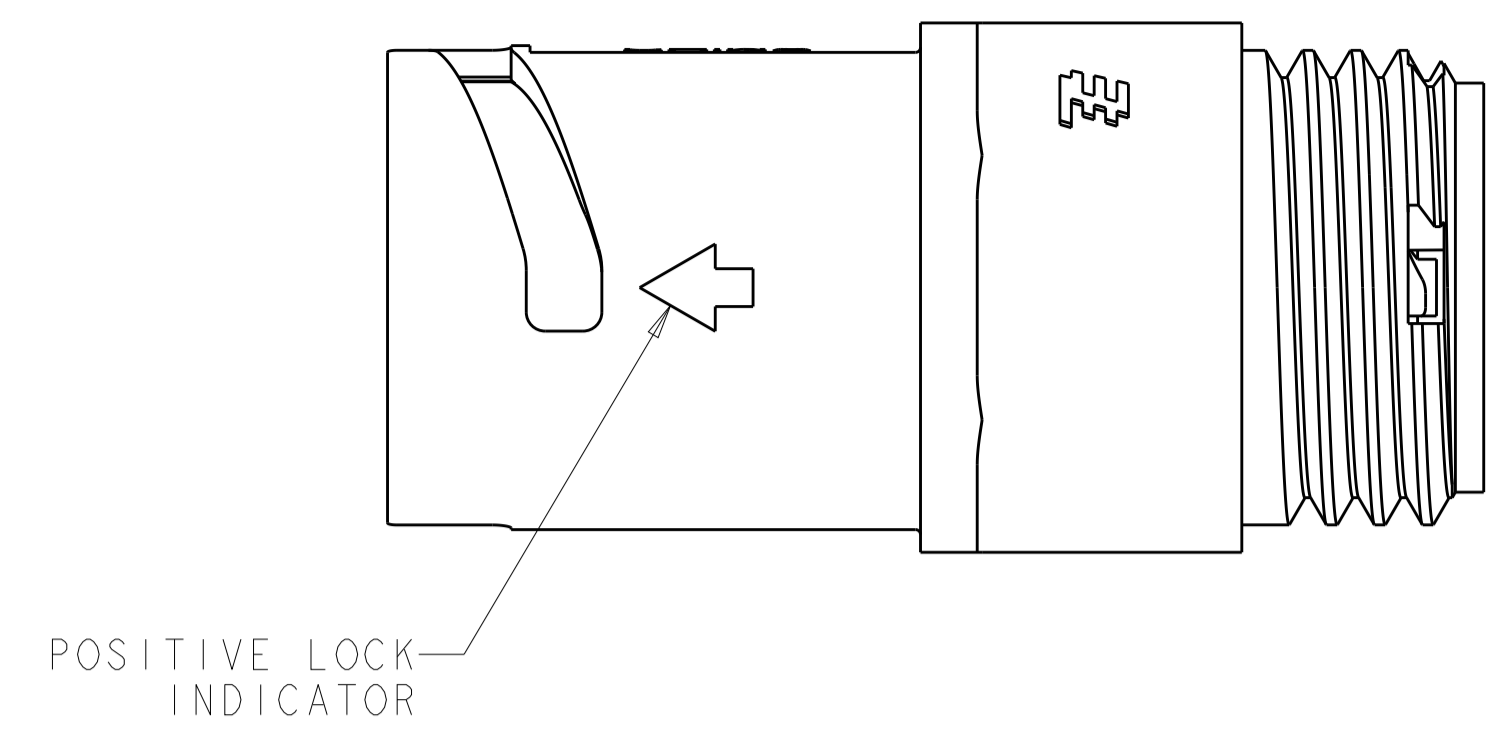
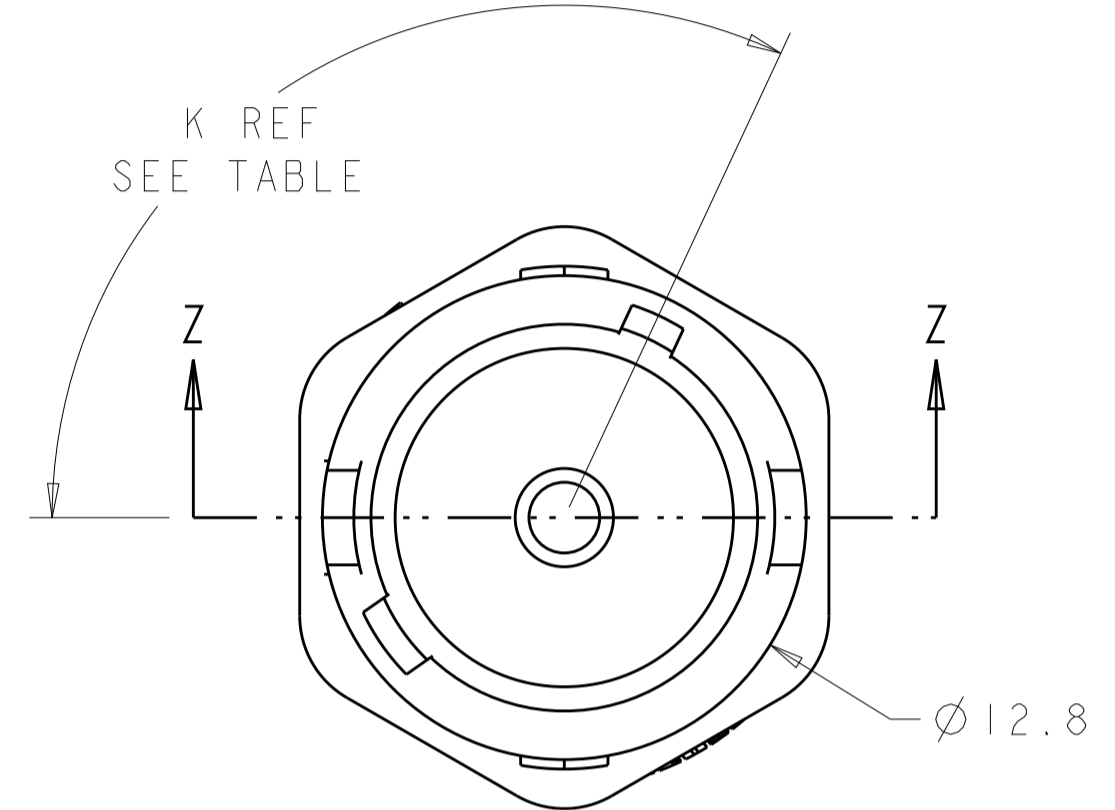
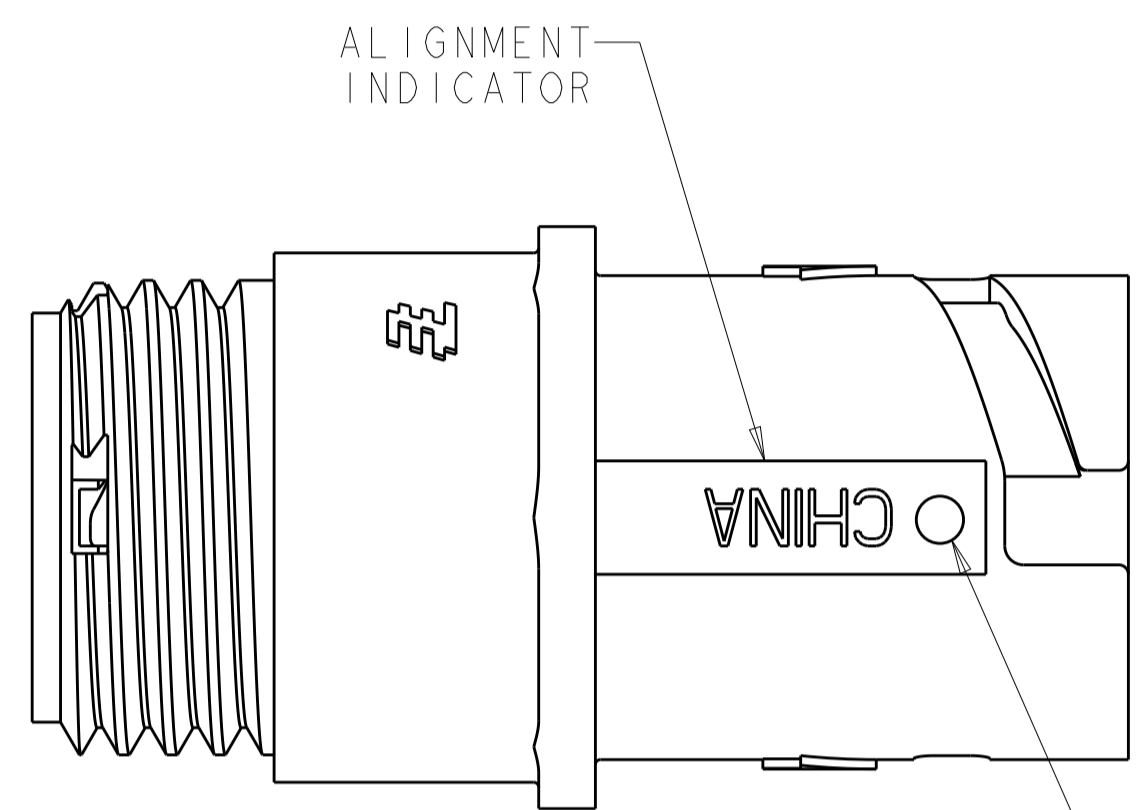
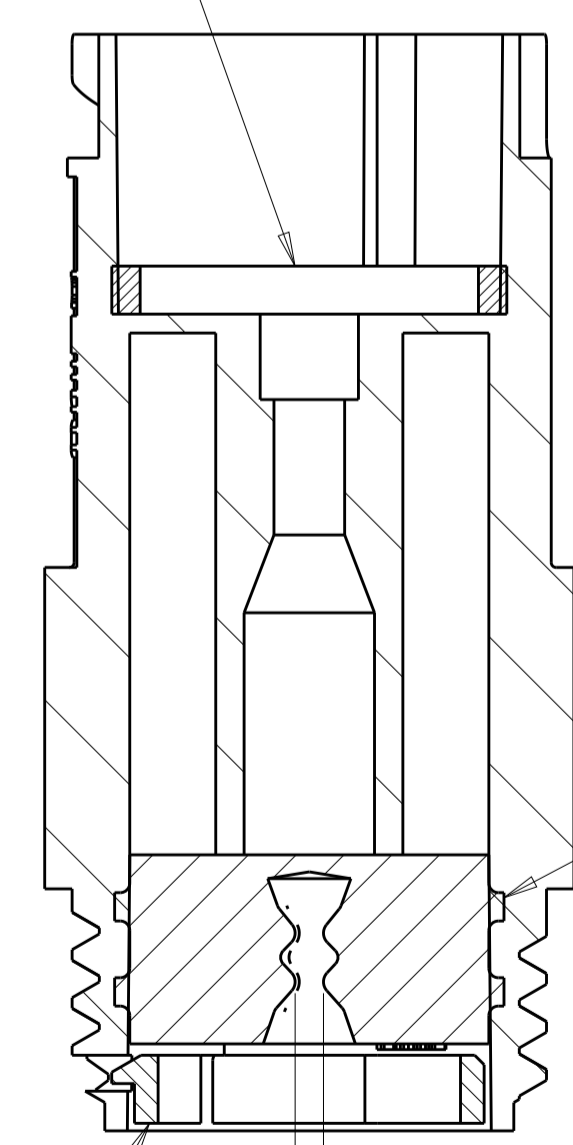


| REVISIONS |     |                           |           |          |
|-----------|-----|---------------------------|-----------|----------|
| P.        | LTN | DESCRIPTION               | DATE      | DWN APVD |
| B2        |     | REVISED PER ECO-15-010004 | 11JUL2015 | NK MZ    |
| C         |     | REVISED PER ECO-16-018352 | 24MAR2017 | RS MZ    |



SEAL, PERIPHERAL, 1 REQD.  
 MATERIAL: ELASTOMER, COLOR-GRAY



HOUSING, 1 REQD.  
 MATERIAL: THERMOPLASTIC, COLOR-BLACK

SEAL, WIRE ENTRY, 1 REQD.  
 MATERIAL: ELASTOMER, COLOR-SEE TABLE

RETAINER, SEAL, 1 REQD.  
 MATERIAL: THERMOPLASTIC, COLOR-BLACK

Ø X REF  
 SEE TABLE

SECTION Z-Z

|          |                        |         |       |             |
|----------|------------------------|---------|-------|-------------|
| OBSOLETE | YELLOW                 | Ø 0.75  | 130°  | 1445526-04  |
|          | NATURAL                | Ø 1.5   | 115°  | 1445526-03  |
| OBSOLETE | NATURAL                | Ø 1.5   | 130°  | 1445526-02  |
|          | YELLOW                 | Ø 0.75  | 115°  | 1445526-01  |
|          | SEAL, WIRE ENTRY COLOR | Ø X REF | K REF | PART NUMBER |

|  |  |                          |   |
|--|--|--------------------------|---|
| THIS DRAWING IS A CONTROLLED DOCUMENT. |  | DWN S. WIEST 02MAY2001   | <b>STE</b> TE Connectivity  |
| DIMENSIONS: mm                         |  | CHK G. DOUITY 02MAY2001  |   |
| TOLERANCES UNLESS OTHERWISE SPECIFIED: |  | APVD H. WAKEEM 12JUN2003 | NAME ASSEMBLY, RECEPTACLE, SIZE 8, 1 POSITION, FREE HANGING, SEALED, MINI CPC |
| 0 PLC ±0.5                             |  | PRODUCT SPEC             | SIZE CAGE CODE DRAWING NO. RESTRICTED TO                                      |
| 1 PLC ±0.13                            |  | APPLICATION SPEC         | A100779C=1445526  |
| 2 PLC ±0.13                            |  | WEIGHT                   | SCALE 5:1 SHEET 1 OF 1 REV C  |
| 3 PLC ±0.013                           |  | CUSTOMER DRAWING         |   |
| 4 PLC ±0.0001                          |  |                          |   |
| ANGLES ±0.0001                         |  |                          |   |
| FINISH SEE CALLOUT                     |  |                          |   |

单击下面可查看定价，库存，交付和生命周期等信息

[>>TE Connectivity\(泰科\)](#)