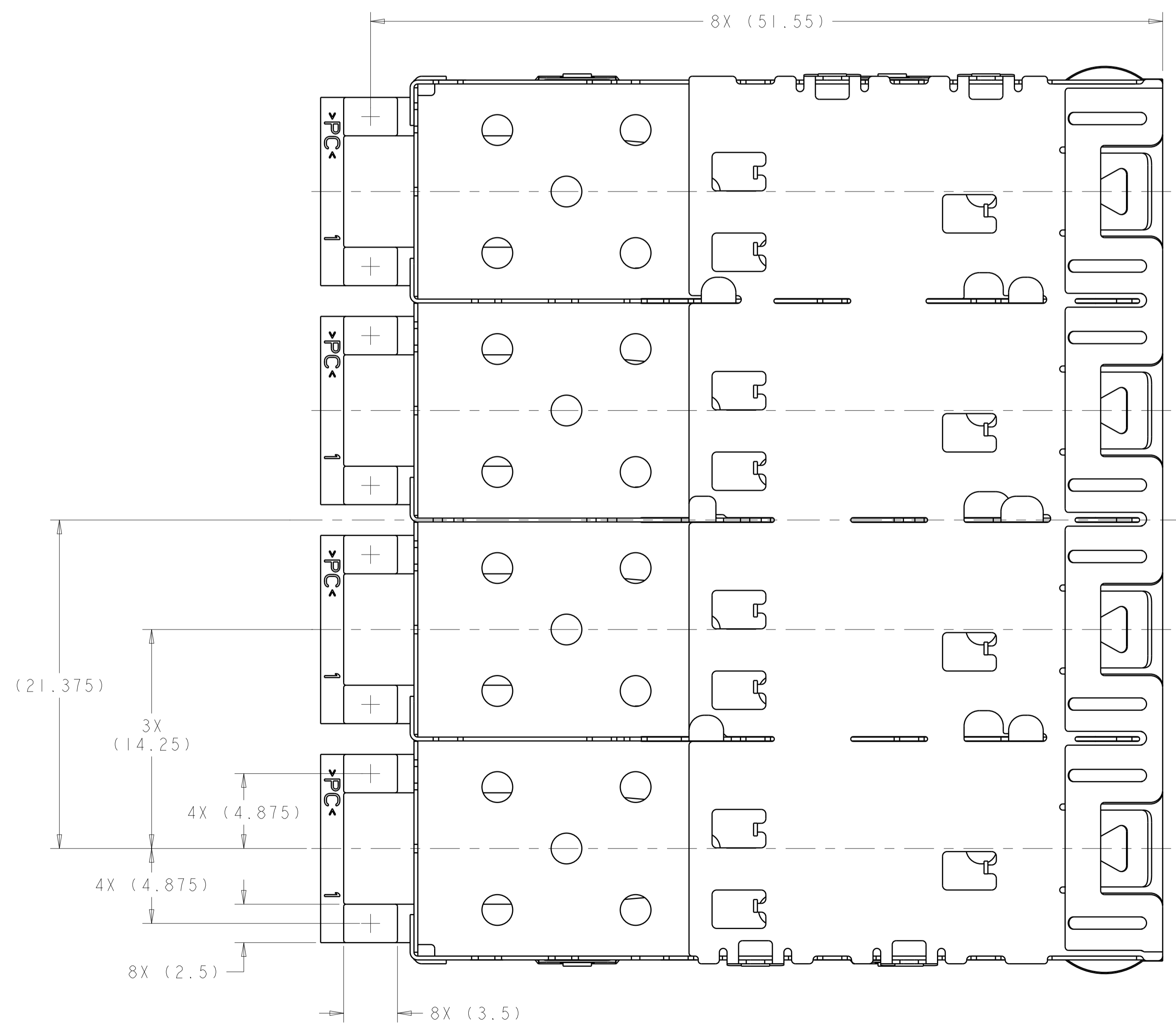
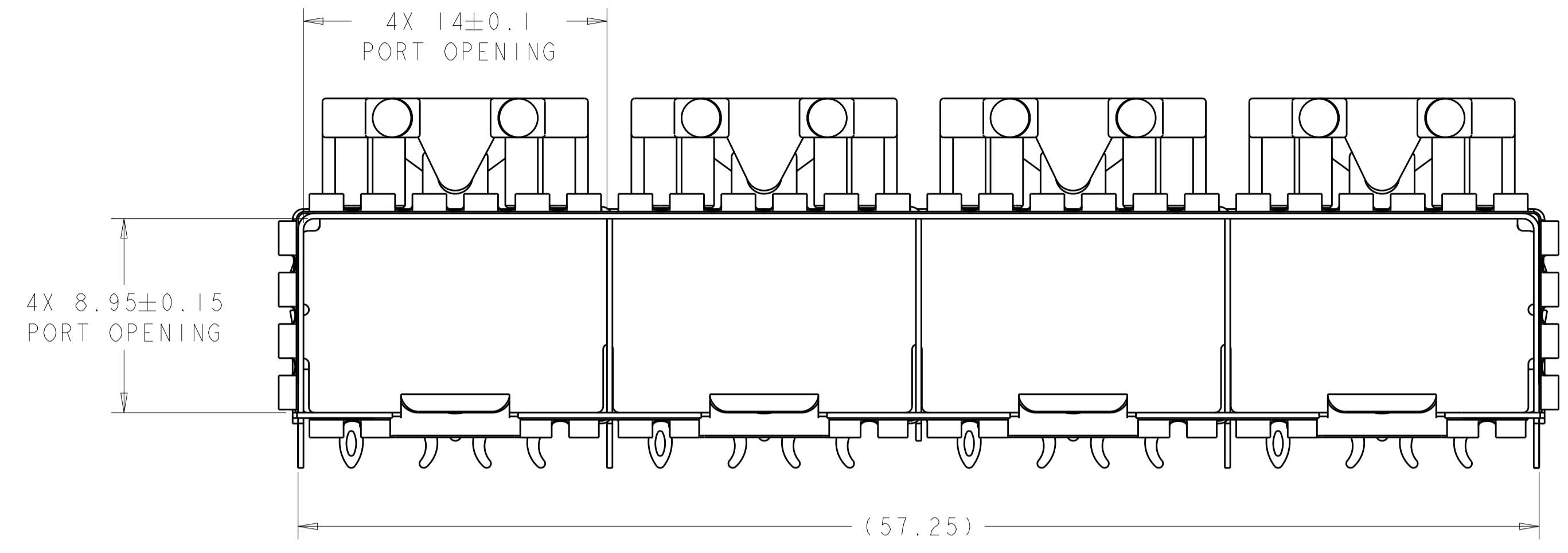
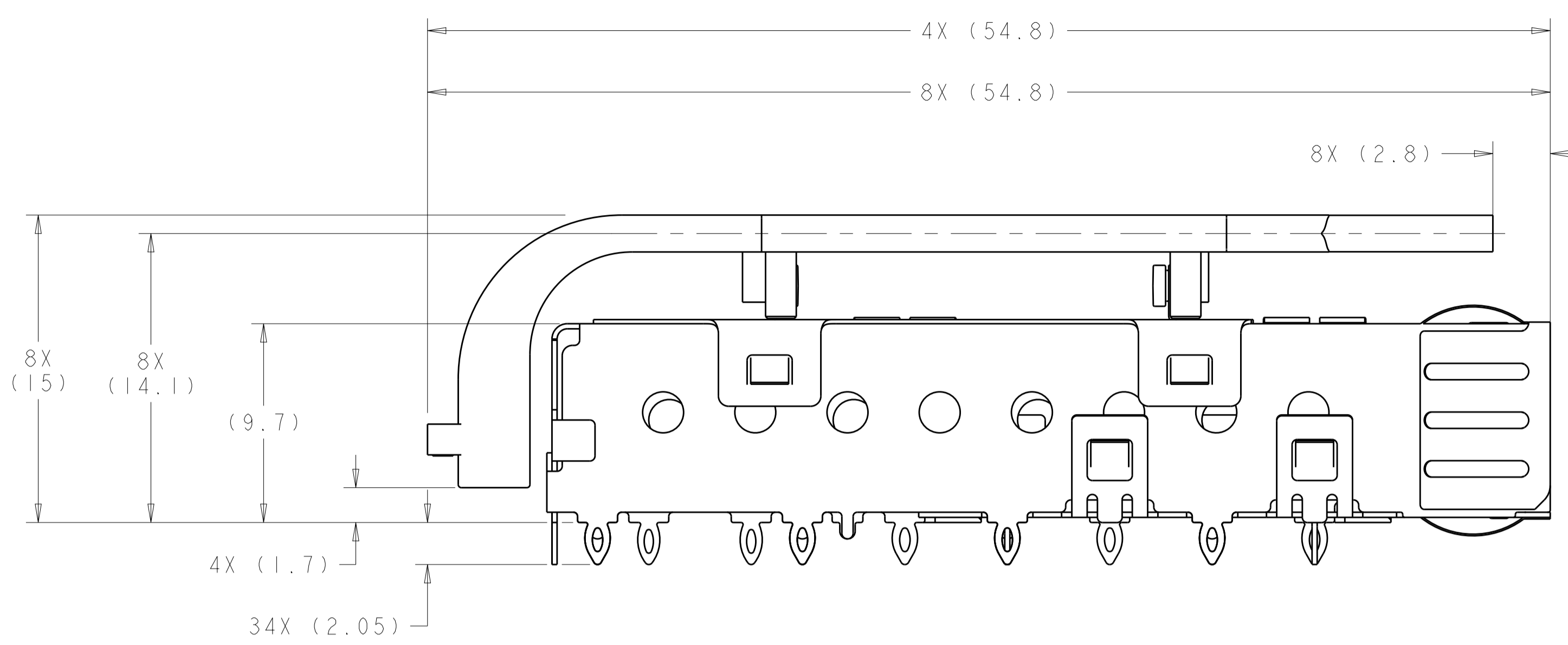
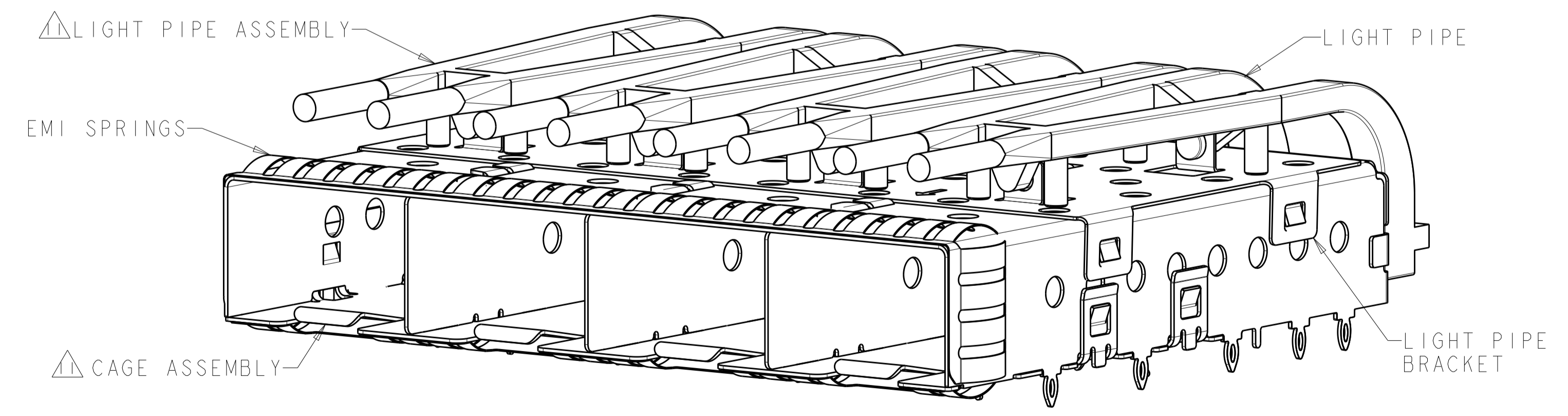


LOC		DIST		REVISIONS			
GP	00	P	LTN	DESCRIPTION	DATE	DWN	APVD
		A		RELEASED PER ECO-14-000529	14JAN2014	JZ	SH
		A1		REMOVE 'PRELIMINARY' MARK	03SEP2018	IT	SH



- △ MATERIAL:
 CAGE ASSEMBLY: NICKEL SILVER ALLOY
 EMI SPRINGS: COPPER ALLOY
 LIGHT PIPE BRACKET: STAINLESS STEEL
 LIGHT PIPE: POLYCARBONATE, CLEAR
- △ FINISH:
 SPRINGS: MINIMUM OF 0.8um TIN PLATE OVER A MINIMUM OF 0.8um NICKEL UNDERPLATE.
 NON-PLATED EDGES PERMISSIBLE.
- △ PADS AND VIAS CHASSIS GROUND.
- △ DATUM AND BASIC DIMENSION ESTABLISHED BY CUSTOMER.
- 5. MATES WITH SFP MSA COMPLIANT TRANSCEIVERS.
- 6. INTERPRETATION OF DATUM REFERENCE FRAME IN ACCORDANCE WITH SECT 4.4.1.1 OF ASME Y14.5M-1994.
- △ REFERENCE APPLICATION SPEC. 114-13120, HOLE A, FOR RECOMMENDED DRILL HOLE DIAMETER AND PLATING THICKNESS.
- △ REFERENCE APPLICATION SPEC. 114-13120, HOLE B, FOR RECOMMENDED DRILL HOLE DIAMETER AND PLATING THICKNESS.
- △ HOLE PATTERN REPEATS FOR EACH PORT. SPACING BETWEEN PORTS IS 14.25mm.
- △ MINIMUM PCB THICKNESS:
 SINGLE SIDED = 1.5mm
 DOUBLE SIDED = 2.25mm
- △ LIGHT PIPE ASSEMBLY SHIPPED UNASSEMBLED TO CAGE ASSEMBLY. CAGE ASSEMBLY TO BE PRESSED INTO THE PCB PRIOR TO ATTACHING THE LIGHT PIPE ASSEMBLY TO THE CAGE.
- 12. CERTAIN MATING TRANSCEIVERS MAY REQUIRE ADDITIONAL PCB THICKNESS THAT WOULD NEED TO BE DETERMINED BY THE CUSTOMER.

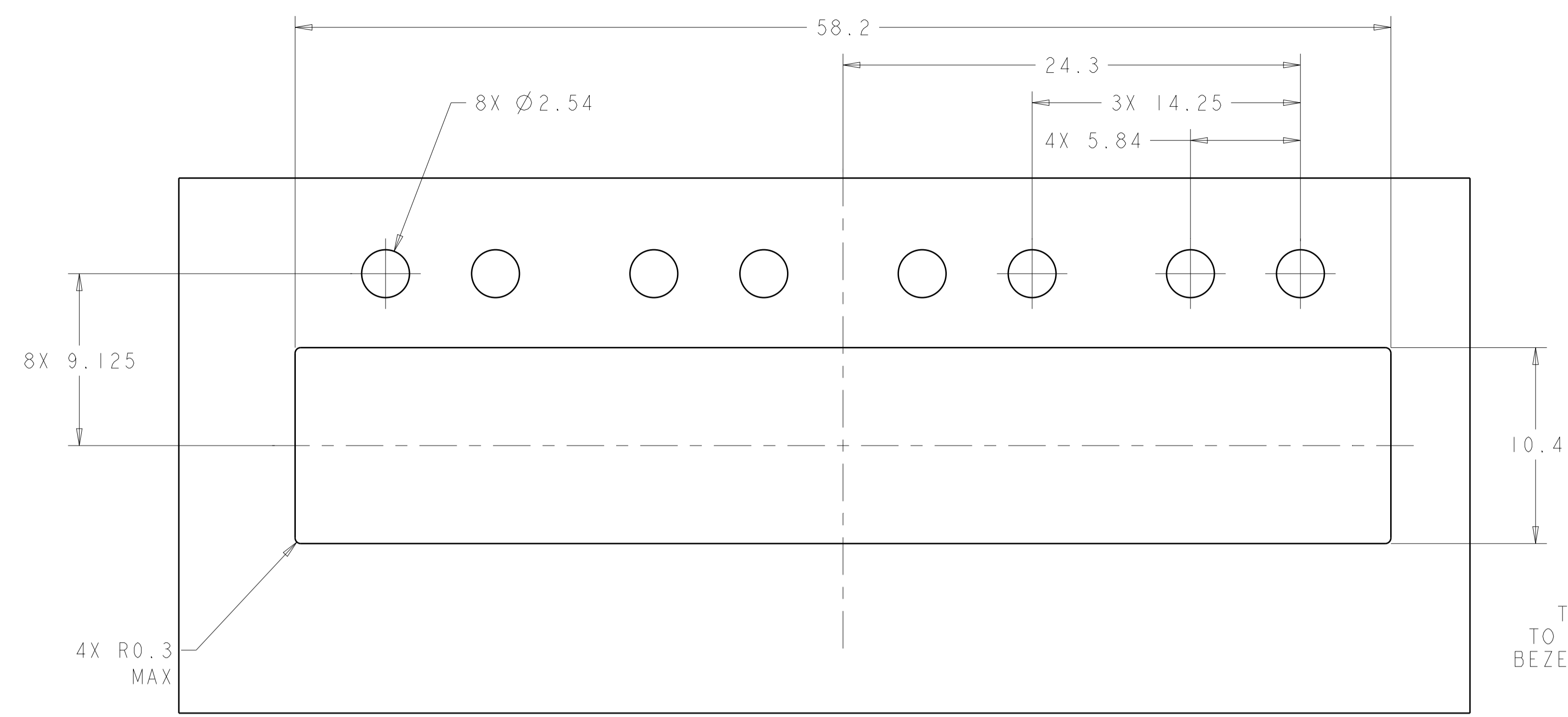


2110069-1
 SCALE 4:1

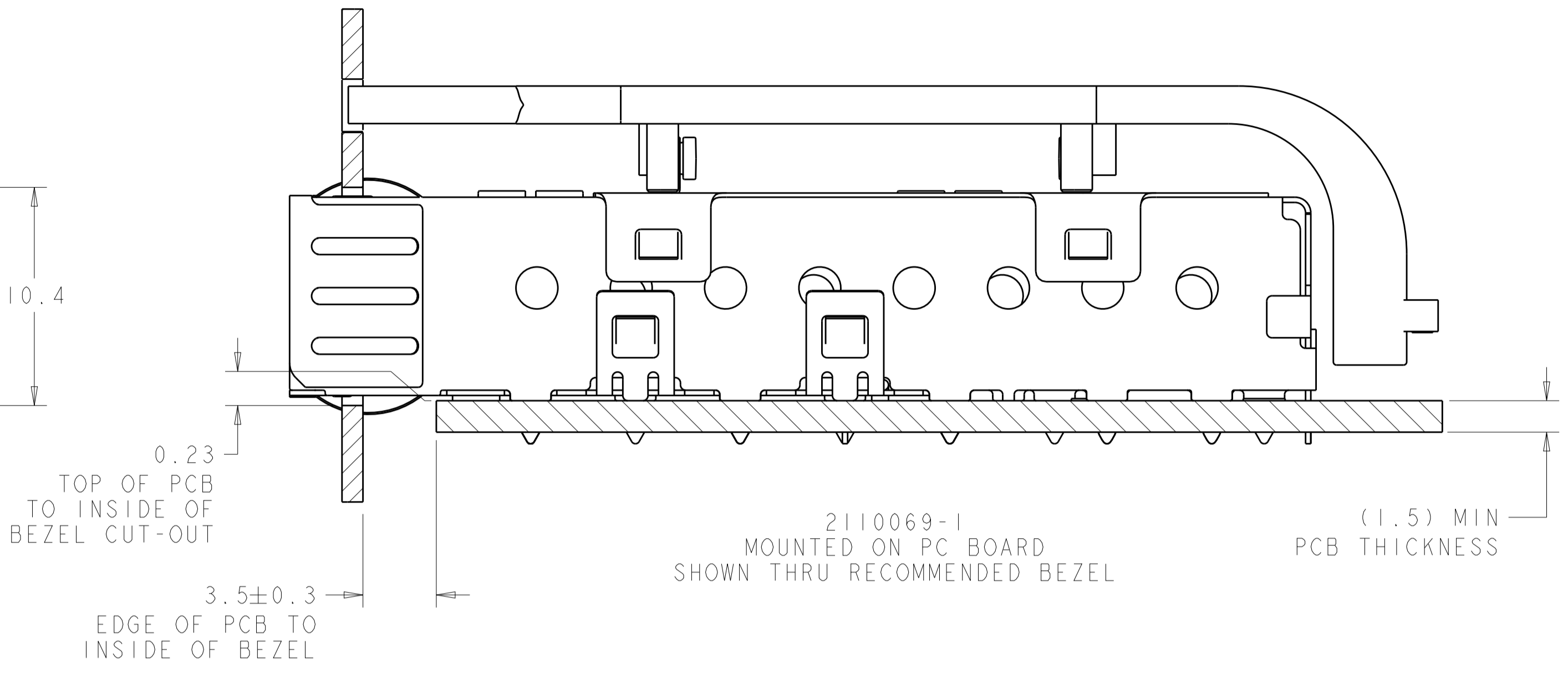
2110069-1
 PART NUMBER

THIS DRAWING IS A CONTROLLED DOCUMENT.		DWN Z. M. BEAM 16JAN2009	TE Connectivity
DIMENSIONS: mm		CHK M. R. SCHMITT 16JAN2009	
TOLERANCES UNLESS OTHERWISE SPECIFIED:		APVD P. H. WERTZ 16JAN2009	NAME SFP+ 1X4 CAGE ASSEMBLY PRESS-FIT, EXTERNAL EMI SPRINGS W/ REDUCED LENGTH LIGHT PIPE
0 PLC	±0.1	PRODUCT SPEC	SIZE 108-2364
1 PLC	±0.1	APPLICATION SPEC	RESTRICTED TO
2 PLC	±0.1	114-13120	A100779C=2110069
3 PLC	±0.1	WEIGHT	SCALE 5:1 SHEET 1 OF 4 REV A1
4 PLC	±0.1	CUSTOMER DRAWING	
ANGLES	±1°		
MATERIAL			
FINISH			

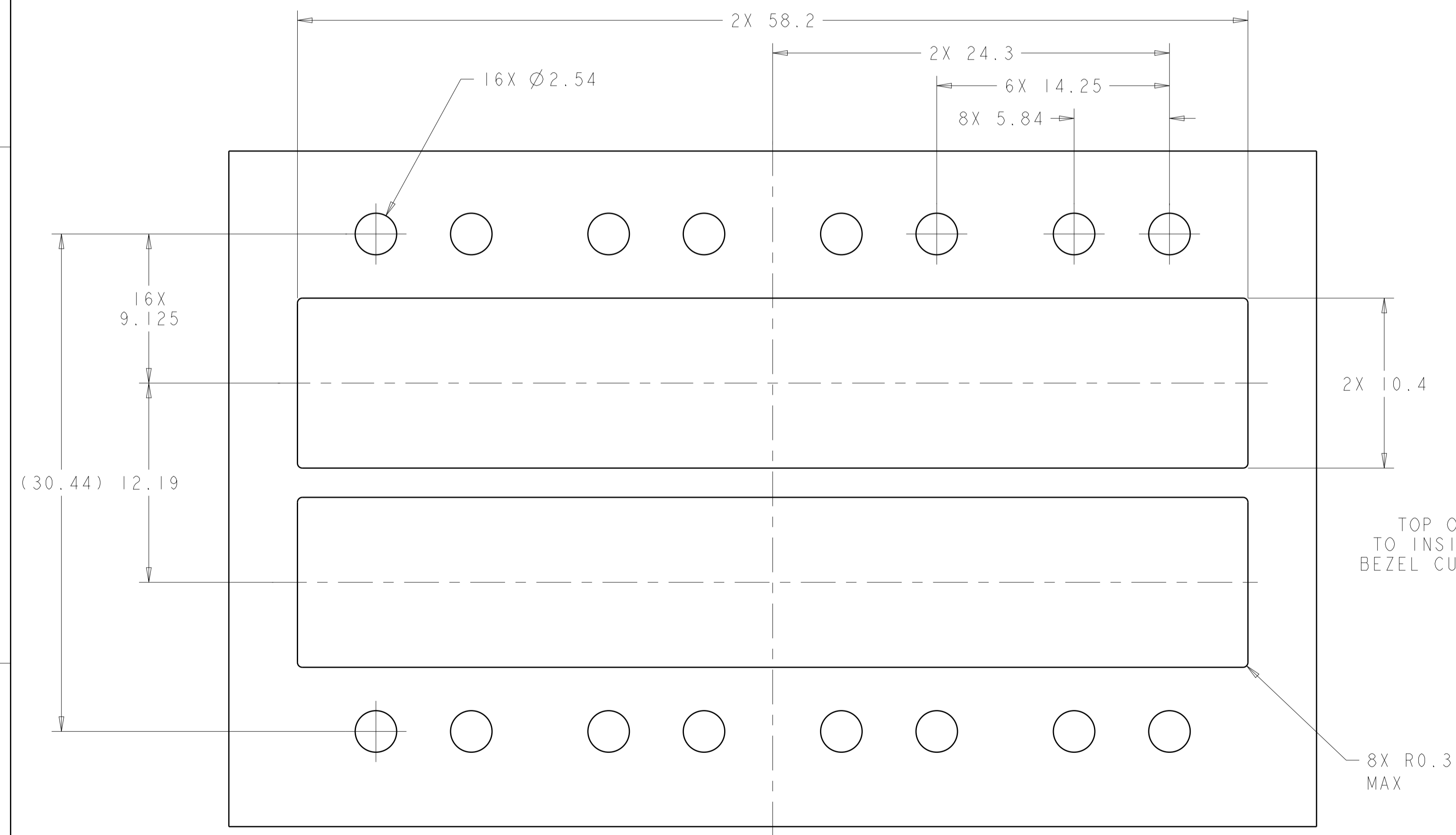
LOC	DIST	REVISIONS			
GP	00	REV	DATE	BY	APPV
-	-	SEE SHEET 1	-	-	-



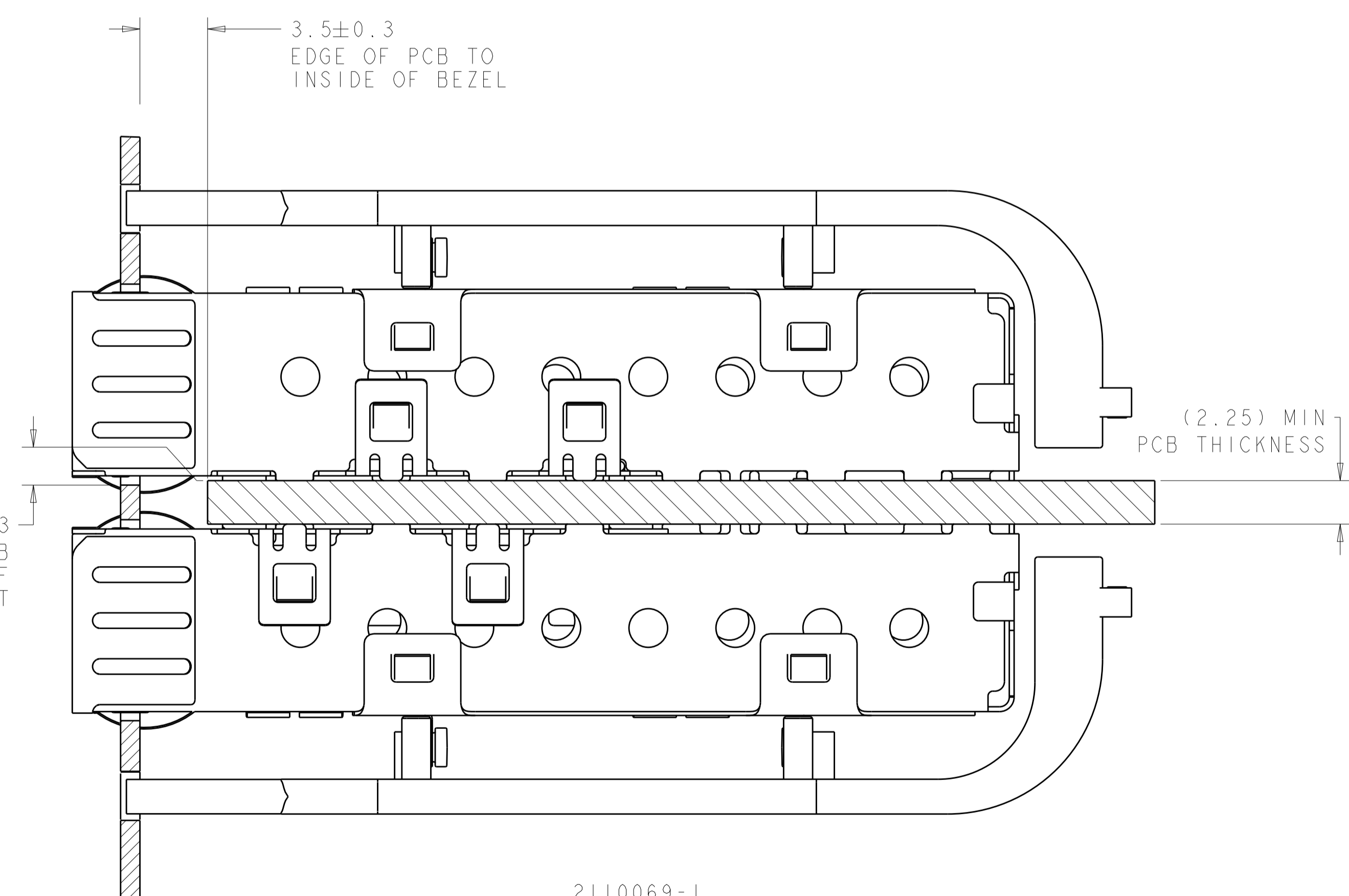
RECOMMENDED BEZEL CUT-OUT
SINGLE SIDED APPLICATIONS



2110069-1
MOUNTED ON PC BOARD
SHOWN THRU RECOMMENDED BEZEL



RECOMMENDED BEZEL CUT-OUT
BELLY TO BELLY APPLICATIONS

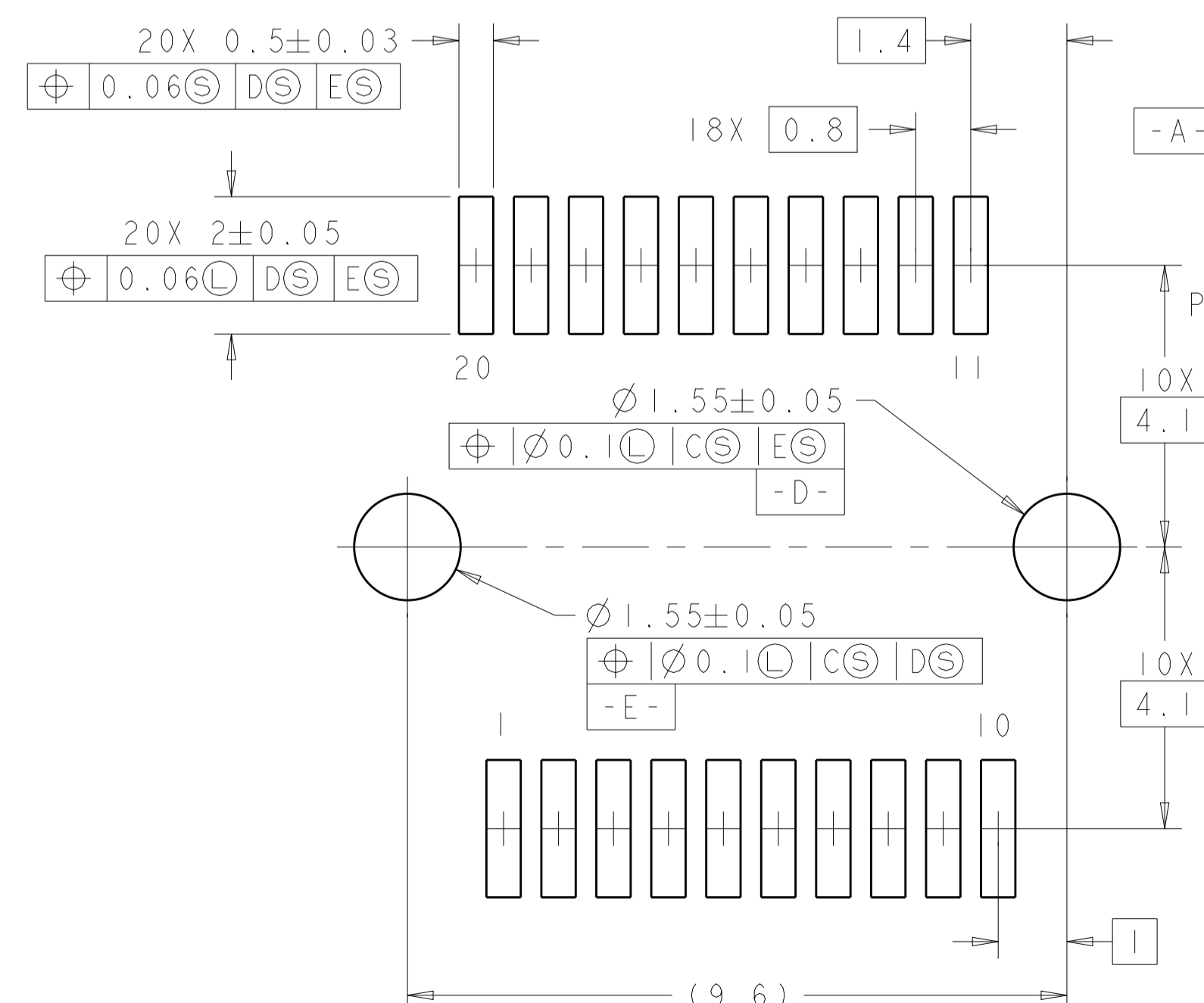
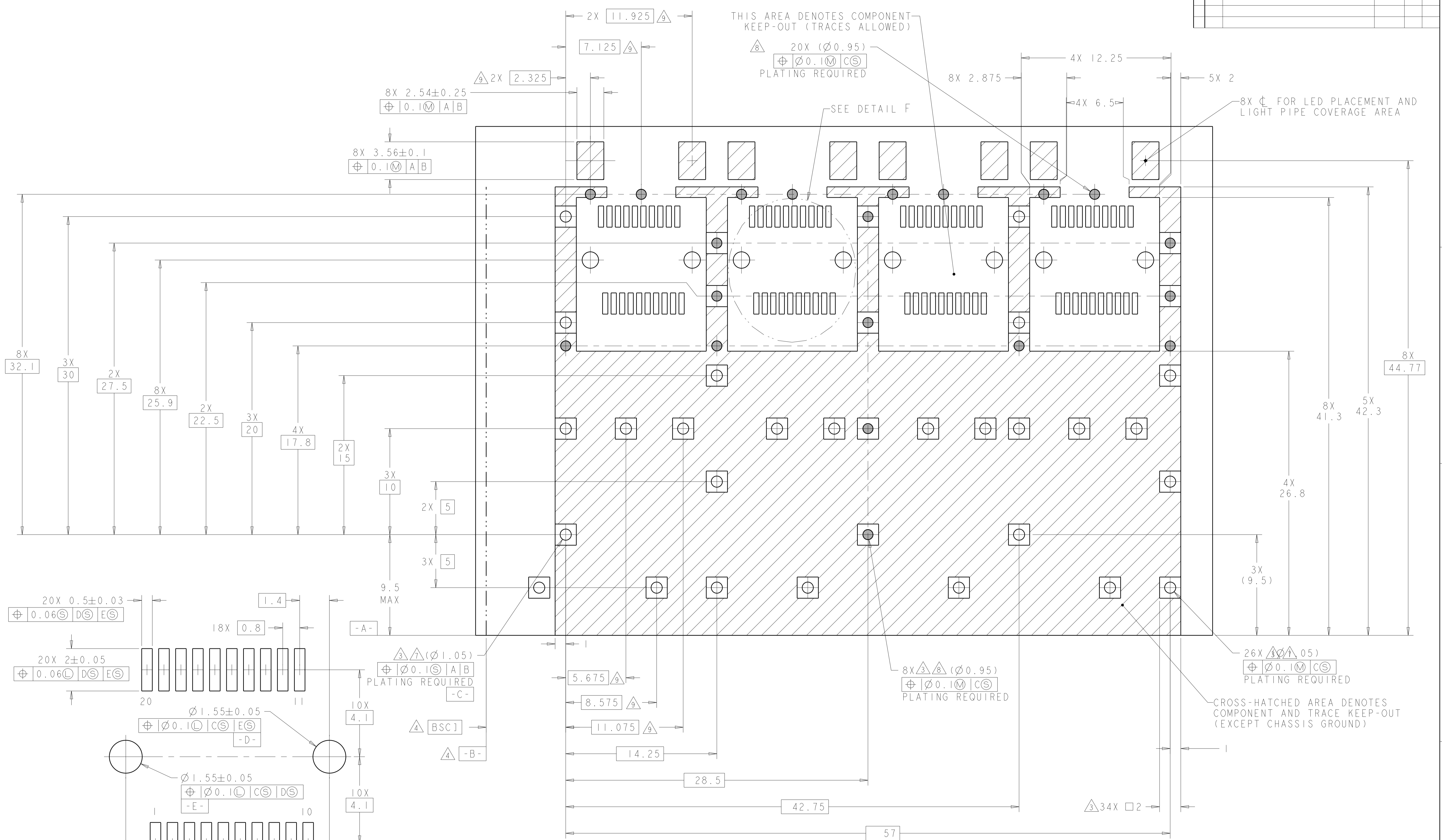


2110069-1
MOUNTED BELLY TO BELLY ON PC BOARD
SHOWN THRU RECOMMENDED BEZEL

THIS DRAWING IS A CONTROLLED DOCUMENT.		OWN: Z. M. BEAM 16JAN2009	TE Connectivity
DIMENSIONS:		CHK: M. R. SCHMITT 16JAN2009	
TOLERANCES UNLESS OTHERWISE SPECIFIED:		APPV: R. H. WERTZ 16JAN2009	
mm		NAME: SFP+ 1X4 CAGE ASSEMBLY	
0 PLC	±0.1	PRODUCT SPEC	108-2364
1 PLC	±0.1	APPLICATION SPEC	114-13120
2 PLC	±0.1	WEIGHT	-
3 PLC	±0.1	CUSTOMER DRAWING	SCALE 5:1 SHEET 2 OF 4 REV A1
4 PLC	±0.1		
ANGLES	±1°		
FINISH			

LOC	DIST	REV	DATE	BY	APPD
GP	00				

REVISIONS			
NO	DATE	DESCRIPTION	BY
-	-	SEE SHEET 1	-

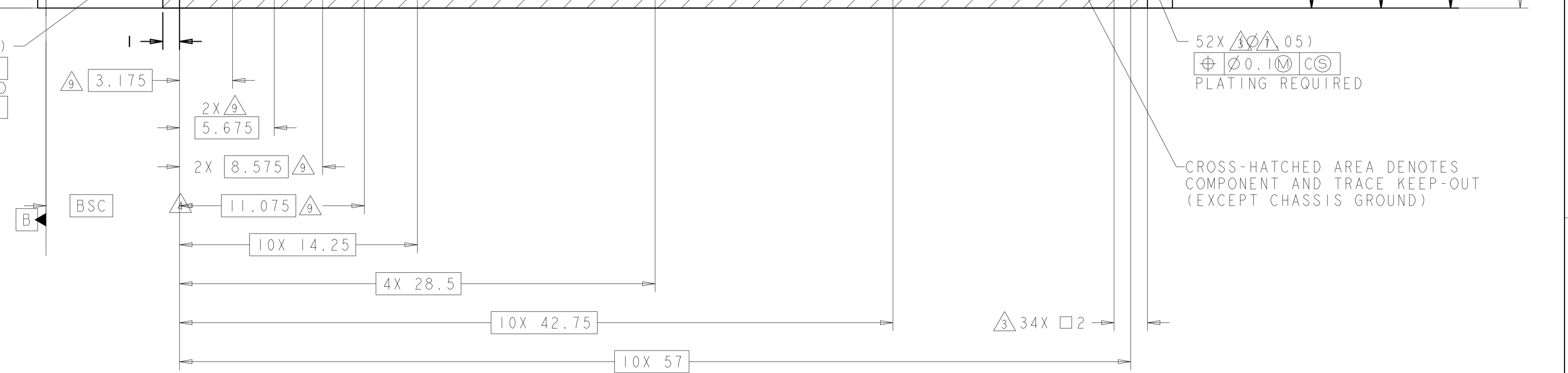
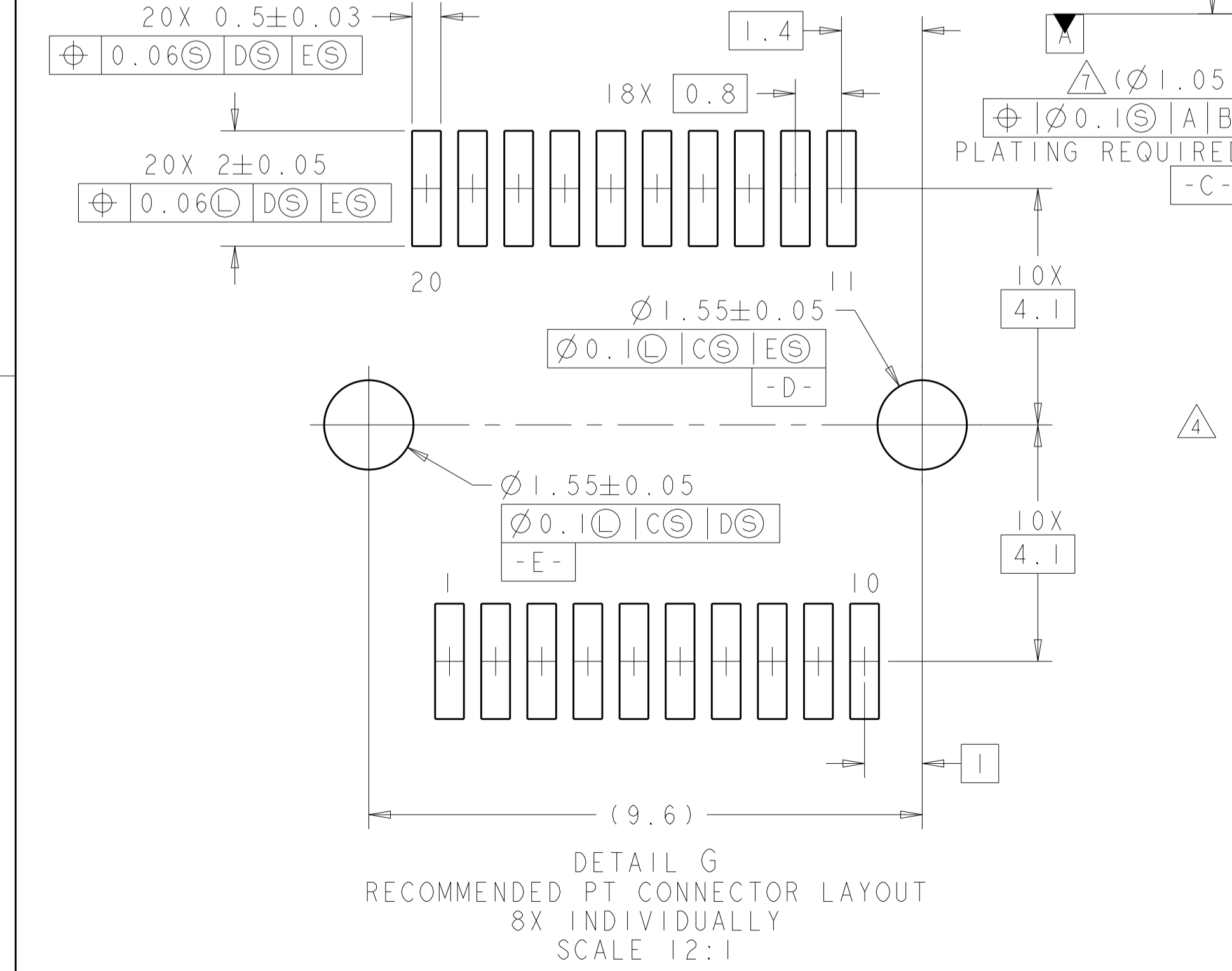
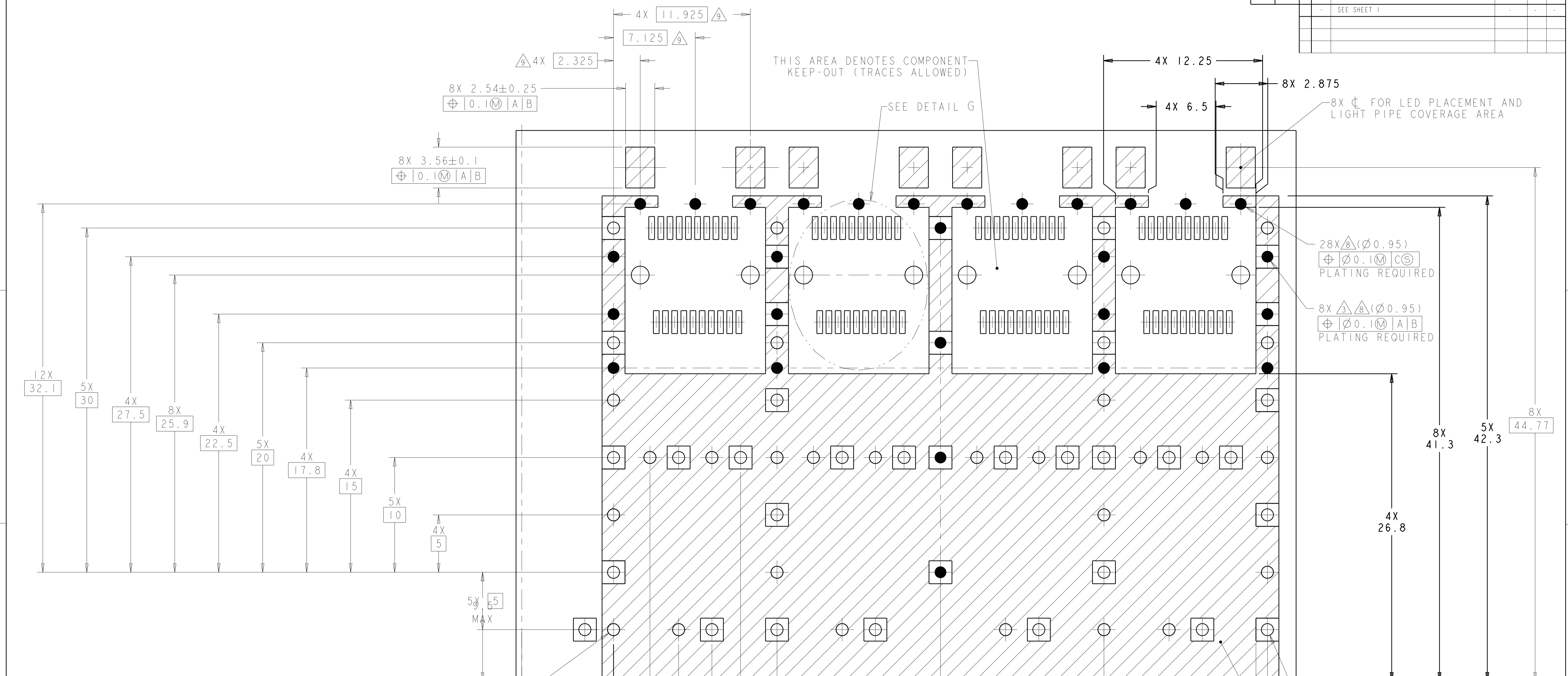


DETAIL F
RECOMMENDED PT CONNECTOR LAYOUT
4X INDIVIDUALLY
SCALE 12:1

RECOMMENDED PCB CONFIGURATION
WITH KEEP-OUT AREAS
SINGLE SIDED APPLICATIONS
SCALE 6:1

THIS DRAWING IS A CONTROLLED DOCUMENT.		OWN Z. M. REAM 16 JAN 2009	TE Connectivity NAME SFP+ 1X4 CAGE ASSEMBLY PRESS-FIT, EXTERNAL EMI SPRINGS W/ REDUCED LENGTH LIGHT PIPE
DIMENSIONS: mm		CHK M. R. SCHMITT 16 JAN 2009	
TOLERANCES UNLESS OTHERWISE SPECIFIED:		APVD B. H. WERTZ 16 JAN 2009	PRODUCT SPEC 108-2364
0 PLC ±0.1		APPLICATION SPEC	114-13120
1 PLC ±0.1		WEIGHT	A100779C=2110069
2 PLC ±0.1		CUSTOMER DRAWING	SCALE 5:1 SHEET 3 OF 4 REV A1
3 PLC ±0.1			
4 PLC ±0.1			
ANGLES ±0.1			
FINISH ±1.0*			

LOC		DIST		REVISIONS			
P	LTN	DESCRIPTION	DATE	DMN	APVD		
GP	00	SEE SHEET 1					



RECOMMENDED PCB CONFIGURATION
 WITH KEEP-OUT AREAS
 BELLY TO BELLY APPLICATIONS
 SCALE 6:1

THIS DRAWING IS A CONTROLLED DOCUMENT.		DMN Z. M. REAM 16 JAN 2009	TE Connectivity
DIMENSIONS:		CHK M. R. SCHMITT 16 JAN 2009	
TOLERANCES UNLESS OTHERWISE SPECIFIED:		APVD R. H. WERTZ 16 JAN 2009	
0 PLC ± 0.1 1 PLC ± 0.1 2 PLC ± 0.1 3 PLC ± 0.1 4 PLC ± 0.1 ANGLES ± 0.1 FINISH ± 0.05		NAME SFP+ 1X4 CAGE ASSEMBLY PRESS-FIT, EXTERNAL EMI SPRINGS W/ REDUCED LENGTH LIGHT PIPE SIZE CAGE CODE DRAWING NO 108-2364 APPLICATION SPEC 114-13120 WEIGHT CUSTOMER DRAWING	
MATERIAL:		SCALE 5:1	SHEET 4 OF 4 REV A1

单击下面可查看定价，库存，交付和生命周期等信息

[>>TE Connectivity\(泰科\)](#)