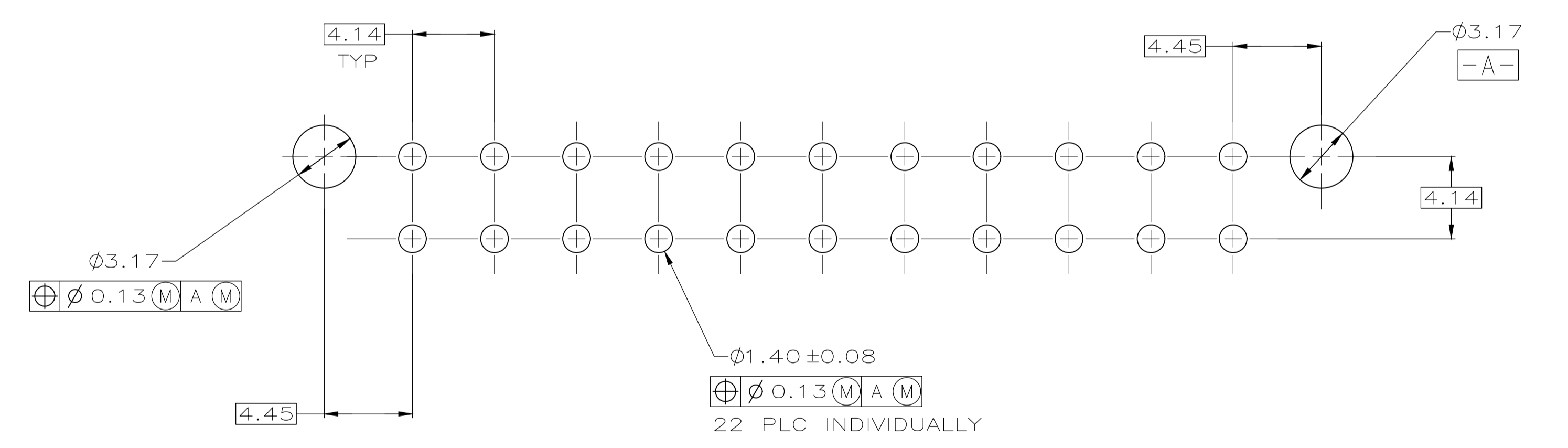
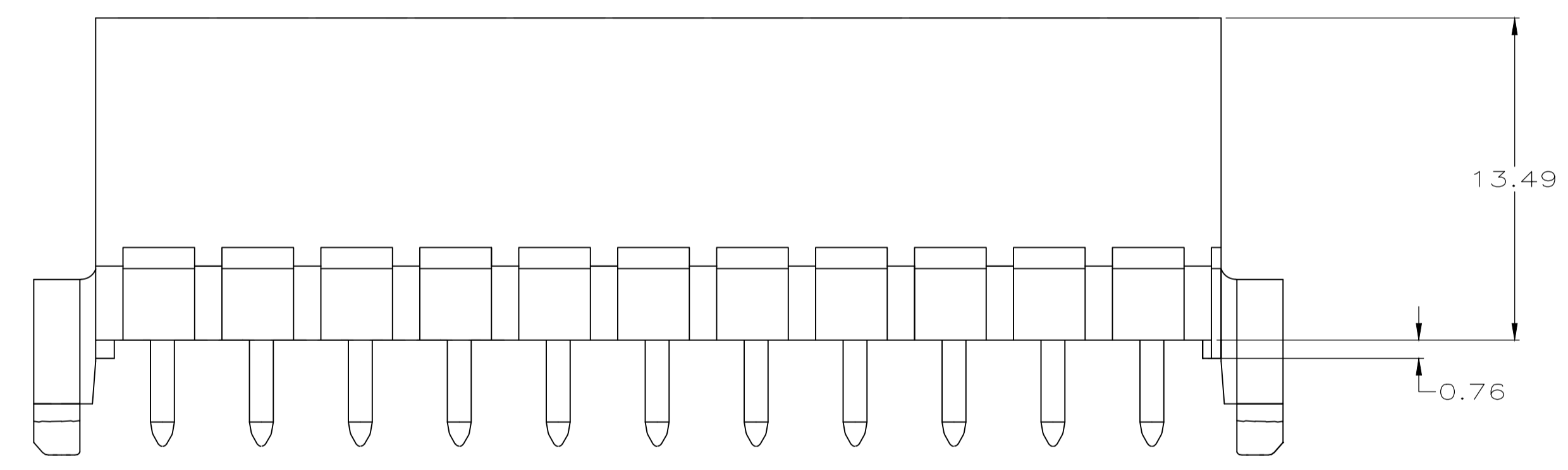
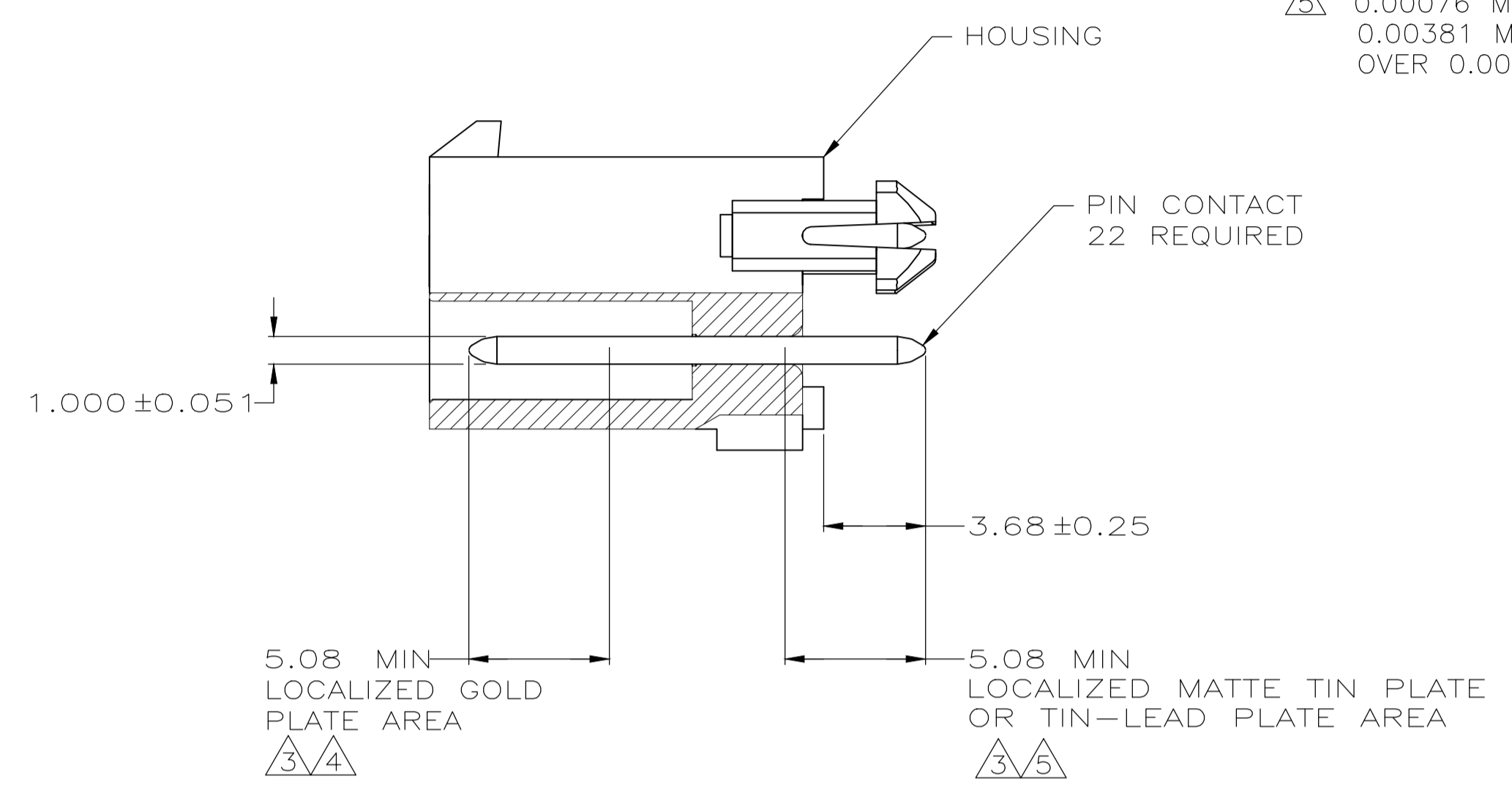
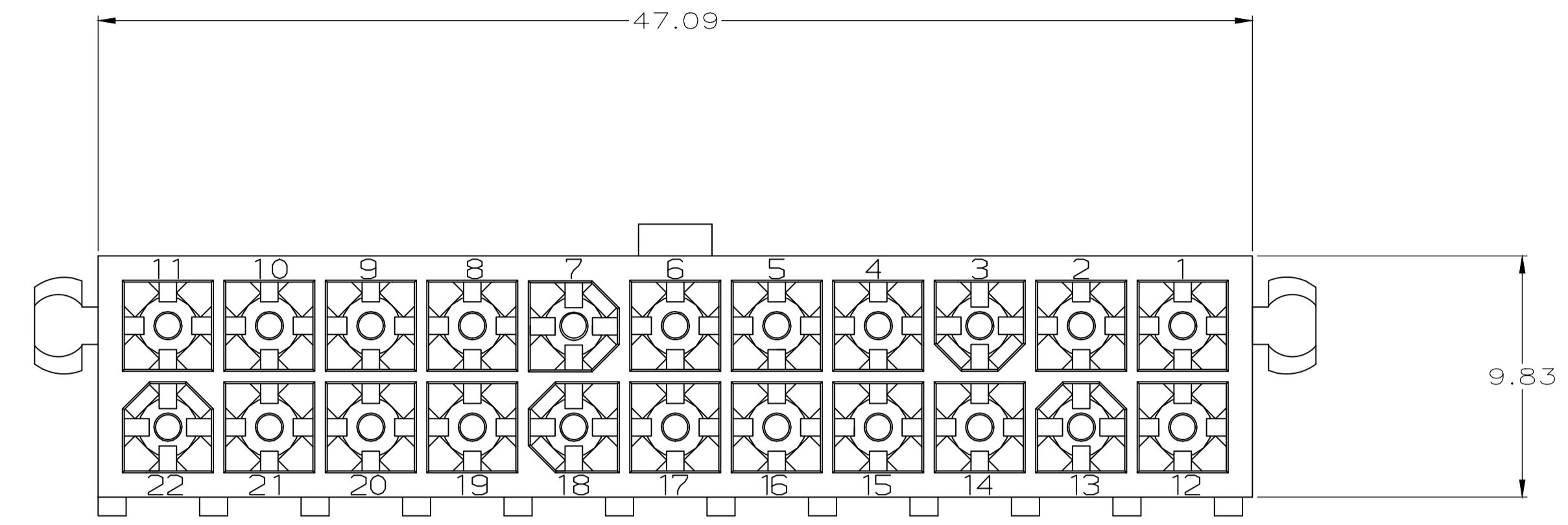
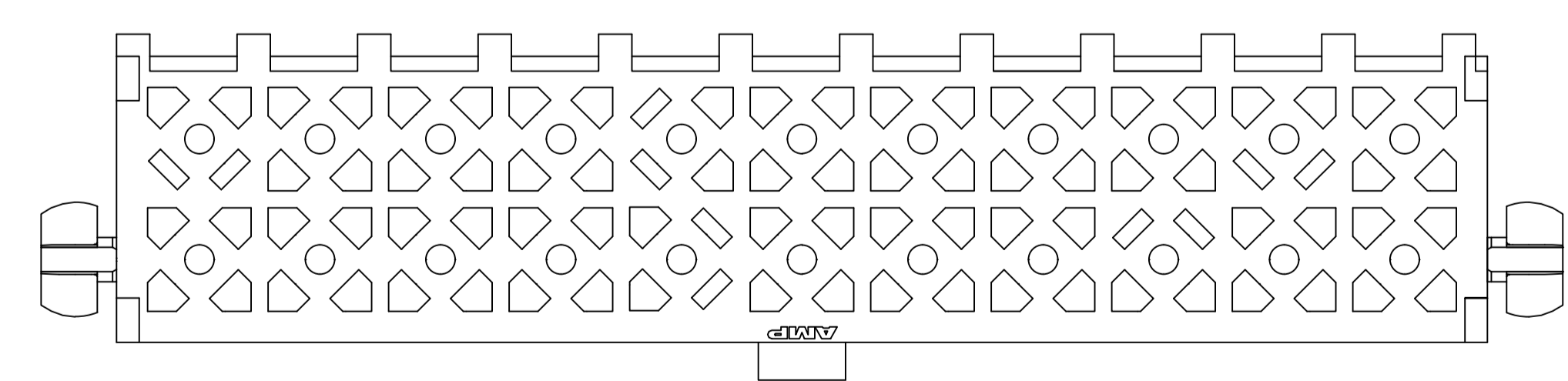


LOC		DIST		REVISIONS			
P	LTR	DESCRIPTION	DATE	DMN	APVD		
E2		REVISED PER ECR-18-005392	28NOV2018	BDA	SG		

- PINS TO COMPLY WITH AMP SOLDERABILITY SPEC. 108-11-3.
- 0.00381 MIN MATTE TIN LEAD OVER 0.00127 MIN NICKEL.
- 0.00076 MIN GOLD PLATE IN THE LOCALIZED PLATE AREA, 0.00381 MATTE TIN LEAD IN THE LOCALIZED PLATE AREA, BOTH OVER 0.00127 MIN NICKEL.
- 0.00381 MIN MATTE TIN OVER 0.00127 MIN NICKEL.
- 0.00076 MIN GOLD PLATE IN THE LOCALIZED PLATE AREA, 0.00381 MATTE TIN IN THE LOCALIZED PLATE AREA, BOTH OVER 0.00127 MIN NICKEL.



RECOMMENDED MOUNTING HOLE PATTERN FOR 1.57 THICK P.C. BOARD



	BRASS, GOLD	NYLON, 94V-0, WHITE	1-794071-1
	BRASS, TIN	NYLON, 94V-0, WHITE	1-794071-0
OBSOLETE	BRASS, GOLD	NYLON, 94V-0, WHITE	-794071-2-
OBSOLETE	BRASS, TIN LEAD	NYLON, 94V-0, WHITE	-794071-1-
PIN CONTACT MATERIAL AND FINISH		HOUSING MATERIAL AND COLOR	PART NUMBER

THIS DRAWING IS A CONTROLLED DOCUMENT.

DIMENSIONS: mm	TOLERANCES UNLESS OTHERWISE SPECIFIED:	0 PLC ± -	1 PLC ± -	2 PLC ± 0.13	3 PLC ± -	4 PLC ± -	ANGLES ± -
MATERIAL SEE TABLE	FINISH SEE TABLE	WEIGHT	SIZE A1	SCALE 5:1	CAGE CODE 00779	DRAWING NO. 794071	RESTRICTED TO

CUSTOMER DRAWING

DATE: 6-09-95  
 CHK: R. SWING  
 APVD: R. ORSTAD  
 NAME: R. ORSTAD  
 PRODUCT SPEC: -  
 APPLICATION SPEC: -  
 WEIGHT: -  
 SCALE: 5:1  
 SHEET: 1 OF 1  
 REV: E2

**STE** TE Connectivity  
 HEADER ASSEMBLY, 22 CIRCUIT, DOUBLE ROW VERTICAL, MINI-UNIVERSAL MATE-N-LOK

单击下面可查看定价，库存，交付和生命周期等信息

[>>TE Connectivity\(泰科\)](#)